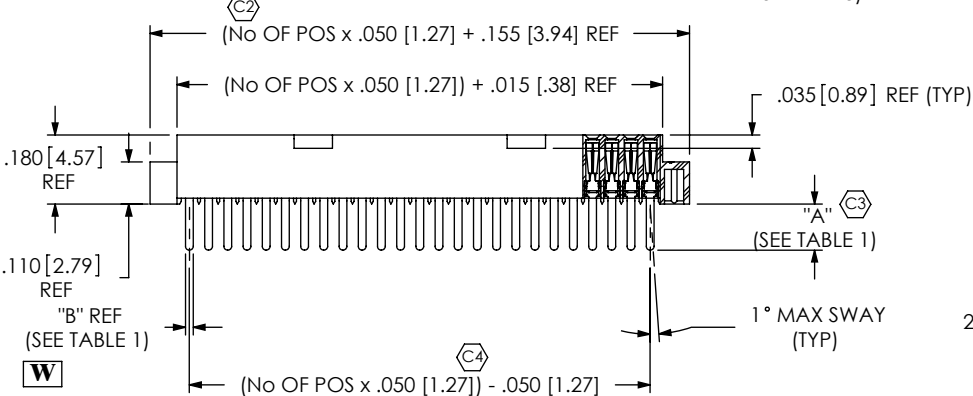
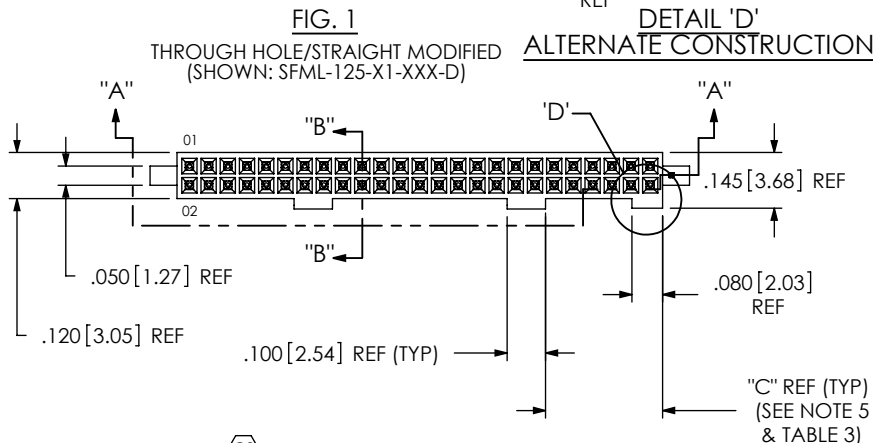
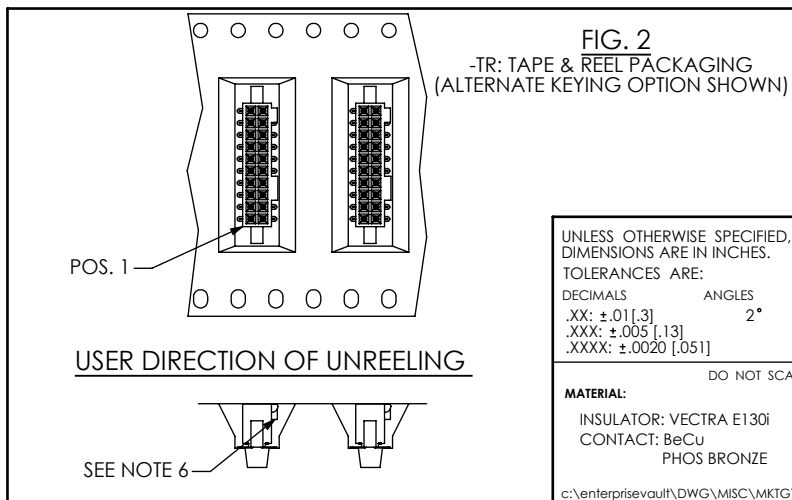


TABLE 1		
STYLE	"A"	"B"
-X1	.120 [3.05]	.020 [.51]
-X3	.075 [1.91]	.016 [.41]

DO NOT SCALE FROM THIS PRINT



SECTION "A"-"A"



SFML-1XX-XX-XXX-D-XX

No OF POSITIONS
-05, -10 THRU -50
(PER ROW)

LEAD STYLE

- 01: THROUGH HOLE (USE C-44-01-XXX, SEE FIG 1, SHT 1)
- 02: SURFACE MOUNT (USE C-44-02-XXX, SEE FIG 3, SHT 2)
- 03: STRAIGHT MODIFIED (USE C-44-03-XXX, SEE FIG 1, SHT 1)
- L1: THROUGH HOLE (LOW INSERTION) (USE C-61-01-XXX, SEE FIG 1, SHT 1)
- L2: SURFACE MOUNT (LOW INSERTION) (USE C-61-02-XXX, SEE FIG 3, SHT 2)
- L3: STRAIGHT MODIFIED (LOW INSERTION) (USE C-61-03-XXX, SEE FIG 1, SHT 1)
- T1: THROUGH HOLE (PHOS BRONZE) (USE C-119-01-XXX, SEE FIG 1, SHT 1)
- T2: SURFACE MOUNT (PHOS BRONZE) (USE C-119-02-XXX, SEE FIG 3, SHT 2)

OPTIONS

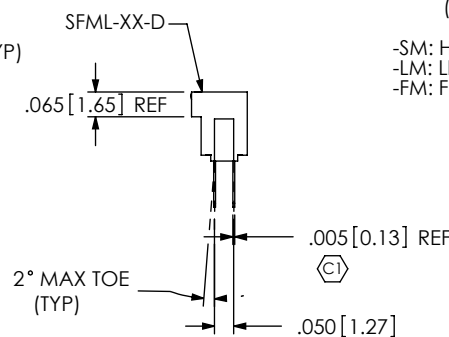
- (LEAVE BLANK FOR STANDARD AND USE SFML-XX-D)
- A: ALIGNMENT PIN (USE SFML-XX-D-A) (SEE FIG 5, SHT 3)
- LC: LOCKING CLIP (SEE FIG 7, SHT 3) (USE (2) LC-05-TM & SFML-XX-D)
- P: PICK & PLACE PAD (SEE FIG 6, SHT 3) (USE PPP-02)
- TR: TAPE & REEL PACKAGING (SEE FIG 2, SHT 1)
- K: POLYIMIDE FILM PAD (USE K-500-300) (SEE FIG.4, SHT. 2)
- SN: SOLDER NAIL (USE SFML-XX-D-SN & WT-27-01-T) (SEE FIG 8, SHT 4) (AVAILABLE ON -X2 LEAD STYLES ONLY)

ROW SPECIFICATION

- D: DOUBLE ROW (USE SFML-XX-D-X)

PLATING SPECIFICATION

- S: SELECTIVE
- P: GOLD FLASHED PALLADIUM NICKEL
- F: FLASH SELECTIVE GOLD
- H: HEAVY GOLD
- L: LIGHT SELECTIVE GOLD
- STL: SELECTIVE GOLD/TIN-LEAD (ONLY AVAILABLE ON -02 AND -L2 LEADSTYLES)
- SM: HEAVY SELECTIVE GOLD, MATTE TIN TAIL
- LM: LIGHT SELECTIVE GOLD, MATTE TIN TAIL
- FM: FLASH SELECTIVE GOLD, MATTE TIN TAIL



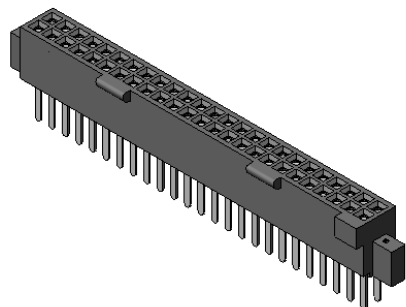
SECTION "B"-"B"

NOTES:

1. C_1 REPRESENTS A CRITICAL DIMENSION.
2. COPLANARITY: .004 [0.10] FOR POS. 10 THRU 26
.006 [0.15] FOR POS. 27 THRU 50
3. MINIMUM PUSHOUT FORCE: .5 LB.
4. MAXIMUM ALLOWABLE BOW: .002 INCH/INCH [MM/MM] AFTER ASSEMBLY.
5. POSITIONS -05 WILL HAVE ONLY ONE CLIP AT DIMENSION SHOWN AND WILL NOT HAVE POLARIZATION NOTCH;
POSITIONS -10 THROUGH -24 WILL HAVE ONLY ONE CLIP AT DIMENSION SHOWN;
POSITIONS -25 THROUGH -34 WILL HAVE TWO CLIPS AT DIMENSION SHOWN;
POSITIONS -35 THROUGH -50 WILL HAVE THREE CLIPS: TWO AT DIMENSION SHOWN & ONE CENTERED ON INSULATOR.
6. SEE NOTCH FOR PROPER ORIENTATION.
7. PINS CAN BE ORIENTED IN ANY DIRECTION; BOTH ROWS MUST FACW SAME WAY.
8. MAXIMUM PIN HEIGHT VARIATION BETWEEN ANY TWO ROWS: .003[.08].
9. TUBE PARTS WITH NOTCH TOWARD ARROW.

TABLE 3 (SEE NOTE 5)

NO OF POS.	"C"
-05	.080
-10 THRU -50	.305



UNLESS OTHERWISE SPECIFIED, DIMENSIONS ARE IN INCHES. TOLERANCES ARE:
DECIMALS ANGLES
.XX: ±.01 [.3]
.XXX: ±.005 [.13]
.XXXX: ±.0020 [.051]

PROPRIETARY NOTE

THIS DOCUMENT CONTAINS INFORMATION CONFIDENTIAL AND PROPRIETARY TO SAMTEC, INC. AND SHALL NOT BE REPRODUCED OR TRANSFERRED TO OTHER DOCUMENTS OR DISCLOSED TO OTHERS OR USED FOR ANY PURPOSE OTHER THAN THAT WHICH IT WAS OBTAINED WITHOUT THE EXPRESSED WRITTEN CONSENT OF SAMTEC, INC.



520 PARK EAST BLVD. NEW ALBANY, IN 47150
PHONE: 812-944-6733 FAX: 812-948-5047
e-Mail: info@SAMTEC.com code: 53322

DO NOT SCALE DRAWING

SHEET SCALE: 2:1

MATERIAL:
INSULATOR: VECTRA E130I
CONTACT: BeCu
PHOS BRONZE

DESCRIPTION:
.050 [1.27] x .050 [1.27] LOCKING SOCKET ASSEMBLY

DWG. NO.
SFML-1XX-XX-XXX-D-XX

BY: BRATCHER 4/19/99

SHEET 1 OF 4

FIG. 3
 -X2: SURFACE MOUNT
 (SAME AS FIG. 1, UNLESS OTHERWISE STATED)

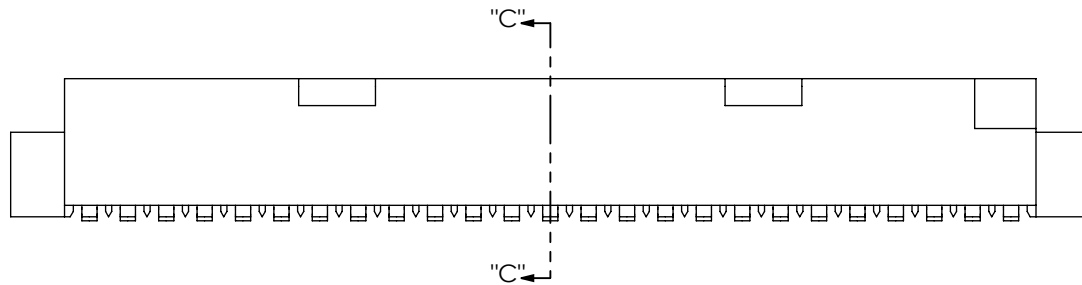
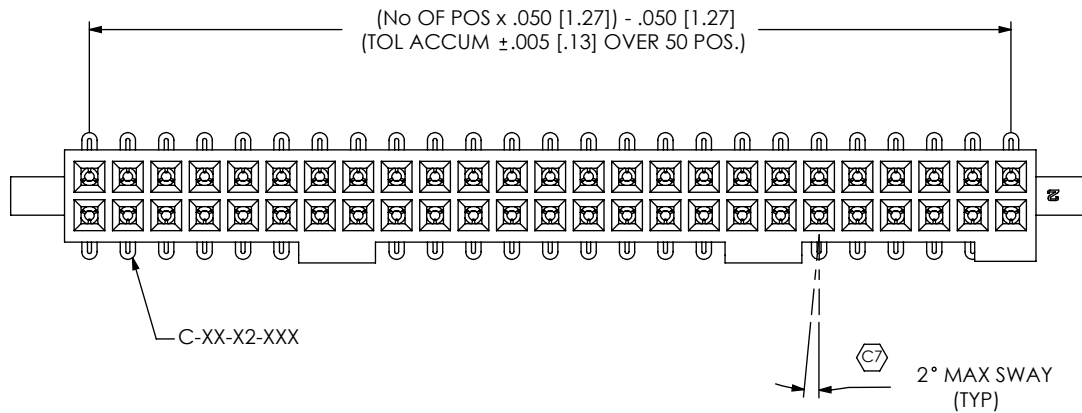
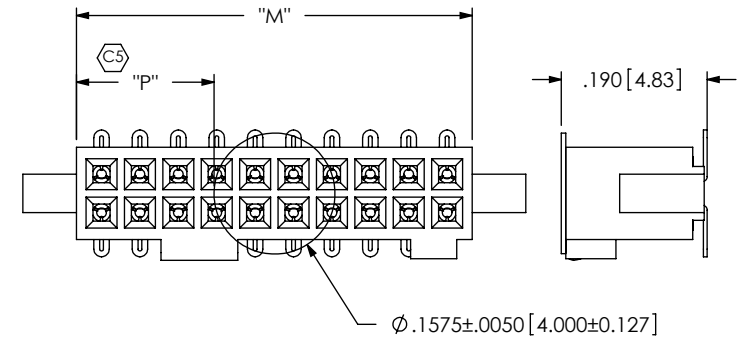
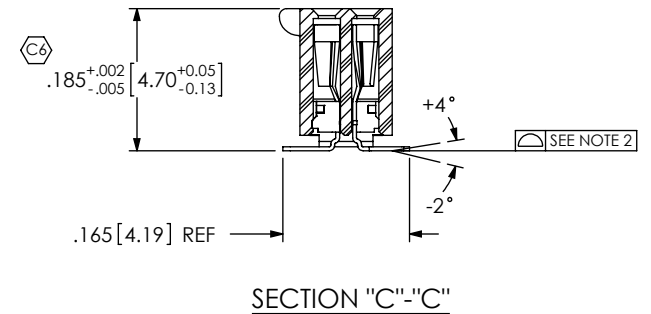


FIG. 4
 -K: POLYIMIDE FILM PAD OPTION
 (SHOWN: SFML-110-X2-X-D-K)
 (ALTERNATE CONSTRUCTION SHOWN)



NOTE:
 "M" = USED MEASURED DIMENSION (REF)
 "P" = {"M" - .1575 [4.000]} / 2 ± .020 [.51]



c:\enterprisevault\DWG\MISC\MKTG\SFML-1XX-XX-XXX-D-XX-MKT.SLDDRW


<p>PROPRIETARY NOTE THIS DOCUMENT CONTAINS INFORMATION CONFIDENTIAL AND PROPRIETARY TO SAMTEC, INC. AND SHALL NOT BE REPRODUCED OR TRANSFERRED TO OTHER DOCUMENTS OR DISCLOSED TO OTHERS OR USED FOR ANY PURPOSE OTHER THAN THAT WHICH IT WAS OBTAINED WITHOUT THE EXPRESSED WRITTEN CONSENT OF SAMTEC, INC.</p> <p>DO NOT SCALE DRAWING</p> <p>SHEET SCALE: 4:1</p>		
	<p>520 PARK EAST BLVD, NEW ALBANY, IN 47150 PHONE: 812-944-6733 FAX: 812-948-5047 e-Mail: info@SAMTEC.com code: 55322</p>	
	<p>DESCRIPTION: .050 [1.27] x .050 [1.27] LOCKING SOCKET ASSEMBLY</p>	
	<p>DWG. NO. SFML-1XX-XX-XXX-D-XX</p>	
	<p>BY: BRATCHER 4/19/99</p>	<p>SHEET 2 OF 4</p>

FIG. 5

-A: ALIGNMENT PIN OPTION
(SAME AS FIG. 1, UNLESS OTHERWISE STATED)
(ALTERNATE CONSTRUCTION SHOWN)

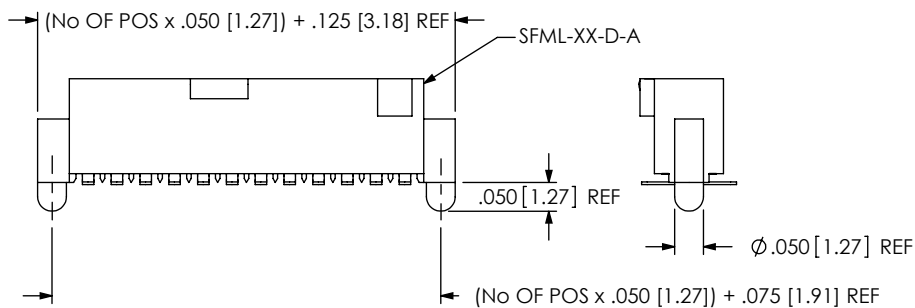


FIG. 6

-P: PICK & PLACE PAD OPTION
(SAME AS FIG. 1, UNLESS OTHERWISE STATED)
(ALTERNATE CONSTRUCTION SHOWN)

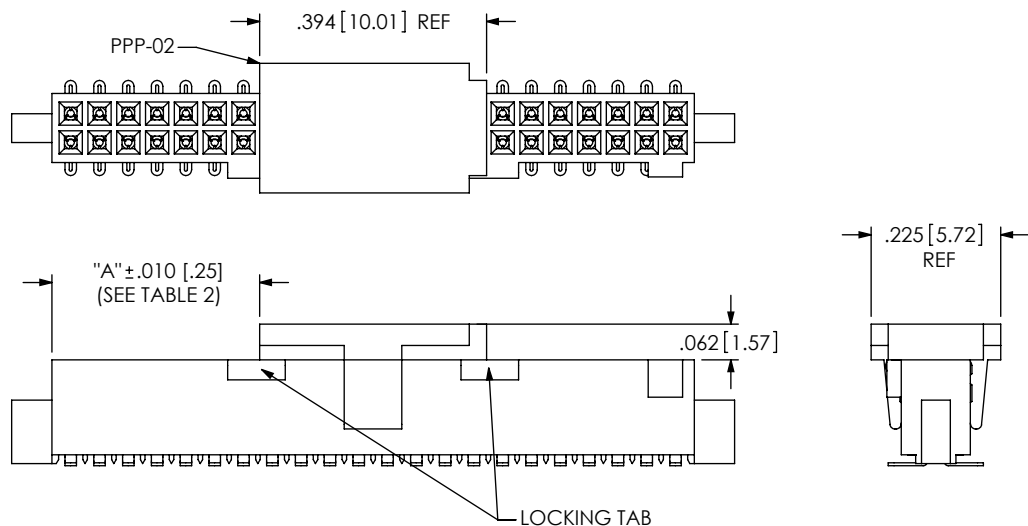
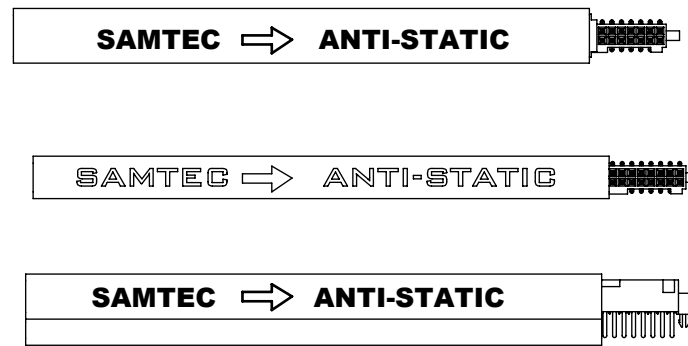
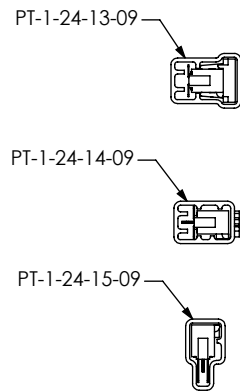


TABLE 2

POS.	"A"
-35 AND ABOVE (ODD)	{{(No OF POS x .050 [1.27]) / 2} -.2895 [7.353]}
EVEN ABOVE -34	{{(No OF POS x .050 [1.27]) / 2} -.3145 [7.989]}
ODD ABOVE -19	{{(No OF POS x .050 [1.27]) / 2} -.1895 [4.813]}
EVEN ABOVE -18	{{(No OF POS x .050 [1.27]) / 2} -.2145 [5.448]}
-10	.086 [2.18]
-11	.136 [3.45]
-12	.186 [4.72]
-13	.236 [5.99]
-14	.286 [7.26]
-15	.086 [2.18]
-16	.136 [3.45]
-17	.186 [4.72]
-18	.236 [5.99]
-19	.286 [7.26]

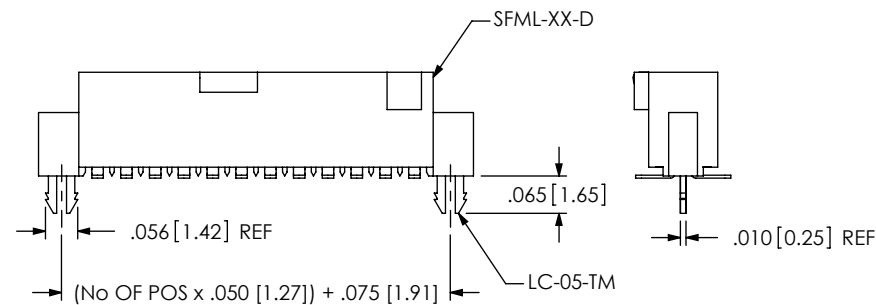
PACKAGE PARTS IN TUBES AS SHOWN
(SEE NOTE 9)



LEAD STYLE	PACKAGING TUBE	PLUG
-X1-X, -X3-X (NO PAD)	PT-1-24-15-09	TP-24-02
-X1-X-P (W/ P&P PAD)	PT-1-24-02-17	TP-09
-X2-X (NO P&P PAD)	PT-1-24-14-09	TP-24-02
-X2-X-P, -X3-X-P (W/ P&P PAD)	PT-1-24-13-09	TP-24
-X1-K	PT-1-24-13-09	TP-24
-X2-K	PT-1-24-14-09	TP-24-02

FIG. 7

-LC: LOCKING CLIP OPTION
(SAME AS FIG. 1, UNLESS OTHERWISE STATED)
(ALTERNATE CONSTRUCTION SHOWN)



c:\enterprisevault\DWG\MISC\WKTG\SFML-1XX-XX-XXX-D-XX-MKT.SLDRW

PROPRIETARY NOTE

THIS DOCUMENT CONTAINS INFORMATION CONFIDENTIAL AND PROPRIETARY TO SAMTEC, INC. AND SHALL NOT BE REPRODUCED OR TRANSFERRED TO OTHER DOCUMENTS OR DISCLOSED TO OTHERS OR USED FOR ANY PURPOSE OTHER THAN THAT WHICH IT WAS OBTAINED WITHOUT THE EXPRESSED WRITTEN CONSENT OF SAMTEC, INC.

DO NOT SCALE DRAWING

SHEET SCALE: 3:1



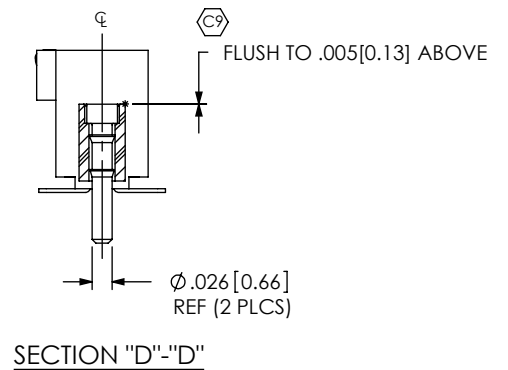
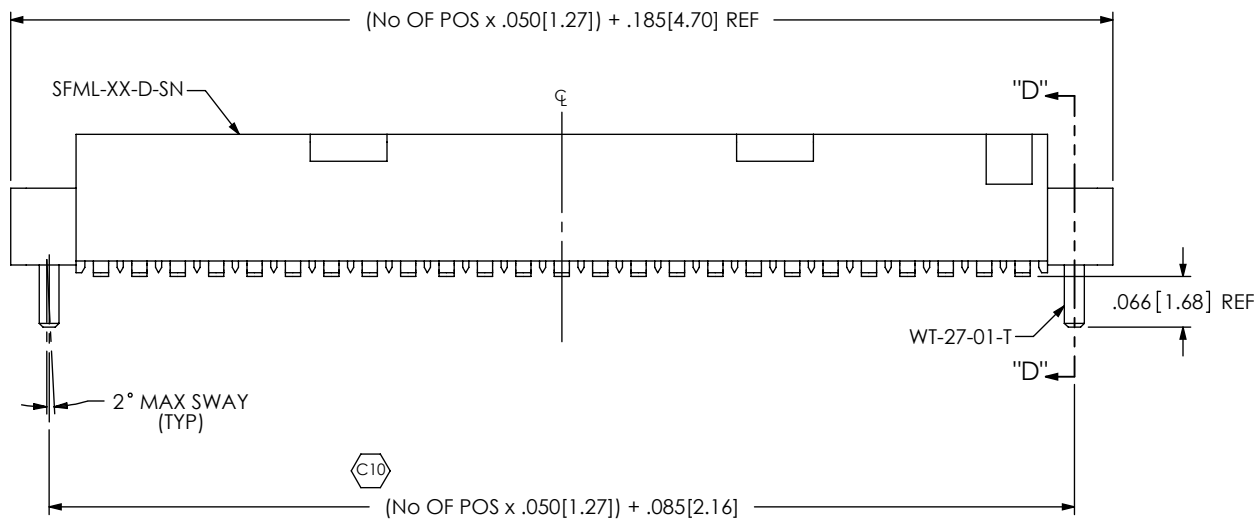
520 PARK EAST BLVD. NEW ALBANY, IN 47150
PHONE: 812-944-6733 FAX: 812-948-5047
e-Mail: info@SAMTEC.com code: 53322


DESCRIPTION:
.050 [1.27] x .050 [1.27] LOCKING SOCKET ASSEMBLY

DWG. NO.
SFML-1XX-XX-XXX-D-XX

BY: BRATCHER 4/19/99 SHEET 3 OF 4

FIG. 8
 -SN: SOLDER NAIL OPTION
 (SHOWN: SFML-125-02-XXX-D-SN
 (SAME AS FIG. 1, UNLESS OTHERWISE STATED)
 (ONLY AVAILABLE ON -X2 LEAD STYLES)



<p>PROPRIETARY NOTE THIS DOCUMENT CONTAINS INFORMATION CONFIDENTIAL AND PROPRIETARY TO SAMTEC, INC. AND SHALL NOT BE REPRODUCED OR TRANSFERRED TO OTHER DOCUMENTS OR DISCLOSED TO OTHERS OR USED FOR ANY PURPOSE OTHER THAN THAT WHICH IT WAS OBTAINED WITHOUT THE EXPRESSED WRITTEN CONSENT OF SAMTEC, INC.</p> <p>DO NOT SCALE DRAWING</p> <p>SHEET SCALE: 4:1</p>		
	<p>520 PARK EAST BLVD., NEW ALBANY, IN 47150 PHONE: 812-944-6733 FAX: 812-948-5047 e-Mail: info@SAMTEC.com code: 55322</p>	
	<p>DESCRIPTION: .050 [1.27] x .050 [1.27] LOCKING SOCKET ASSEMBLY</p>	
	<p>DWG. NO. SFML-1XX-XX-XXX-D-XX</p>	
<p>BY: BRATCHER 4/19/99</p>		<p>SHEET 4 OF 4</p>