

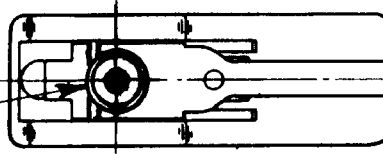


MICRO SWITCH
 FREEPORT ILLINOIS
 A DIVISION OF HONEYWELL
 FED. MFG. CODE 91929

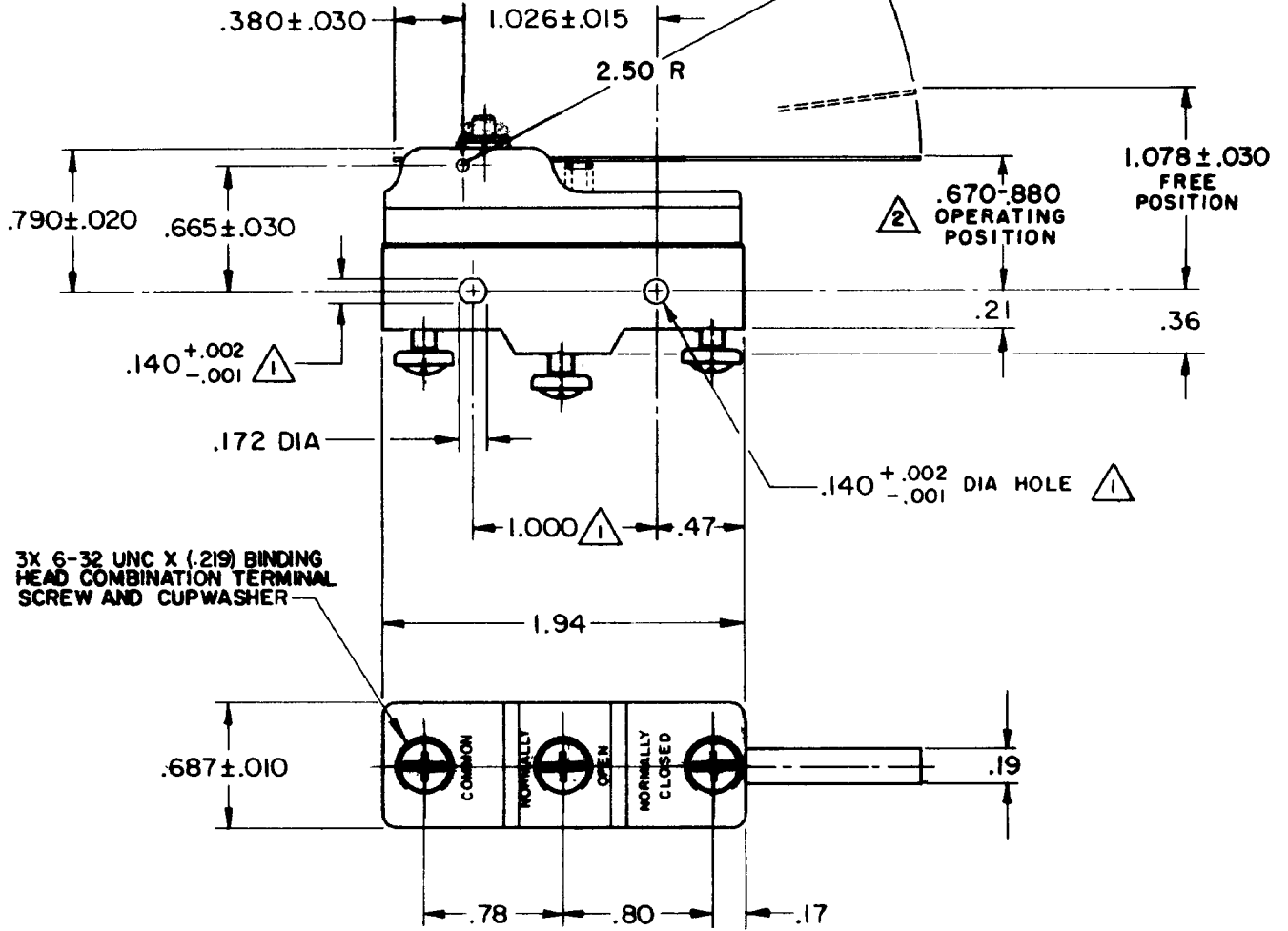
SWITCH - BASIC

CATALOG LISTING
BZ-2RW899-A2

MOLDED NUT WITH SELF
 LOCKING 6-32 UNC THREAD
 X .250 LONG ADJUSTING
 SCREW WITH .062 HEX
 SOCKET



CORROSION RESISTANT
 STEEL LEVER



3X 6-32 UNC X (.219) BINDING
 HEAD COMBINATION TERMINAL
 SCREW AND CUPWASHER

NOTES

- ① MOUNTING HOLES WILL ACCEPT PINS OR SCREWS OF .139 MAX DIA ON 1.000±.002 CENTERS
- ② ADJUSTING SCREW PERMITS ADJUSTMENT OF OPERATING POSITION THROUGH RANGE INDICATED
- ③ DO NOT OVERTRAVEL MORE THAN .345 FROM ANY OPERATING POSITION TO PROVIDE OPTIMUM MECHANICAL LIFE

THIS DRAWING COVERS A PROPRIETARY ITEM AND IS THE PROPERTY OF MICRO SWITCH, A DIVISION OF MINNEAPOLIS-HONEYWELL REGULATOR CO. THIS DRAWING IS NOT TO BE COPIED OR USED WITHOUT THE APPROVAL OF MICRO SWITCH.

CHARACTERISTICS	
OPERATING FORCE	----- 2 1/2 OZ MAX
RELEASE FORCE	----- 1/2 OZ MIN
DIFFERENTIAL TRAVEL	----- .007 - .050
OVERTRAVEL	----- ③ .125 MIN FROM .670 OPERATING POSITION

ELECTRICAL DATA	
CONTACT ARRANGEMENT S P D T	
UNDERWRITERS' LAB. INC. LISTED RATINGS	
-L96-	15A-125, 250, OR 480 VAC
	1/2 A-125 VDC; 1/4 A-250 VDC
	1/8 HP-125 VAC; 1/4 HP-250 VAC
-L288-	
-L299-	
-L306-	
	16A 250V ~ T85 5E4

SCALE FULL	
DO NOT SCALE PRINT	
UNLESS OTHERWISE SPECIFIED DIMENSIONS ARE IN INCHES	
TOLERANCES ARE:	
ONE PLACE (.0)	±.030
TWO PLACE (.00)	±.015
THREE PLACE (.000)	±.005
ANGLES	±
WEIGHT	

DRAWING NUMBER **BZ-2RW899-A2**
 PAGE 1 OF 1
 ISSUE **M**
 10
 REVISIONS
 A CO 16736
 GCH 14 JUNE 62
 B CO20813
 MBF 14 DEC 65
 C CO 23772
 SH 19 SEPT 74
 D CO 13287-E
 SHD 5 OCT 95
 E CO-77589
 MAM 29 MAR 94
 F CO-82020-B
 DLT 12 MAR 96
 G CO93346
 DLT 14 SEP 98
 H CO-95815-A
 JJA 18 JAN 00
 CHECK 15 JUNE 62
 CHECK 14 JUNE 62
 CHECK 14 JUNE 62
 DRAWN DAW
 FORMTEK FO-80378