

# LED-Rotating light element 644

(provisional technical data sheet)

WERMA Signaltechnik  
 GmbH + Co. KG  
 Dürbheimer Straße 15  
 D-78604 Rietheim-Weilheim  
 Phone 0049/7424/9557-0  
 Fax 0049/7424/9557-44

### Electrical specifications:

Operating voltage: Unenn = 24V  
 Current at make: < 0,5A to 24V  
 Current consumption: (70mA DC)  
 Number of revolutions: approx. 120 r.p.m.

### Mechanical specifications:

Material: Polycarbonate  
 Seal: premounted with each element

### Further specification:

Working life: 100.000 h  
 Weight: approx. 68g  
 Working Temperature: ta -20°C up to +50°C  
 Protection rating: IP65 when mounted or with cover cap

### Order-No.:

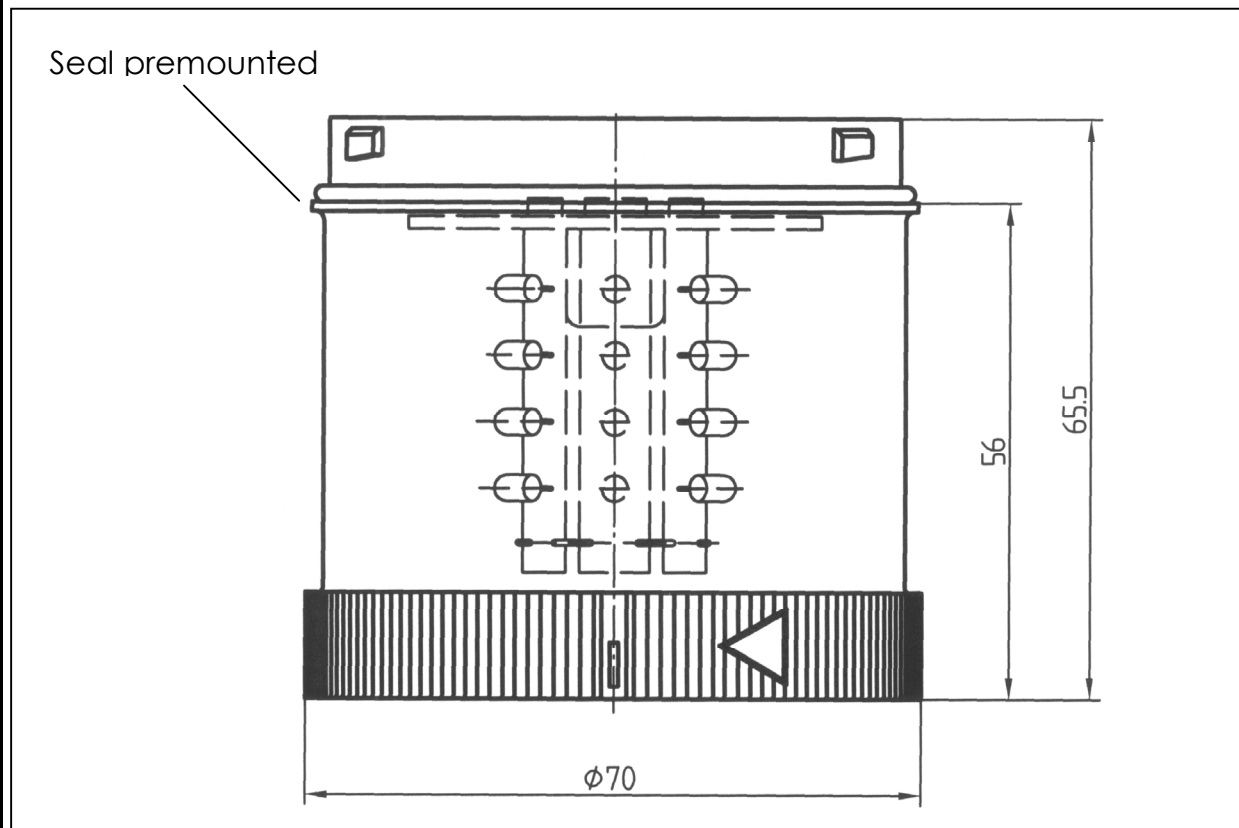
644 X30 75 LED-Rotating light element 24V AC/DC

X 1 = red 2 = green 3 = yellow 4 = clear 5 = blue

### Regulations:

Conform to current EC regulations. UL-listed.

*All specifications refer to Unenn and room temperature!*



	Drawn up	proved	released	Data-sheet-No.
Name	E.Degen	S. Rudischhauser	H. Elsässer	<b>000 644 503</b>
Date	2002-04-11	2002-04-11	2002-04-11	Page 1 of 1