

multicomp[®]

SPECIFICATION AND APPROVALS

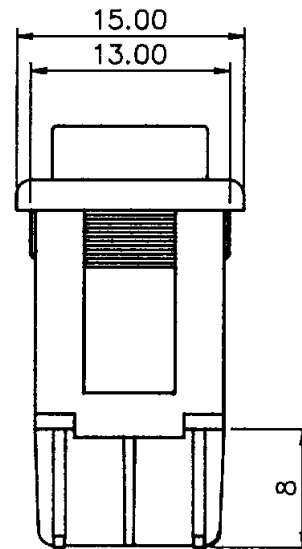
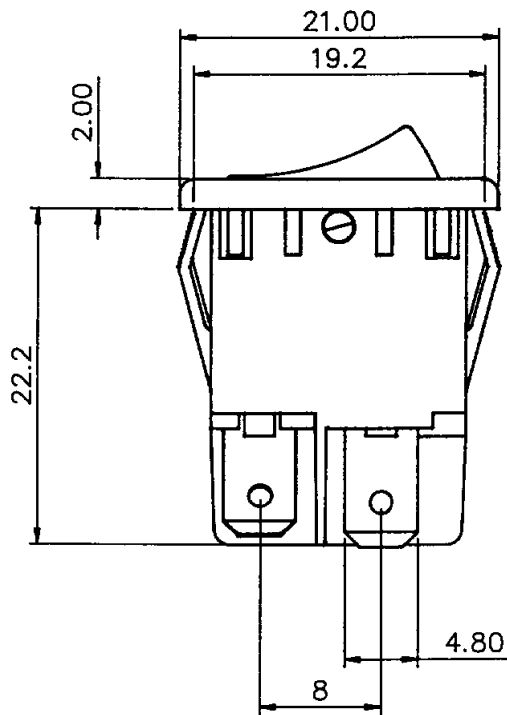
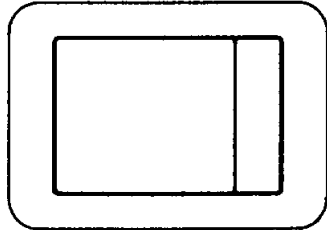
1)	Model Number	33A Multicomp	MC 3813-011-01 PN#157-788
2)	Description	Rocker Switch	B/B-S QC Terminals
3)	Rating	<u>Approval</u> UL	<u>Certificate No.</u> E59618
			<u>Rating</u> - 16A 125VAC - 8A 250VAC - 16A 12VDC - 10A 250VAC (Res) - 16A 125VAC - 8A 250VAC - 10(6)A 250VAC - 10(6)A 250VAC
		CSA	LR 52381
		VDE	80667
		SEMKO	9706164
4)	Contact Resistance	$20 \times 10^{-3} \Omega$	
5)	Insulation Resistance	$> 50 \times 10^6 \Omega$	
6)	Dielectric Strength	Up To 3 5kVAC	
7)	Mechanical Endurance	>100,000 cycles	
8)	Circuit	SPST, DPST Illumination (Optional)	
9)	Recommended Panel Cut-out	<u>Thickness (mm)</u> 1 0 (min) 3 0 (max)	<u>Cut-Out Size(mm)</u> 19 3 x 13 0 19 5 x 13 0
10)	Terminal	4 8mm Quick Connect PC Tail / Angle PC Tail Solder Tail	

Issued by ABF

Date 04 November 1998

© COPYRIGHT 1998 BY SPC TECHNOLOGY
 ALL RIGHTS RESERVED NO PORTION OF
 THIS PUBLICATION, WHETHER IN WHOLE
 OR IN PART CAN BE REPRODUCED
 WITHOUT THE EXPRESS WRITTEN CONSENT
 OF SPC TECHNOLOGY.

REVISIONS			DOC NO. SPC-F004, Total Pages: 2 Effective: 7/15/97 DCP No. 229 Supersedes DCP No. 103					
DCP #	REV	DESCRIPTION	DRAWN	DATE	CHECKD	DATE	APPRVD	DATE



APPROVALS



SPC-F004 DWG

DISCLAIMER
 ALL STATEMENTS AND TECHNICAL INFORMATION CONTAINED HEREIN ARE BASED UPON INFORMATION AND/OR TESTS WE BELIEVE TO BE ACCURATE AND RELIABLE. SINCE CONDITIONS OF USE ARE BEYOND OUR CONTROL, THE USER SHALL DETERMINE THE SUITABILITY OF THE PRODUCT FOR THE INTENDED USE AND ASSUME ALL RISK AND LIABILITY WHATSOEVER IN CONNECTION THEREWITH.

multicomp

DRAWN BY:	DATE:	DRAWING TITLE: ROCKER SWITCH MC 3813-011-01 33A	MULTICOMP PN 157-788				
	CHECKED BY:		DATE:	SIZE	DWG NO	ELECTRONIC FILE	REV
	APPROVED BY:		DATE:	SCALE. 2 . 1	U O M .	SHEET 1 OF	