

Bat Handle Toggle

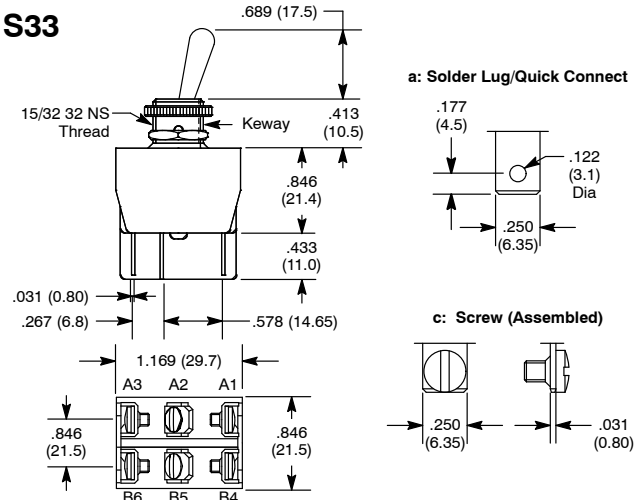


Features

- Waterproof Types Available on Page XX



S33



NTE Type No.	Circuitry	Action			Actuator	Diag No.
54-360	DPDT	ON	NONE	ON	Nickel Plated Brass	S33a
54-361	DPDT	ON	OFF	ON	Nickel Plated Brass	S33a
54-362*	SP3T	ON	ON	ON	Nickel Plated Brass	S33a
54-363	DPDT	(ON)	NONE	ON	Nickel Plated Brass	S33a
54-364	DPDT	(ON)	OFF	(ON)	Nickel Plated Brass	S33a
54-365	DPDT	ON	OFF	(ON)	Nickel Plated Brass	S33a
54-366	DPST	ON	NONE	OFF	Nickel Plated Brass	S33a
54-367	DPST	ON	NONE	OFF	Nickel Plated Brass	S33c
54-369	DPDT	ON	NONE	ON	Nickel Plated Brass	S33c
54-370	DPDT	ON	OFF	ON	Nickel Plated Brass	S33c
54-371*	SP3T	ON	ON	ON	Nickel Plated Brass	S33c
54-372	DPDT	(ON)	NONE	ON	Nickel Plated Brass	S33c
54-373	DPDT	(ON)	OFF	(ON)	Nickel Plated Brass	S33c
54-374	DPDT	ON	OFF	(ON)	Nickel Plated Brass	S33c

SPECIAL NOTE: () = Momentary Function
* SP in DP case.

Specifications

Current Rating:

Functions ON-OFF and ON-ON: 15A 250VAC or 10A 24VDC

Functions ON OFF ON: 10A 125-250VAC, 1/2 HP

Other Functions: 15A 125VAC, 12A 250VAC or 5A 25VDC

Insulation Resistance: 1000 Megohms (min.) at 500VDC

Dielectric Strength: 2000V RMS (min.) between terminals

Temperature Rating: -4° to +131°F (-20° to +55°C)

Electrical Life: 10,000 cycles (min.) at full load

Terminal Type: Refer to Diag No. in Table

Mounting Hole: .480 (12.2)

Bat Handle Toggle

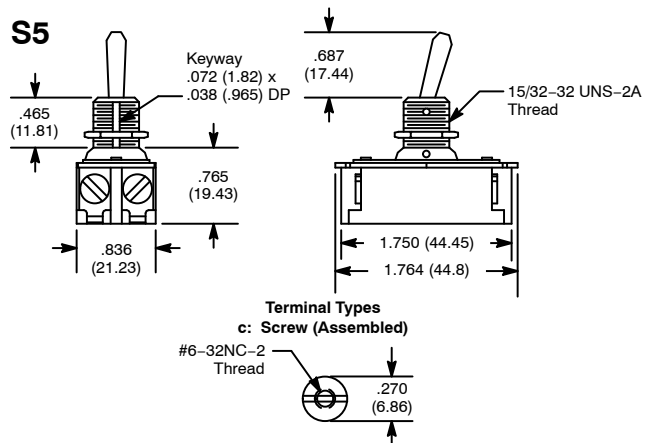


Features

- Quick Make, Quick Break Contacts
- Suitable for High Amperage AC/DC Motor Control
- Screw Terminals



S5



Specifications

Current Rating: 16A 125VAC, 8A 250VAC, 1 HP 125-250VAC

Insulation Resistance: 100 Megohms (min.)

Dielectric Strength: 1000V RMS (min.)

Temperature Rating: 0° to +150°F (-17.8° to +65.6°C)

Electrical Life: 25,000 cycles

Mechanical Life: 100,000 cycles

Terminal Type: Screw Type

Mounting Hole: .500 (12.7)

NTE Type No.	Circuitry	Action			Actuator	Diag No.
54-055	DPST	ON	NONE	OFF	Brass/Nickel Plate	S5c
54-056	SPST	ON	NONE	OFF	Brass/Nickel Plate	S5c