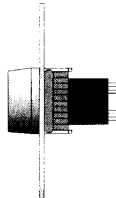
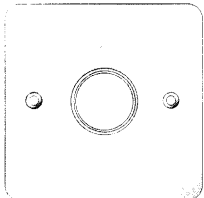


Specification & technical data

A complete range of high specification push button and key operated switches, designed with performance, aesthetics and durability in mind. Specifically designed for use with access control systems or electronic locking installations where a degree of resistance to vandalism is required or a high traffic usage is expected. Variations include LED indicators, momentary or maintained contacts, flush or surface mounting, and in most cases a narrow stile option is also available.

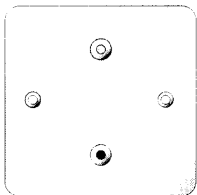


Specification

3E0650 Illuminated button, momentary contact.
3E0651 Illuminated button, maintained contact.
Narrow stile: add suffix **NS**.

Technical Data

Operation: Push button with Normally Open and Normally Closed contacts.
Switch rating: 2 Amps @ 12vDC / 24vDC
Illumination: T5.5 bayonet filament bulb.
Mechanical life: Momentary 1 million operations - Maintained 2 million operations.
IP 67 rated from front only.

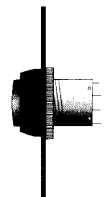
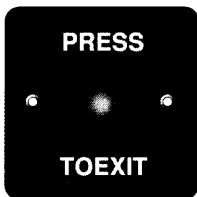


Specification

3E0654 Indicator plate only with red & green LED's.
Narrow stile: add suffix **NS**.

Technical Data

Restored to allow operation between 12 to 24vDC

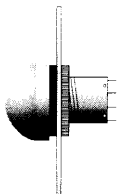


Specification

3E0656 Raised green exit button, momentary contact.
Narrow stile: add suffix **NS**.

Technical Data

Operation: Push button with Normally Open and Normally Closed contacts.
Switch rating: 2 Amps @ 12vDC / 24vDC
Mechanical life: 1 million operations.
IP 67 rated from front only.

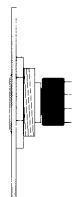


Specification

3E0657 Green dome exit button, momentary contact.

Technical Data

Operation: Push button with Normally Open and Normally Closed contacts.
Switch rating: 2 Amps @ 12vDC / 24vDC
Mechanical life: 1 million operations.
IP 67 rated from front only.



Specification

3E0658 19mm vandal resistant stainless steel button, momentary contact.
Narrow stile: add suffix **NS**.

Technical Data

Operation: Push button with Normally Open and Normally Closed contacts.
Switch rating: 2 Amps @ 12vDC / 24vDC
Mechanical life: 1 million operations.
IP 67 rated from front only.

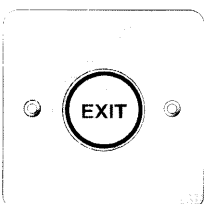


Specification

3E0659 25mm vandal resistant stainless steel button, momentary contact.

Technical Data

Operation: Push button with Normally Open and Normally Closed contacts.
Switch rating: 2 Amps @ 12vDC / 24vDC
Mechanical life: 1 million operations.
IP 67 rated from front only.

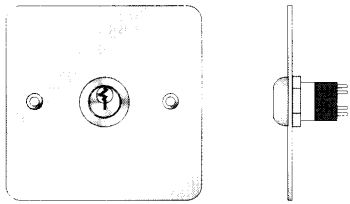


Specification

3E0666 Heavy duty illuminated exit button, momentary contact.

Technical Data

Operation: Push button with Normally Open and Normally Closed contacts.
Switch rating: 2 Amps @ 12vDC / 24vDC
IP 43 rated from front only.

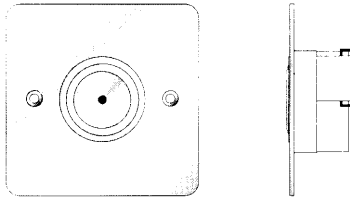


Specification

3E0660 Keyswitch, momentary contact supplied with 2 keys.
 3E0661 Keyswitch, maintained contact supplied with 2 keys.
 Narrow stile: add suffix **NS**.

Technical Data

Operation: Key operated switch with Normally Open and Normally Closed contacts.
 Switch rating: 2 Amps @ 12vDC / 24vDC

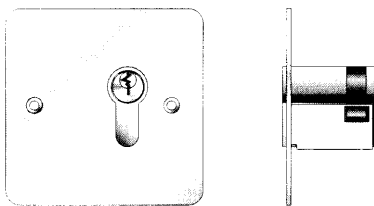


Specification

3E0672 Illuminated vandal resistant, stainless steel exit button, momentary contact.

Technical Data

Operation: Push button with Normally Open and Normally Closed contacts.
 Switch rating: 2 Amps @ 12vDC / 24vDC
 IP 43 rated from front only.

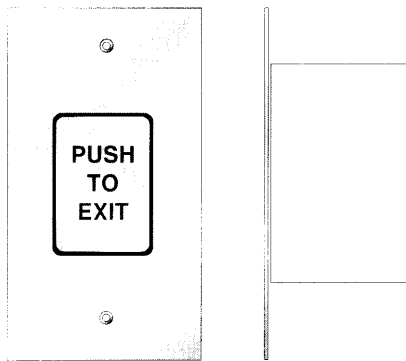


Specification

3E0668 Euro-profile keyswitch, momentary contact.
 3E0669 Euro-profile keyswitch, maintained contact.

Technical Data

Operation: Euro-profile cylinder operated switch with Normally Open and Normally Closed Change Over contacts. Cylinder to be ordered separately or supplied as part of a suite by the installer. Cylinder must be 'A' length (approx 38 - 40mm o/a) and must have a location adjustable cam.
 Switch rating: 4 Amps @ 12vDC / 24vDC



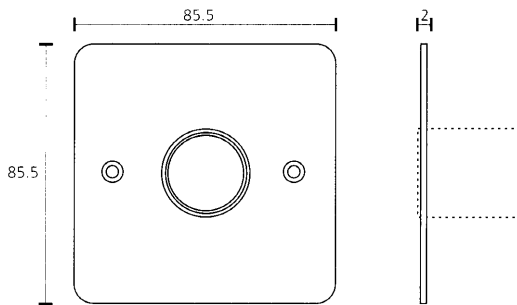
Specification

3E0667 Heavy duty stainless steel exit switch, momentary contact.

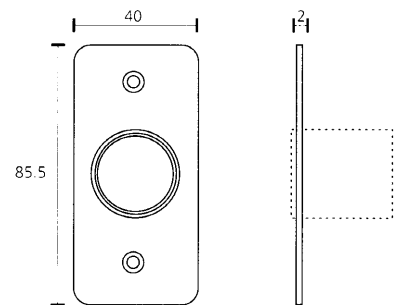
Technical Data

Operation: Push action switch with Normally Open and Normally closed contacts.
 Switch rating: 2 Amps @ 12vDC / 24vDC
 Mechanical life: 1 million operations.
 Dimensions: 191 x 105 x 2mm plate with 120 x 84 x 75mm deep backbox.
 IP54 rated from front only.

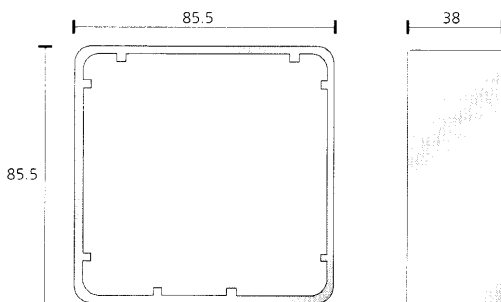
Dimensional data (All dimensions shown in millimetres)



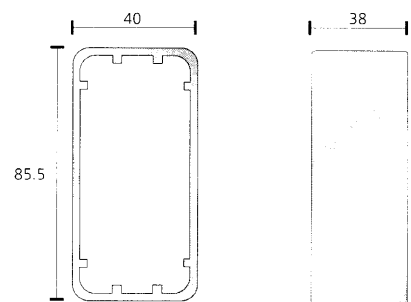
Standard 1 gang plate dimensions



Narrow stile plate dimensions



3E0610-1 1 gang surface housing, simulated satin stainless steel.



3E0620-1 Narrow stile surface housing, simulated satin stainless steel.

Series 600

Product codes & descriptions

3E0650	Illuminated button - momentary contact
3E0651	Illuminated button - maintained contact
3E0654	Indicator plate with red & green LED's
3E0656	Raised green exit button with black bezel
3E0657*	Green dome exit button
3E0658	Vandal resistant exit button - 19mm Dia button
3E0659*	Vandal resistant exit button - 25mm Dia button
3E0660	Keyswitch with 2 keys - momentary contact
3E0661	Keyswitch with 2 keys - maintained contact
3E0666*	Heavy duty illuminated exit button
3E0667*	Heavy duty exit switch - 2 gang plate
3E0672*	Vandal resistant illuminated exit button
3E0668*	Euro-profile keyswitch (cylinder NOT supplied) - momentary contact
3E0669*	Euro-profile keyswitch (cylinder NOT supplied) - maintained contact
3E0610	Switch surface housing - 1 gang plate
3E0620	Switch surface housing - Narrow stile
3E0600-SF	Pack of 2 security screws for switches - Stainless Steel
3E0600-SFT	Security screw fixing tool

Finishes

Metal Finishes

Satin stainless steel	add suffix 1
Polished stainless steel	add suffix 2
Satin anodised aluminium	add suffix 3
Polished brass	add suffix 4

Coloured Finishes

Powder coated	
GREEN RAL6016	add suffix 5
Powder coated	
WHITE gloss	add suffix 6

Finish applies to plate only. With the exception of Satin stainless steel switch plates, all other finishes are to special order. Prices for finishes other than stainless steel are available on request and are subject to quantity breaks.

With the exception of the 3E0667 all switches are mounted on a 1 gang plate as standard. For Narrow Stile option add suffix **NS** to product code. Items marked* are not available in Narrow Stile format.

Most push buttons and keyswitches are also available with LED indicators. For this option add the suffix **L** to the product code.

All 3E Security Series 600 switches are manufactured to the highest quality, are supplied complete with a suitable 35mm deep metal backbox and are **CE** approved and marked where applicable.