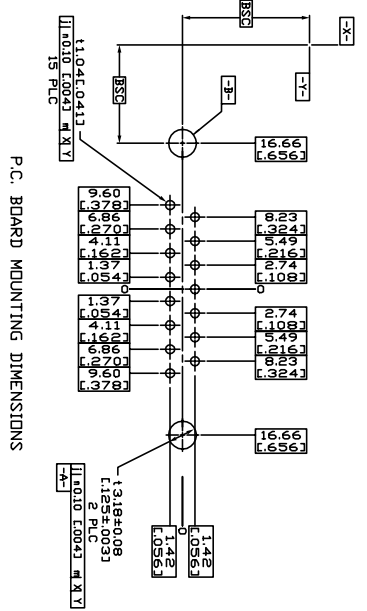


1. MATERIAL: HOUSING: PBT, GLASS FILLED, UL RATED 94V-0, BLACK. FRONT SHELL: CARBON STEEL. CONTACTS, BOARD LOCKS AND INSERTS: BRASS
2. FINISH: FRONT SHELL: TIN PLATED. CONTACTS: GOLD FLASH OVER 25µI n L0000000 MIN NICKEL ON ENTIRE CONTACT AREA. BOARD LOCKS AND INSERTS: NICKEL PLATED
3. ELECTRICAL SPECIFICATIONS: BOARD LOCKS AT 50 MHz. 30 DMS AT 50 MHz. 50 DMS AT 100 MHz.
4. SCL, 56-412-001 AND DATE CODE MARKED ON THIS SURFACE.



REV	DATE	BY	CHKD	DESCRIPTION
1	10/11/94
2
3
4

REVISED PER 99146	DATE	BY	CHKD	DESCRIPTION
4

DATE	BY	CHKD	DESCRIPTION
...