

# DATA SHEET

Mounting accessories  
**Electrolytic capacitors**

2000 Oct 02

Supersedes data of January 1998  
File under BCcomponents, BC01

**MECHANICAL DATA**

**Clamps for ST-types:**

**086/087 PS-ST; 088/089 PHC-ST**

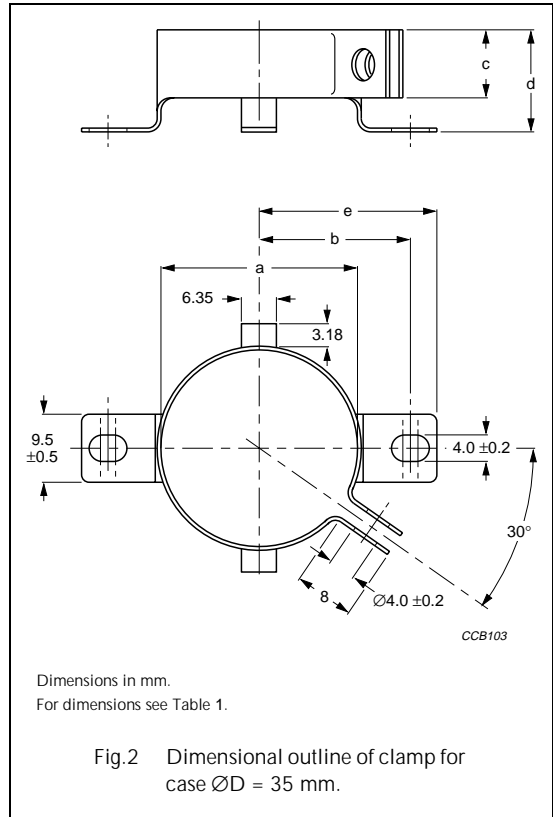
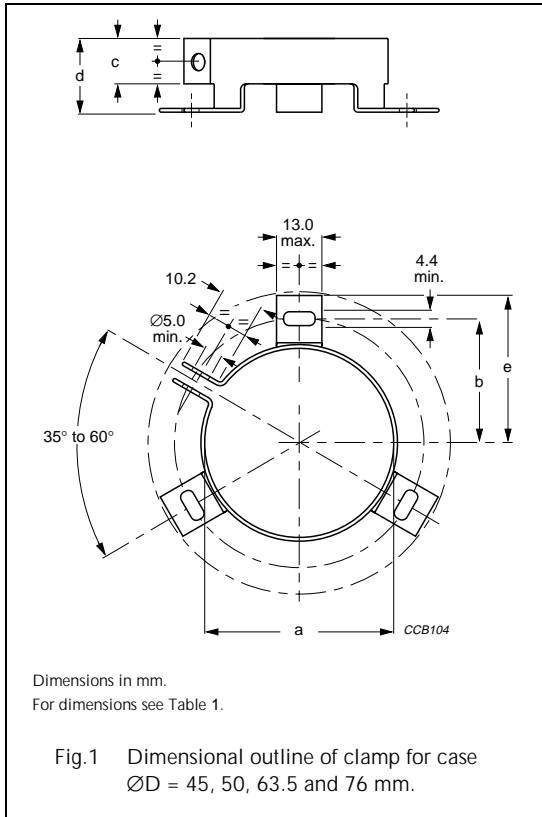
To facilitate vertical mounting, a series of rigid clamps made of zinc plated steel are available.

The clamps have either two or three mounting lugs, may be easily slipped over the capacitor and then clamped with a

nut and bolt. Five types of clamps are available, one for each case diameter.

They are delivered without nuts or bolts.

**To avoid damaging the insulation sleeve, do not overtighten the clamp screw.**



**Table 1** Clamp dimensions; see Figs 1 and 2

CASE DIAMETER (mm)	a (mm)	b (mm)	c (mm)	d (mm)	e (mm)	CATALOGUE NUMBER
35	34.92 ±0.13	23.01 ±0.79	14.25 ±0.40	19.05 ±0.79	29.36 ±0.79	4322 043 17521
45	44.45 ±0.13	28.57 ±0.79	19.05 ±0.40	28.57 ±0.79	33.35 ±0.79	4322 043 17481
50	50.80 ±0.13	31.75 ±0.79	19.05 ±0.40	28.57 ±0.79	36.51 ±0.79	4322 043 17491
63.5	63.50 ±0.13	38.10 ±0.79	19.05 ±0.40	28.57 ±0.79	42.87 ±0.79	4322 043 17501
76	76.20 ±0.13	44.45 ±0.79	19.05 ±0.40	28.57 ±0.79	49.22 ±0.79	4322 043 17511

## Electrolytic capacitors

## Mounting accessories

### Clamps for ST types:

154/155 PEC-ST; 114/115 PED-ST

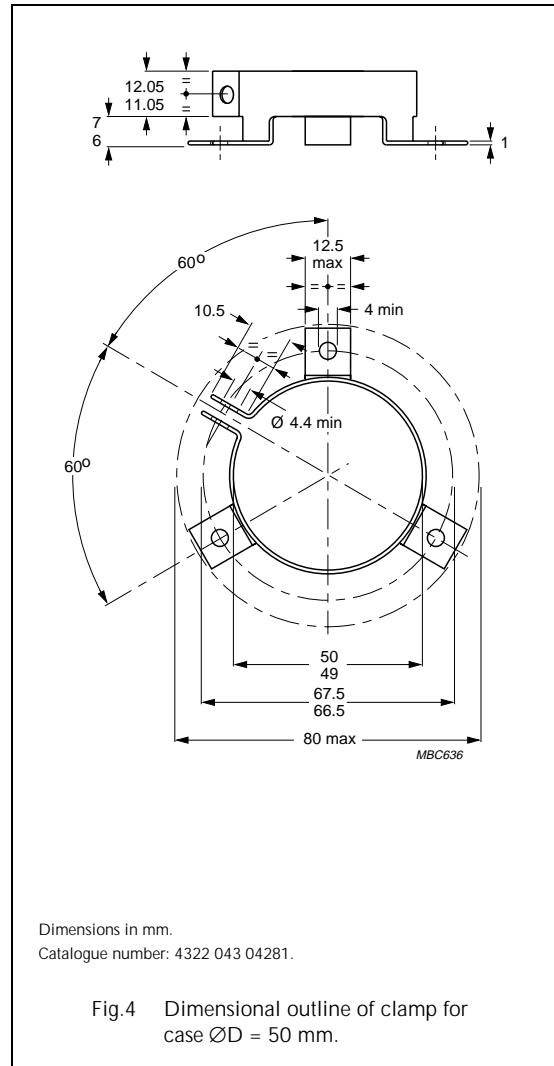
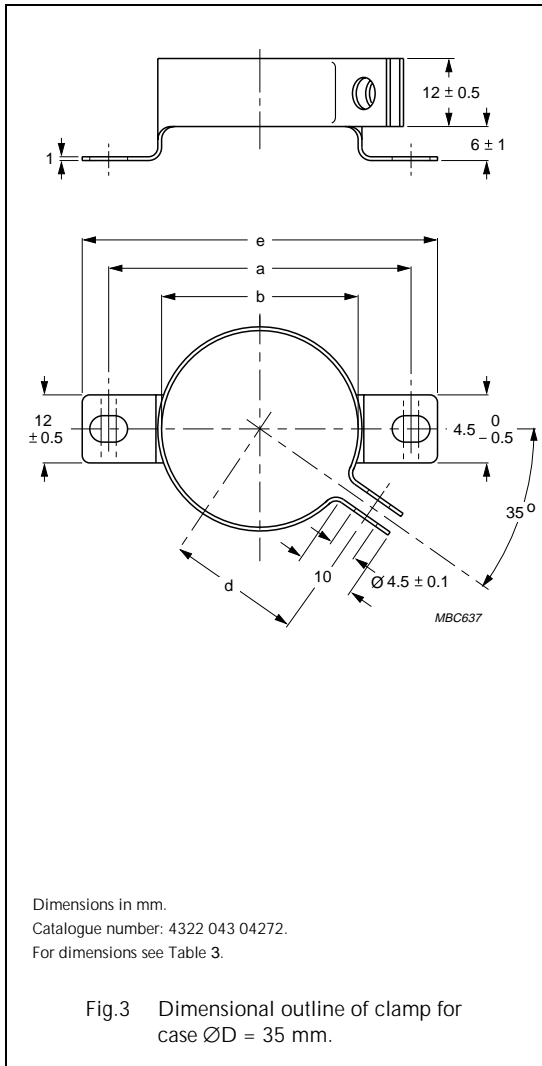
To facilitate vertical mounting, a series of rigid clamps made of zinc plated steel are available.

The clamps have either two or three mounting lugs, may be easily slipped over the capacitor and then clamped with a

nut and bolt. Four types of clamps are available, one for each case diameter.

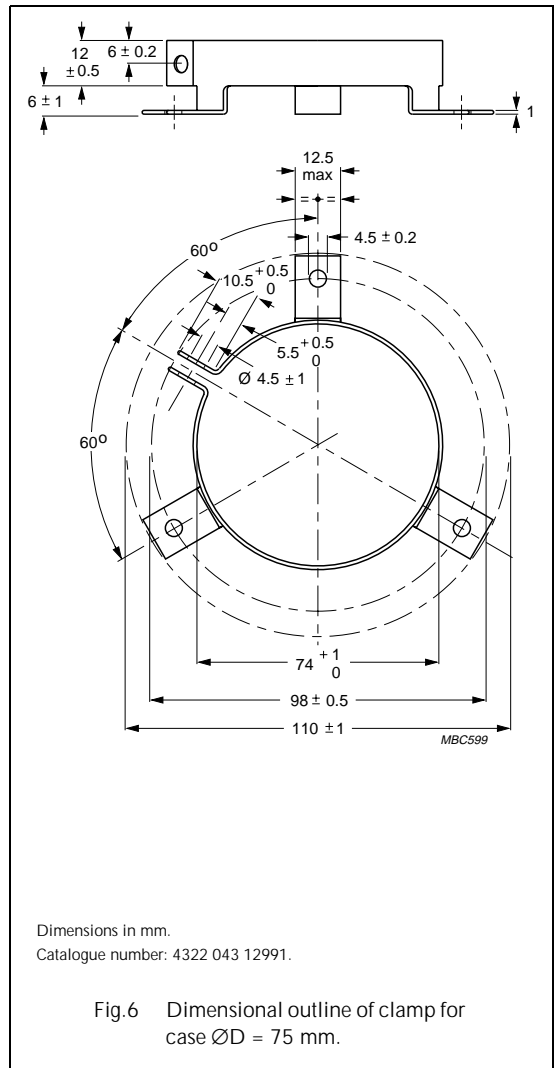
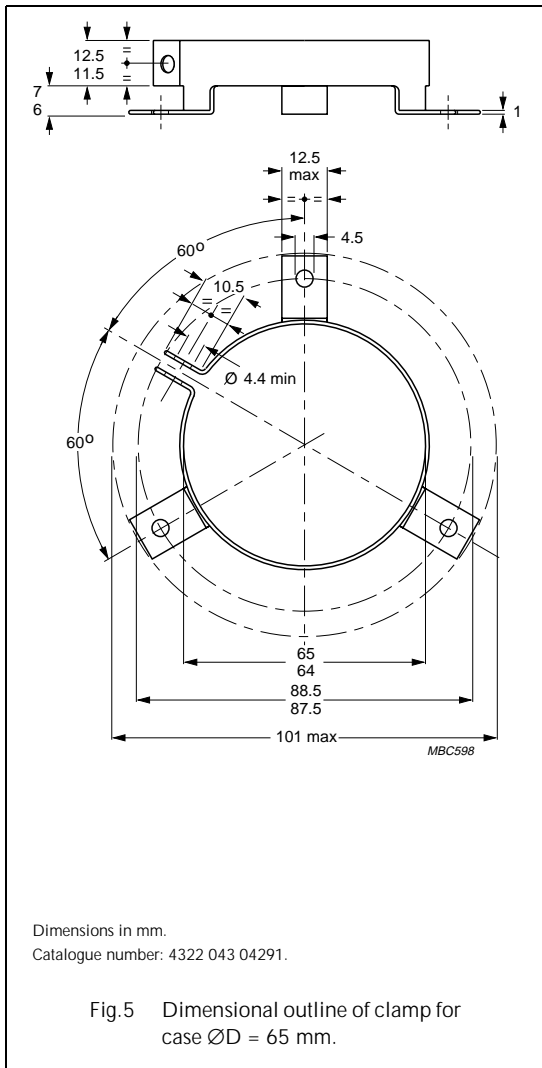
They are delivered without nuts or bolts.

**To avoid damaging the insulation sleeve, do not overtighten the clamp screw.**



# Electrolytic capacitors

# Mounting accessories



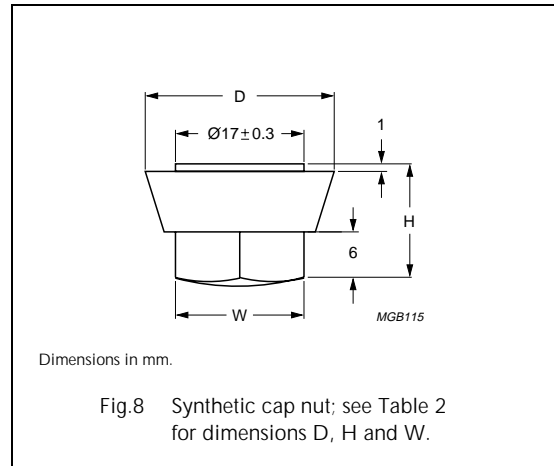
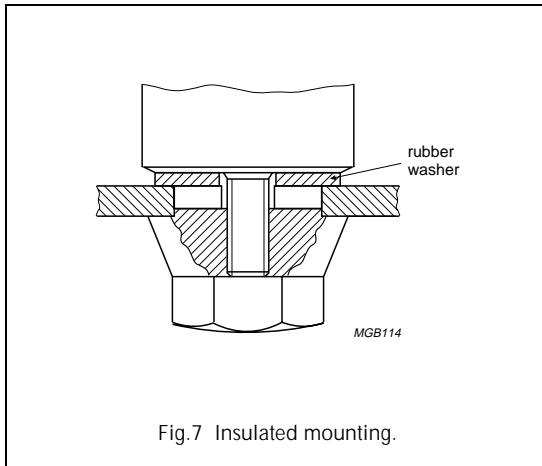
# Electrolytic capacitors

# Mounting accessories

### Nuts and washers for STB-versions

When mounting with the bolt, which is an integral part of the case, standard metal M8 and M12 nuts and washers may be used; the maximum permissible torque is 4 Nm for M8 nuts and 10 Nm for M12 nuts.

If insulated mounting is required, synthetic nuts and rubber washers are available; for these nuts the maximum permissible torque is 2 Nm (M8) and 4 Nm (M12).

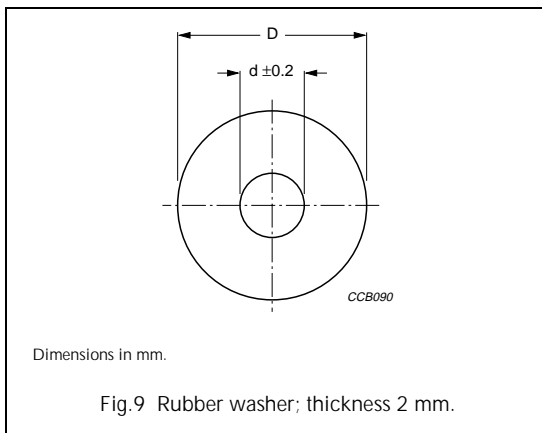


**Table 2** Dimensions of synthetic cap nut; see Fig.8

CASE DIAMETER (mm)	THREAD	D (mm)	H (mm)	W <sup>(1)</sup> (mm)	MIN. THREADED DEPTH (mm)	CATALOGUE NUMBER
35	M8	25	15	17	11.5	4322 043 05561
≥50	M12	30	20	19	15.5	4322 043 05571

**Note**

- 1. Dimension W is measured across flats.



**Rubber washer ordering codes**

D (mm)	d (mm)	CATALOGUE NUMBER
34	8.4	4322 043 05591
49	13.0	4322 043 05531
64	13.0	4322 043 05521
74	13.0	4322 043 13001

# Electrolytic capacitors

# Mounting accessories

## Clamps for SL-versions, $\varnothing D = 25, 30, 35$ and $40$ mm

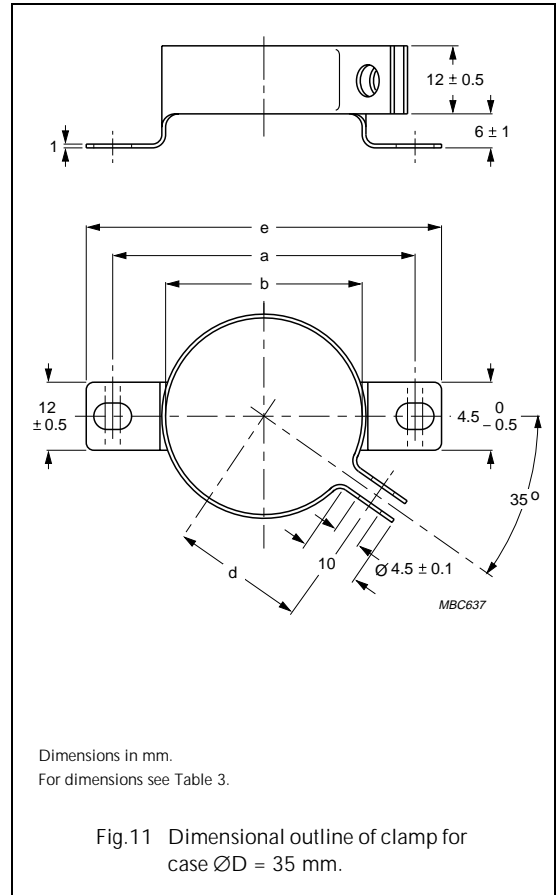
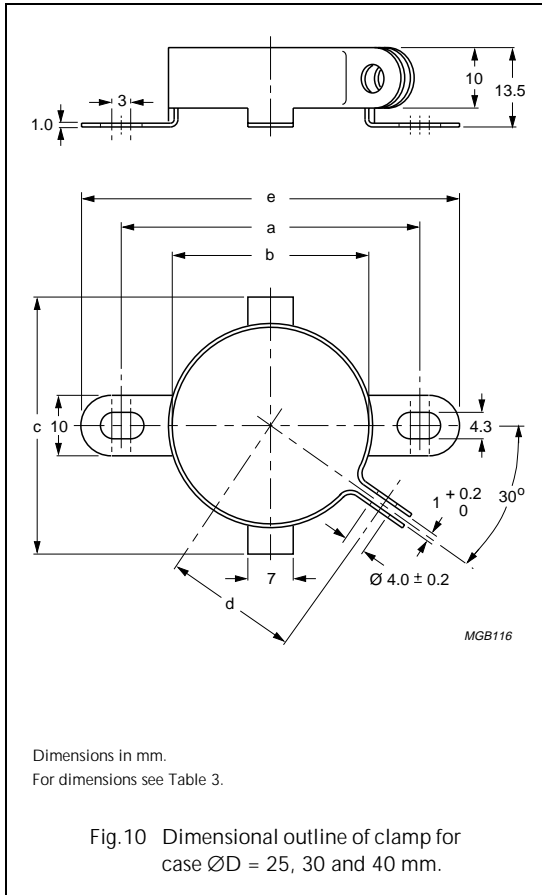
To facilitate vertical mounting, a series of rigid clamps made of zinc plated steel are available.

The clamps have two mounting lugs, may be easily slipped over the capacitor and then clamped with a nut and bolt.

Four types of clamps are available, one for each case diameter.

They are delivered without nuts or bolts.

**To avoid damaging the insulation sleeve, do not overtighten the clamp screw.**



**Table 3** Clamp dimensions; see Figs 3, 10 and 11

CASE DIAMETER (mm)	a (mm)	b (mm)	c (mm)	d (mm)	e (mm)	CATALOGUE NUMBER
25	41.5 ± 0.2	25	35	18.5	56	4322 043 03301
30	46.5 ± 0.2	30	40	21	61	4322 043 03311
35	51.5 ± 0.2	35	–	23.5	63	4322 043 04272
40	56.5 ± 0.2	40	50	26	71	4322 043 03331