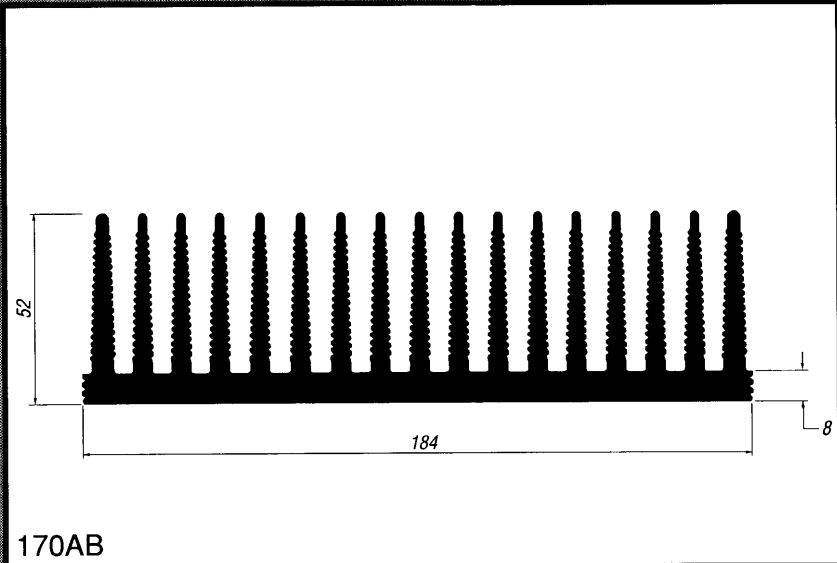


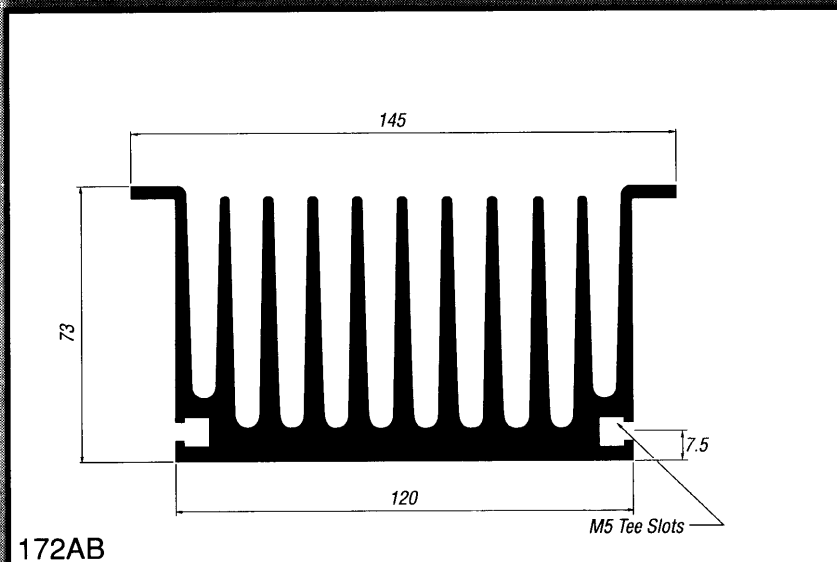
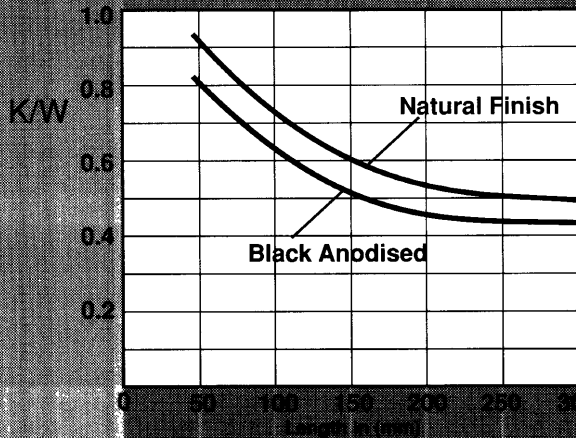


100 SERIES



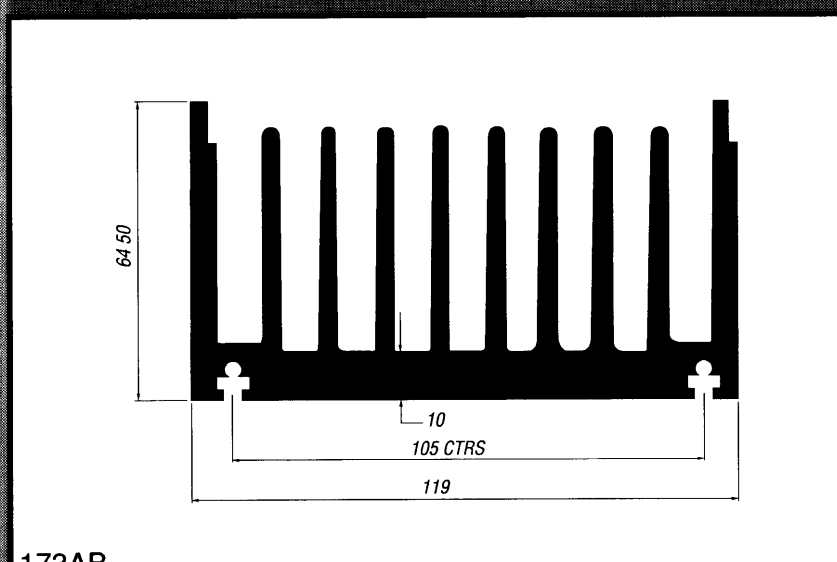
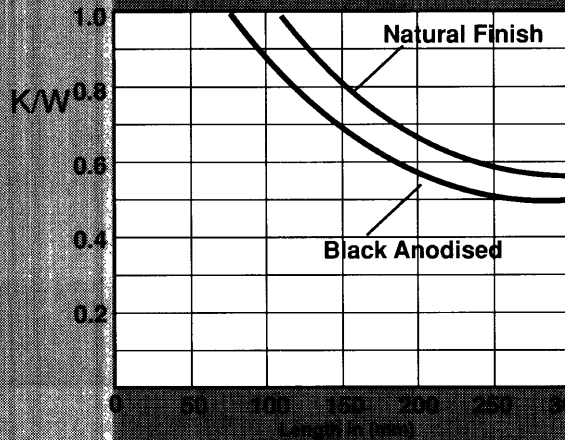
170AB

Typical Performance		°k/w Black				
Length		50	100	150	200	300
°k/w		0.80	0.60	0.52	0.47	0.43



172AB

Typical Performance		°k/w Black				
Length		50	100	150	200	300
°k/w		1.15	0.87	0.68	0.55	0.49



173AB

Typical Performance		°k/w Black				
Length		50	100	150	200	300
°k/w		1.87	1.25	0.80	0.63	0.48

