

HG\$Ter\$Q sxsW

# Scirocco Ace ; :

\$2=\$rgl\$ne\$



Kirive\$Tignigexsrw  
 Motor protection system · Current cut system (with reverse-connection protection)  
 Dielectric strength ······50/60 Hz, 500 VAC, 1 minute  
 (between lead conductor and frame)  
 Operating thermally range -10°C to +60°C (non-condensing)  
 Fan power lead ······H and F speeds, ⊕ red, ⊖ black  
 M speed, ⊕ red, ⊖ blue

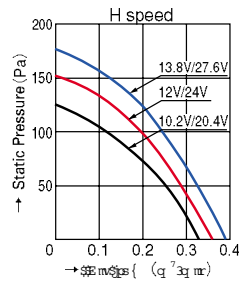
Blower Fans

Wtignigexsrw

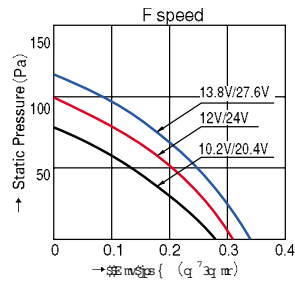
Model No	Rated voltage (V)	Operating voltage range (V)	Rated current (A)	Rated input (W)	Rated rotating speed (min <sup>-1</sup> )	Air flow (m <sup>3</sup> /min)	Air flow (CFM)	Static pressure (Pa)	Noise (dB[A])	Mass (g)
54=PH56LE6, LG6-LH6a	12	10.2~13.8	0.37	4.44	3,000	0.36	12.7	151.9	41.5	100
54=PH56JE6, JG6-JH6a			0.27	3.24	2,600	0.31	10.9	98	37	
54=PH56Q E6, Q G6-Q H6a			0.14	1.68	2,100	0.25	8.8	58.8	32.5	
54=PH68LE6, LG6-LH6a	24	20.4~27.6	0.17	4.08	3,000	0.36	12.7	151.9	41.5	
54=PH68JE6, JG6-JH6a			0.14	3.36	2,600	0.31	10.9	98	37	
54=PH68Q E6, Q G6-Q H6a			0.10	2.40	2,100	0.25	8.8	58.8	32.5	

Model numbers in ( ) represent models with pulse sensor.  
 [ ] denotes lock sensor attachment.

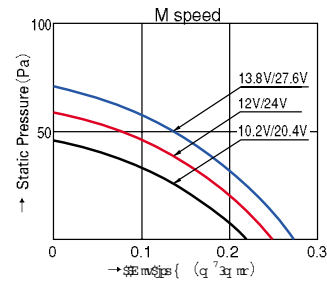
X) tge\$ns { \$rh\$ex\$viwvi\$levegivwzgw



54=PH56LE6  
 54=PH68LE6

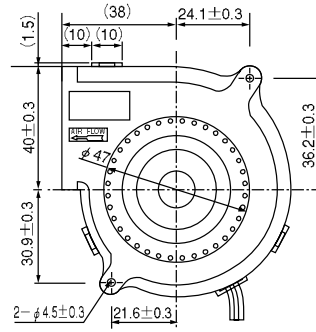
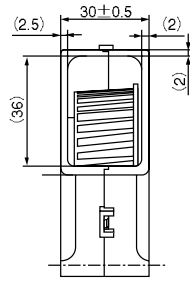
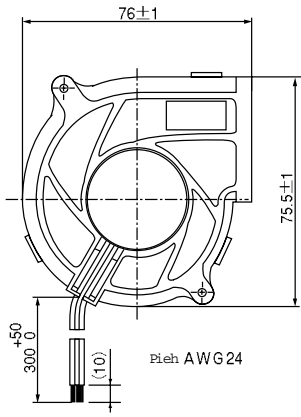


54=PH56JE6  
 54=PH68JE6



54=PH56Q E6  
 54=PH68Q E6

; :mm



Blower Fans

mm

# SANYO DENKI

51591500meIsxwyeQswlmg eloy0s0) s\$; 41<8950Net er2LSRI\$4/<5\$7=5; 9595  
Lsq i\$teki lxt3( ( {wer)shirca\$st

# How to read the model number

## General fans

**109**

Represents a fan motor.

**R**

Additional number: Used to classify the remodeling performed or for other purposes.

P : Mold frame type  
R : Mold frame type  
E : Aluminum frame  
L : Long Life Fan  
W : Splash Proof Fan

**12**

Frame dimensions code

04 : 40 x 40mm  
05 : 52 x 52mm  
06 : 60 x 60mm  
08 : 80 x 80mm  
09 : 92 x 92mm  
**12 : 119 x 119mm**  
14 : 140 x 140mm  
17 : 172mm dia  
57 : 172mm dia,  
51 mm wide,  
side cut

**12**

Voltage code  
05 : 5v  
**12 : 12V**  
21 : 21V  
24 : 24V  
48 : 48V

**H**

Speed code

S : Super-speed  
H : **High speed**  
F : Medium speed between H and M  
M : Middle speed  
L : Low speed  
W : Wide range  
MH: Two speeds, H and M

**1**

Sensor and specific specification code

01 : With pulse sensor  
02 : Sensor-less  
**D01** : With lock sensor  
H01:With low-speed sensor

Frame thickness code

**1** : 38mm thick  
2 : 32mm thick  
3 : 28mm thick  
4 : 25mm thick  
5 : 51mmthick  
6 : 20mm thick  
7 : 15mm thick

**1**

Ribless 1  
Ribbed

## Thermally speed controlled fans

**109**

Represents a fan motor.

**R**

Additional number: Used to classify the remodeling performed or for other purposes.

P : Mold frame type  
R : Mold frame type

**12**

Frame dimensions code

05 : 52 x 52mm  
06 : 60 x 60mm  
08 : 80 x 80mm  
09 : 92 x 92mm  
**12 : 119 x 119mm**

**12**

Voltage code  
**12 : 12V**

**T**

Represents a thermally speed controlled fan.

**1**

Frame thickness code

**1** : 38mm thick  
4 : 25mm thick  
6 : 20mm thick  
7 : 15mm thick

**H**

Speed code

H : High speed

**11**

Sensor and specific specification code

10 : With lock sensor  
11 : **With** pulse sensor  
12 : Sensor-less

**2**

External view code

Nil:Ribbed frame product with an external thermistor  
**1**:Ribless frame product with an external thermistor  
2 : Ribbed frame product with a built-in thermistor  
3 : Ribless frame product with a built-in thermistor

## CPU cooler

**109**

Represents a fan motor.

**P**

Additional number: Used to classify the remodeling performed or for other purposes.

P : Mold frame type

**44**

Heat sink dimensions code

44 : 45 x 45mm or 44.5 x **44.5mm**  
54 : 54 x 54mm or 50.8 x **50.8mm**  
66 : 66 x 62mm

**05**

Voltage code  
**05 : 5V**  
12 : 12V

**H**

Speed code,  
H : High speed  
M : Middle speed

**8**

Frame thickness code

2 : 30mm thick  
8 : **18mm** thick  
9 : 10mm thick

**D01**

Sensor and specific specification code

01 : With pulse sensor  
02 : Sensor-less  
**D01** : With lock sensor

**6**

External view code

6 : Terminal type

## Sirocco fan

**109**

Represents a fan motor.

**B**

Additional number: Used to classify the remodeling performed or for other purposes.

B : Represents a sirocco fan.

**F**

Frame dimensions code  
F : 120 x 120mm

**12**

Voltage code  
**12 : 12V**  
24 : 24V

**H**

Speed code  
H : High speed  
M : Middle speed

**A**

Sensor specification code

A : Sensor-less  
C : With a pulse sensor  
D : With a lock sensor

**2**

Frame thickness code  
2 : 32mm thick