

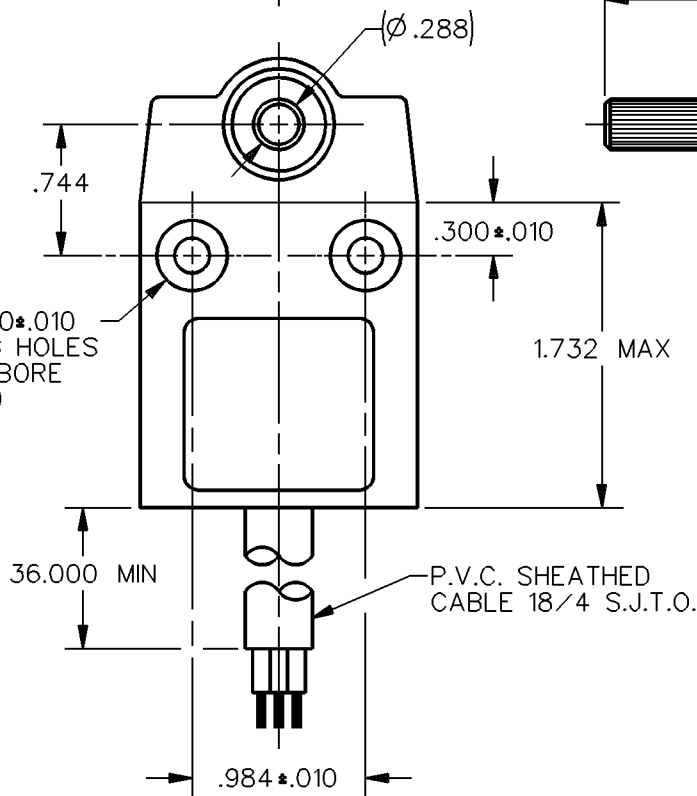
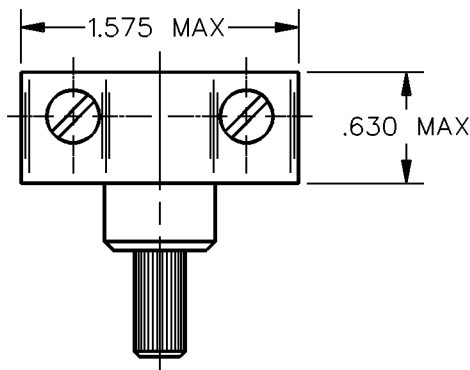
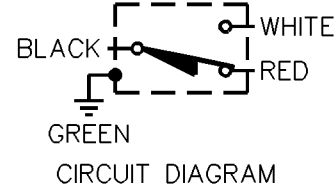
MICRO SWITCH
a Honeywell Division

FED. MFG. CODE 91929

MINIATURE PRECISION
LIMIT SWITCH

CATALOG LISTING

914CE16-3N1



2X φ .200 ± .010
MOUNTING HOLES
(φ .40 C'BORE
.24 DEEP)

P.V.C. SHEATHED
CABLE 18/4 S.J.T.O.

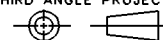
NOTES

- 1 - ZINC HOUSING FINISHED WITH GRAY PAINT
- 2 - SWITCH WILL ACTUATE IN BOTH DIRECTIONS

ANSI Y14.5M-1982 APPLIES

THIS DRAWING COVERS A PROPRIETARY ITEM AND IS THE PROPERTY OF MICRO SWITCH, A DIVISION OF HONEYWELL. THIS DRAWING IS NOT TO BE COPIED OR USED WITHOUT THE APPROVAL OF MICRO SWITCH.

THIRD ANGLE PROJECTION



CHARACTERISTICS

OPERATING FORCE --- 3.5 IN. LB MAX
RELEASE FORCE --- 6 IN. OZ MIN
PRETRAVEL --- 45° MAX
DIFFERENTIAL TRAVEL --- 3° MAX
OVERTRAVEL --- 25° MIN

ELECTRICAL DATA

CONTACT ARRANGEMENT
S P D T

5A 1/10HP - 125 OR 250 VAC



SCALE FULL

DO NOT SCALE PRINT

UNLESS OTHERWISE SPECIFIED TOLERANCES ARE

ONE PLACE (.0) ±.030

TWO PLACE (.00) ±.015

THREE PLACE (.000) ±.005

ANGLES ±

WEIGHT

914CE16-3N1

M

DRAWING NUMBER

1

ISSUE

REPLACES

RELEASE NO. CO-69061

CHECK

REVISIONS

CHECK

CHECK

DDM/CAD

DRAWN

S A V 10 OCT 91