

-----  
SCIENTIFIC DESIGN SOFTWARE  
Driver Parameters From Measurement Data  
-----

**55-1190**

-----  
Entered Data as Follows:  
-----

Entered driver DC resistance (Re)	8.80 ohms	
Entered driver resonance frequency (Fs)	31.00 hertz	
Entered driver maximum impedance at Fs	23.60 ohms	
Entered driver F1 frequency	19.00 hertz at	12.70 ohms
Entered driver F2 frequency	49.00 hertz at	12.70 ohms
Calculated Square root of F1*F2	30.50 hertz	
Calculated error factor	1.60 percent	
Compliance calculated by ADDED MASS method		
Entered added mass	10.00 grams	
Entered driver new resonance frequency	26.00 hertz	
Entered driver piston diameter	165.00 mm	
Entered driver magnet gap depth	5.00 mm	
Entered driver voice coil length	12.60 mm	

-----  
Calculated Thiele/Small Parameters:  
-----

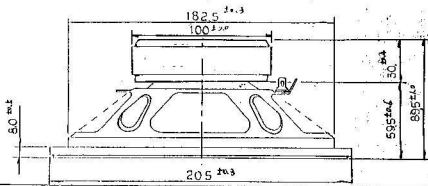
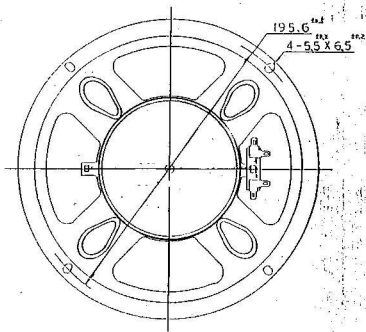
Free Air Resonance (Fs)=SQR(F1*F2)	30.50 hertz
Qts	0.5457
Qes	0.7886
Qms	1.89
Equivalent acoustic compliance (Vas)	65.76 liters
Piston area (Sd)	0.0214 square meters
DC resistance (Re)	6.80 ohms
Volume displacement (Vd)	81.25 cc
Linear displacement (Xmax)	3.80 mm
Power handling (Pe)	TO BE ENTERED
Coil Inductance (Le)	TO BE ENTERED
Reference Efficiency (Ref Eff)	0.23 percent
Efficiency Bandwidth Product (EBP)	39.79 hertz

-----  
Other Calculated Data:  
-----

Moving Mass of Diaphragm only (Mmd)	24.81 grams
Moving Mass of Diaphragm & Air Load (Mms)	26.59 grams
Mass of Air load on diaphragm (Ma)	1.77 grams
Compliance (Cms)	0.00103 m/N
BL product (BL)	6.72 N/A
Sensitivity (SPL 1w/1m)	85.68 dB

END OF REPORT

1	2	3	4	5	6	7	8	9	10	11	12	13	14	15	16	17	18	19	20	21	22	23	24	25	26	27	28	29	30	31	32	33	34	35	36	37	38	39	40	41	42	43	44	45	46	47	48	49	50
---	---	---	---	---	---	---	---	---	----	----	----	----	----	----	----	----	----	----	----	----	----	----	----	----	----	----	----	----	----	----	----	----	----	----	----	----	----	----	----	----	----	----	----	----	----	----	----	----	----



APPRO  
*[Signature]*

CHK.  
*Gall*

DATE  
*[Blank]*

NO. 1

DRW  
*[Signature]*

NO.	REV.	DATE	BY	APP.
1				
2				
3				
4				
5				
6				
7				
8				
9				
10				

MATERIAL

FINISH

TITLE

SCALE 1/8

TOLERANCE

QUANTITY

UNITS

8" SPEAKER

初版發行

92.4.16

LEADER

LEADER

A-B Span range: 50dB Ref. 0dB Level: 100 dB Writing Speed: 0,2 sec. Paper Speed: 10 mm/sec. LINEAR

MEASUREMENT

Measuring Obj.:

700-3402M01

55-1190

Rev. No.:

Date:

Sign:

LC-055 JAPAN

