



SOCKETS FOR C2 RELAYS

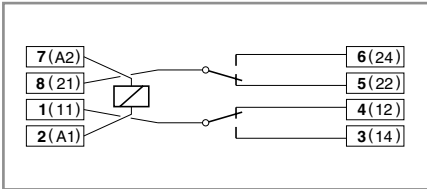
- Built in retaining clip
- Removable label marking facility
- Coding ring compatible
- One or two level terminals
- DIN rail, solder tag or PCB mount



S2-B One level.
Integrated clip and marking label

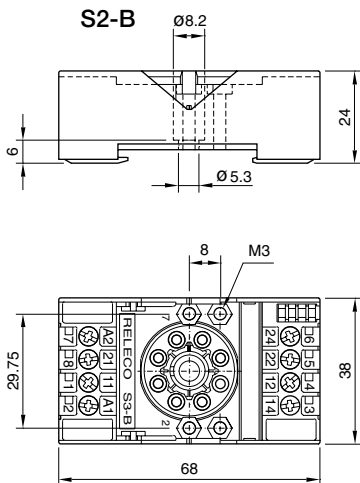
Accepts the exclusive Releco coding ring for coding both the relay and base. DIN rail or panel mountable. Removable label. EN/DIN and sequential numbering. According to EN60947

Wiring diagram



Specifications

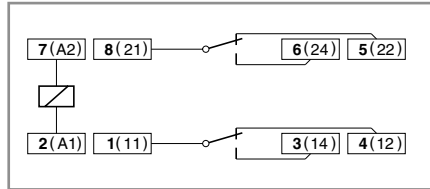
Nominal load 10A/300V
 Dielectric strength (adjacent screws) 2,5 KV
 Dielectric strength (screws/rail) 2,5 KV
 Max. screw torque 1,2 Nm
 Screw dimensions M3, Pozi
 Wire in-lets capacity:
 Solid wire 4 mm² or 2 x 2,25 mm²
 Multi-core 22 - 14 AWG



S2-S Two level.
Integrated clip and marking label

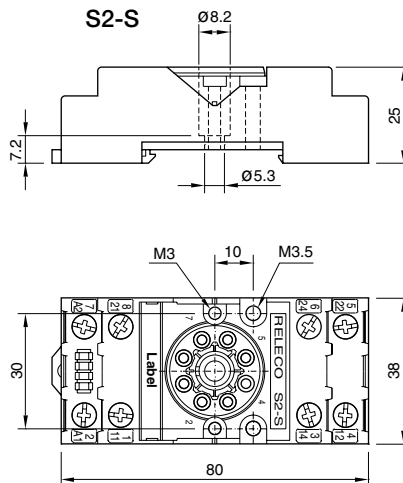
Accepts the exclusive Releco coding ring for coding both the relay and base. DIN rail or panel mountable. Removable label. EN/DIN and sequential numbering. According to EN60947

Wiring diagram



Specifications

Nominal load 10A/300V
 Dielectric strength (adjacent screws) 2,5 KV
 Dielectric strength (screws/rail) 2,5 KV
 Max. screw torque 1,2 Nm
 Screw dimensions M3, Pozi
 Wire in-lets capacity:
 Solid wire 4 mm² or 2 x 2,25 mm²
 Multi-core 22 - 14 AWG

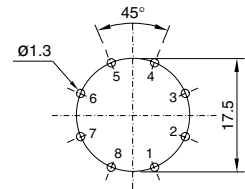


S2-L **S2-PO**
8 pin, solder and printed circuit tags

S2-L Flange panel mountable.

S2-PO Printed circuit tags with flange.

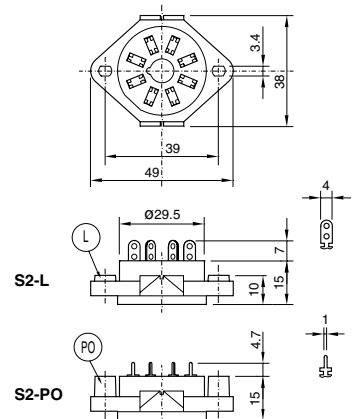
Printed circuit lay-out



Specifications

Nominal load 10 A/300 V
 Dielectric strength (adjacent pin) 2,5 KV
 Hard brass, tin-plated terminals

S2-L **S2-PO**



S2-BC Coding Ring

Can be used to code a specific relay to fit a specific socket up to 8 combinations. Supplied in a pack of 5 pieces.