

Features

- Compact, requires only 22.7 mm diameter panel space
- No backlash
- For use with precision potentiometers or other rotating devices up to 15 turns
- Designed for use with plastic shafts
- RoHS compliant*

H-506 Turns-Counting Dial

Mechanical and Physical Characteristics

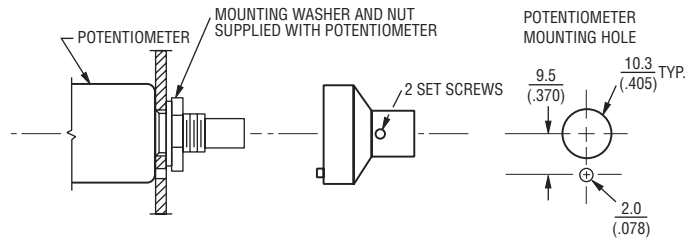
| | |
|-----------------------------------|---|
| Number of Turns | 0 to 15 |
| Dial Divisions | 50 per turn |
| Readability - Over 10 Turns | .2 parts in 1000 |
| Torque With Brake Engaged | 5.0 N-cm (7.0 oz-in.) minimum |
| Markings | White on black background |
| Locking Brake | Yes |
| Weight | 7 grams (0.25 oz.) |
| Set Screws | ISO M3x 0.35, 2 screws included, 120° apart |
| Set Screw Tightening Torque | 16.94 N-cm (1.5 lbs.-in.) minimum |
| Hex Key Size | Single slotted screwdriver |

Shaft and Bushing Requirements

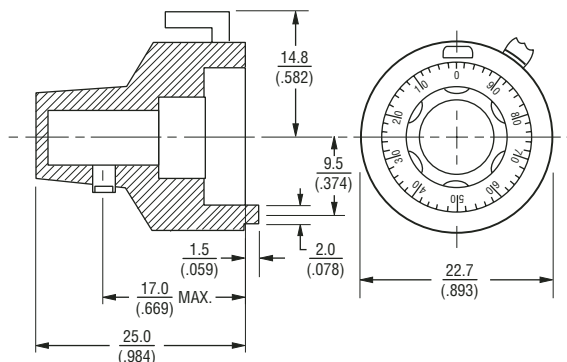
| | |
|--------------------------------------|--|
| Shaft Diameter Requirements | Refer to chart below |
| Shaft Extension Beyond Panel | 17.5 mm (0.6890 in.) minimum 22.5 mm (0.8858 in.) maximum |
| Bushing Extension Beyond Panel | 10 mm (0.3937 in.) maximum |

H-506 MOUNTING INSTRUCTIONS

1. Drill 2.0 mm (.0787 in.) diameter anti-rotation pin hole on vertic centerline, 9.5mm (.375 in.) below center of potentiometer mounting hole.
2. Mount potentiometer in panel with nut and lockwasher supplied with the potentiometer.
3. Turn potentiometer shaft counterclockwise to obtain minimum resistance or voltage ratio. This is not necessarily identical with mechanical stop.
4. Loosen set screws in knob of dial. Set dial to "0.0" reading.
5. While holding outer ring of dial, position unit lightly against panel. Tighten knob set screws to potentiometer shaft.



Dimensional Drawings



TOLERANCES: EXCEPT WHERE NOTED
 DECIMALS: XX ± .51 (.020) XXX ± .13 (.005)
 FRACTIONS: ±1/64
 DIMENSIONS: MM (IN.)

How to Order

| Part Number | Accepts Shaft Diameter | Finish |
|-------------|------------------------|--------------|
| H-506-1/4 | 6.35 mm (.250) | Satin Chrome |
| H-506-6M | 6 mm (.236) | Satin Chrome |

REV. 04/07

*RoHS Directive 2002/95/EC Jan 27 2003 including Annex.
 Specifications are subject to change without notice.
 Customers should verify actual device performance in their specific applications.