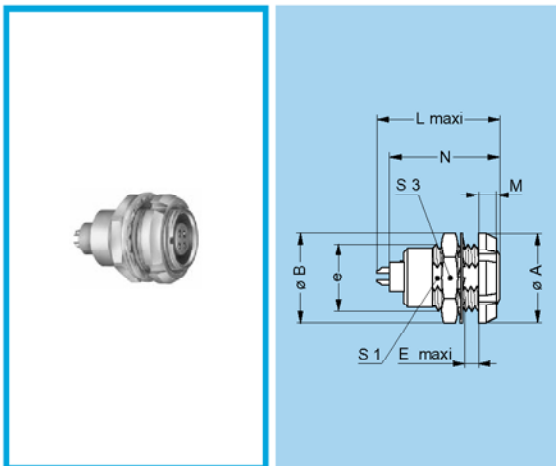


EFG Fixed socket, nut fixing, key (G) or keys (A...M), with two flats on the shell and O-ring (back panel mounting)

Reference		Dimensions (mm)								
Model	Series	A	B	e	E	L	M	N ¹⁾	P	S2
EFG	0B	12	12.5	M9x0.6	5.5	20.7	2.5	19.1	9	8

Panel cut-out: **P2**

Note: ¹⁾ maximum length with crimp contacts.



ECG Fixed socket with two nuts, key (G) or keys (A...M and R) (back panel mounting)

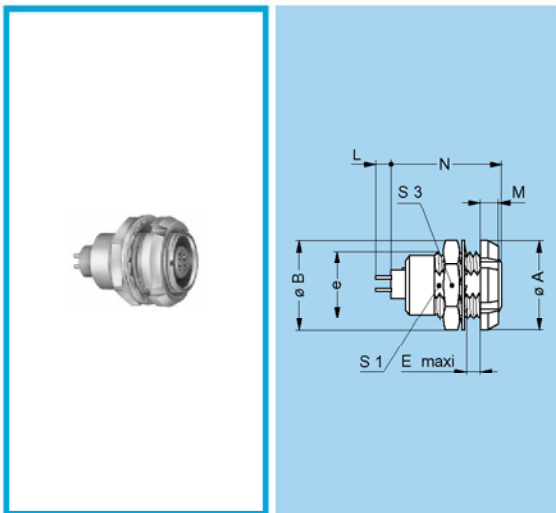
Reference		Dimensions (mm)								
Model	Series	A	B	e	E	L	M	N ¹⁾	S1	S3
ECG	00	10	9.5	M7x0.5	4.3	13.7	2.5	13.7	6.3	9
ECG	0B	12	12.5	M9x0.6	5.5	20.7	2.5	19.1	8.2	11
ECG	1B	16	16.0	M12x1.0	6.0	23.0	3.5	21.1	10.5	14
ECG	2B	20	20.0	M15x1.0	6.5	26.7	3.5	24.6	13.5	17
ECG	3B	24	25.0	M18x1.0	9.0	30.7	4.5	28.1	16.5	22
ECG	4B	30	32.0	M25x1.0	10.0	35.7	4.5	32.6	23.5	30
ECG	5B	41	40.0	M35x1.0	9.0	43.5	5.0	39.6	33.5	—

Note: ¹⁾ maximum length with crimp contacts.

Panel cut-out: **P1**

The 3B, 4B and 5B series are delivered with a conical nut.

The 5B series is delivered with a tapered washer and a round nut.



ECG Fixed socket with two nuts, key (G) or keys (A...F and R) and straight contact for printed circuit (back panel mounting)

Reference		Dimensions (mm)								
Model	Series	A	B	e	E	M	N	S1	S3	
ECG	00	10	9.5	M7x0.5	4.3	2.5	13.7	6.3	9	
ECG	0B	12	12.5	M9x0.6	5.5	2.5	16.4	8.2	11	
ECG	1B	16	16.0	M12x1.0	6.0	3.5	19.8	10.5	14	
ECG	2B	20	20.0	M15x1.0	6.5	3.5	21.8	13.5	17	
ECG	3B	24	25.0	M18x1.0	9.0	4.5	25.8	16.5	22	
ECG	4B	30	32.0	M25x1.0	10.0	4.5	29.8	23.5	30	
ECG	5B	41	40.0	M35x1.0	9.0	5.0	36.8	33.5	—	

Panel cut-out:

P1

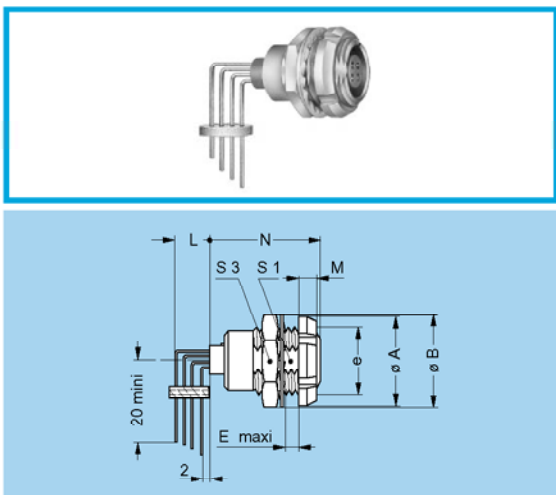
PCB drilling pattern:

P15

Note: this contact type is available for E●● socket models fitted with female contacts. Length «L» depends on the number of contacts, see table on page 192.

The 5B series is delivered with a tapered washer and a round nut.

The 3B, 4B and 5B series are delivered with a conical nut.



ECG Fixed socket with two nuts, key (G) or keys (A...F) with elbow (90°) contact for printed circuit (back panel mounting)

Reference		Dimensions (mm)								
Model	Series	A	B	e	E	M	N _{max}	S1	S3	
ECG	0B	12	12.5	M9x0.6	2.4	2.5	18.3	8.2	11	
ECG	1B	16	16.0	M12x1.0	6.0	3.5	20.3	10.5	14	
ECG	2B	20	20.0	M15x1.0	6.5	3.5	22.3	13.5	17	
ECG	3B	24	25.0	M18x1.0	9.0	4.5	25.8	16.5	22	

Panel cut-out: **P1**

PCB drilling pattern: **P17**

Note: this female contact type is available for all back panel mounting socket models. Length «L» depends on the number of contacts, see PCB drilling pattern on page 193.

For male contacts, sockets are available upon request, with J, K or L keys.

The 3B series is delivered with a conical nut.