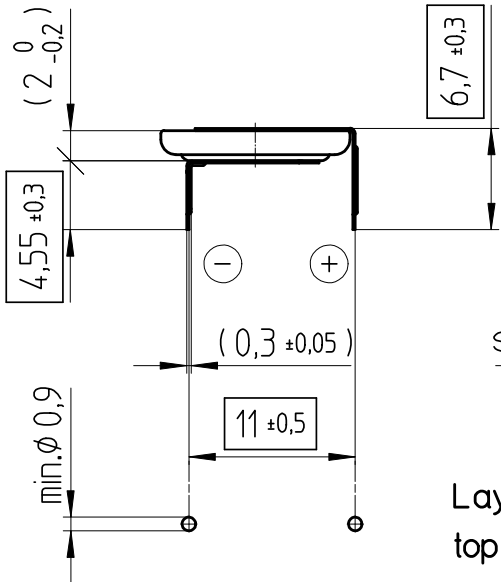
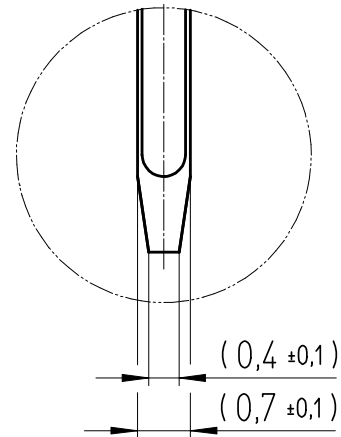
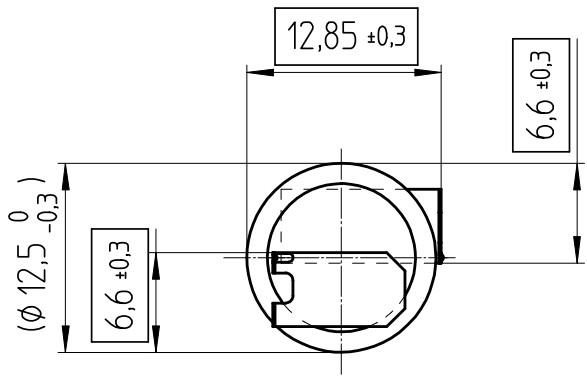
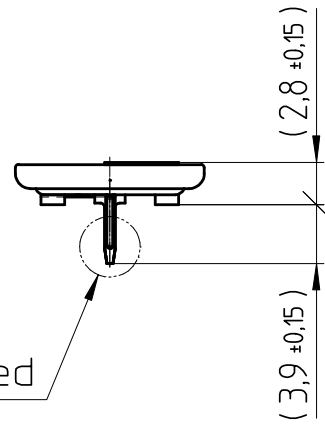


Art.-Number: 701063



Layout
top view

solder plated



- Samples can deviate in the execution from the serie.

Tab material: Stainless steel

All framed values will be used for dimension checking !

- Dimensions and tolerances can be specified only after the testing of the devices for the mass production definitely

Rev.	○			Rev.	○			Customer's Approval			
Rev.	○			Rev.	○			Date			
Rev.	○			Rev.	○			Signature			
Titel: CR1220FH-LF								Scale 2:1	Drawn	21.12.04	SRi
									Checked	07.02.05	MHo
									Approved		
renata batteries				CH-4452 Itingen Switzerland				3.8700.4-			