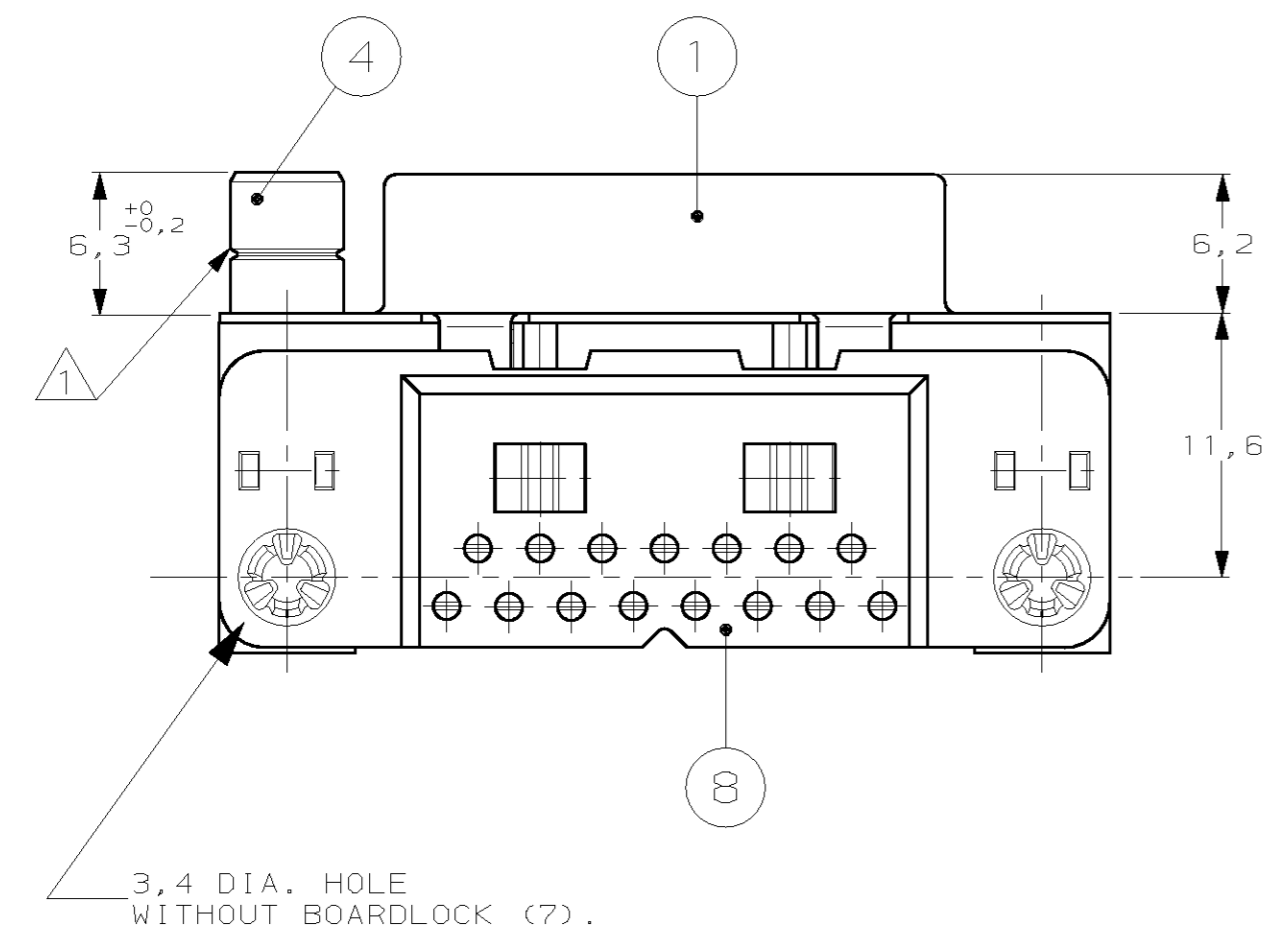
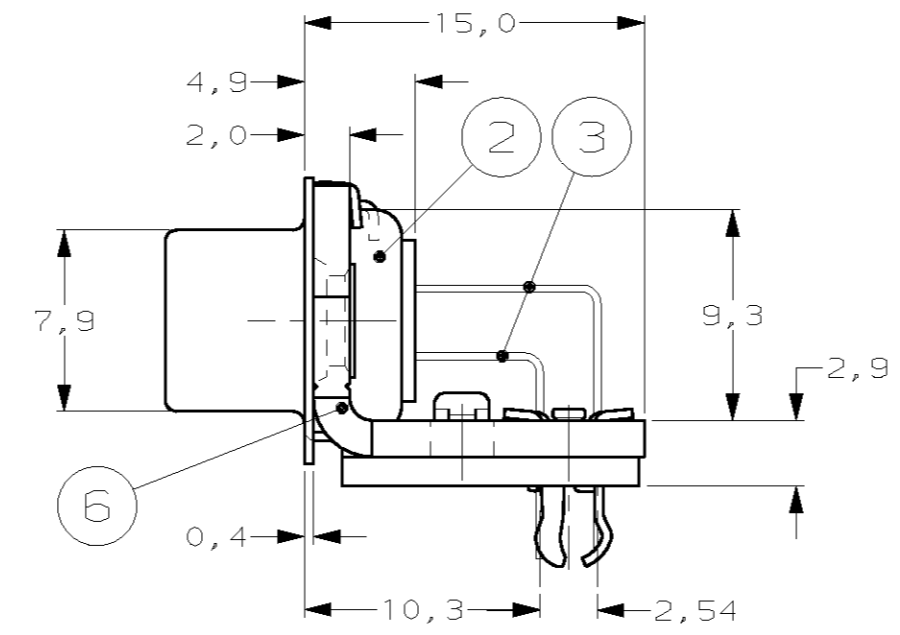
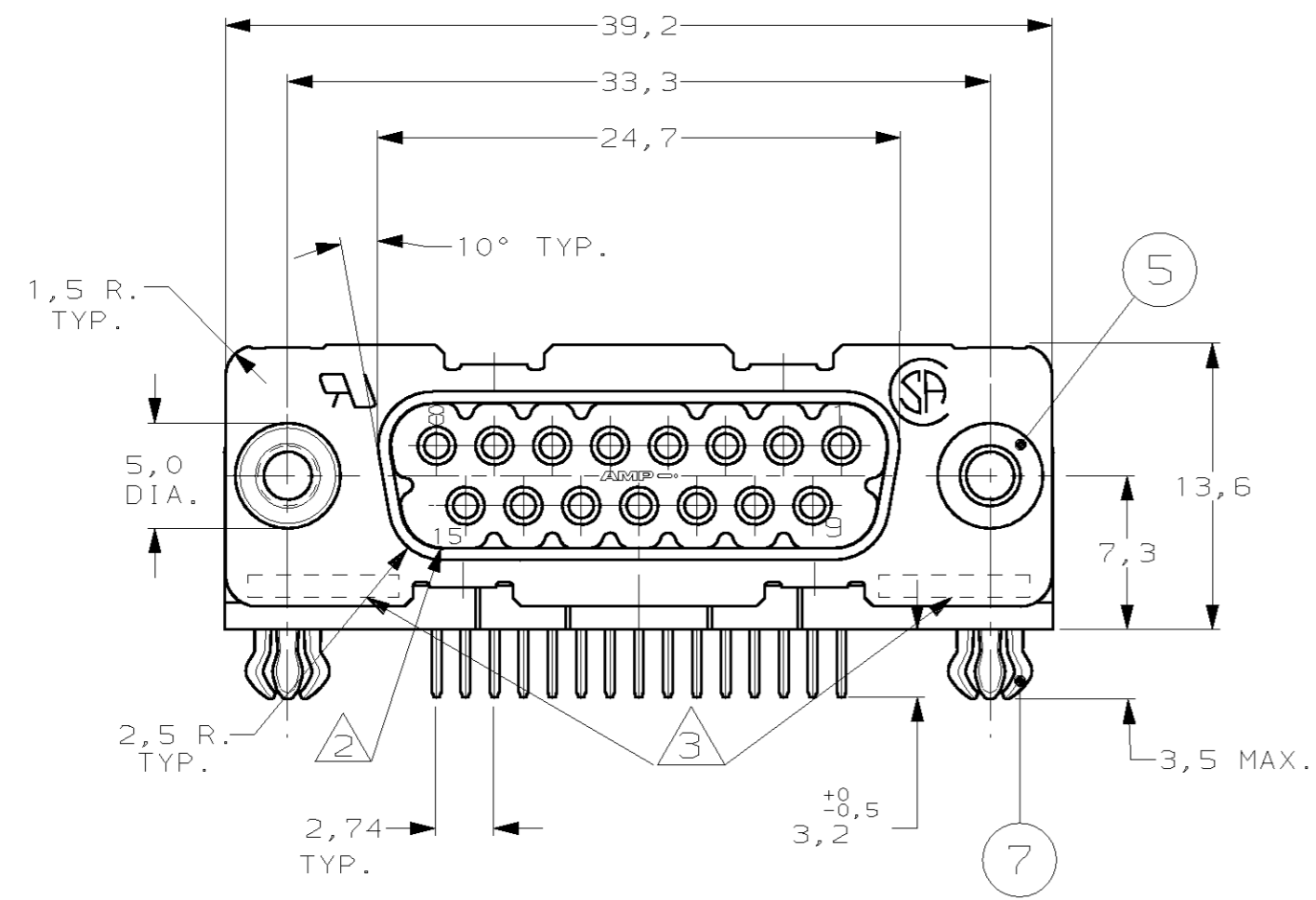


DO NOT SCALE

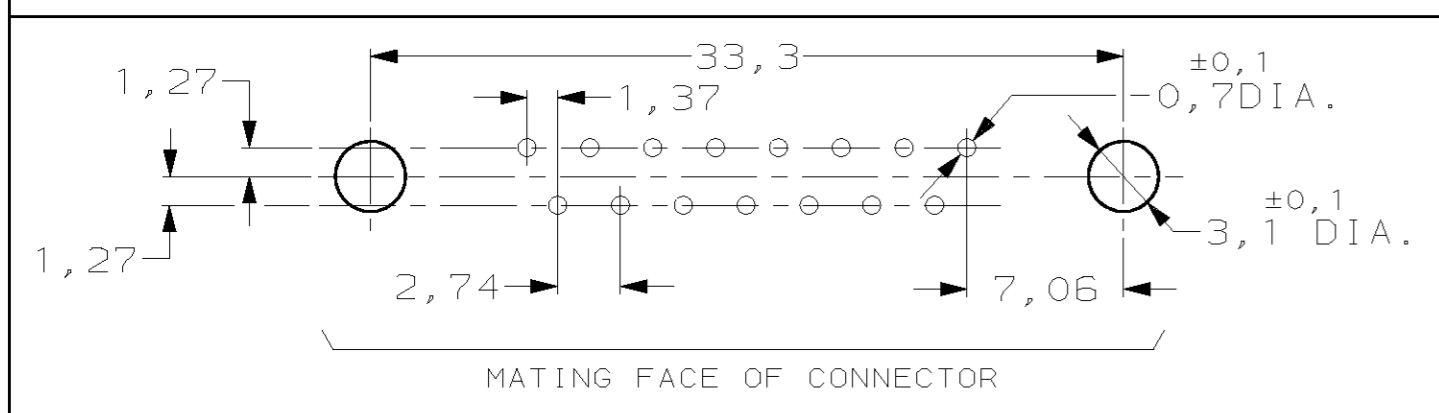
METRIC

THIRD ANGLE PROJECTION

DIMENSIONS IN mm



RECOMMENDED P.C. BOARD HOLE-LAYOUT



ACCESSORIES PREFIX "Z"	DESCRIPTION	QTY	QTY	QTY	QTY	QTY	QTY	QTY	QTY
5	BUSHING WITH THROUGH HOLE 3,1 DIA.	2							
5	BUSHING WITH INNER THREAD 4-40 UNC	2							
5	BUSHING WITH INNER THREAD M3		2						
4	FEMALE SCREWLOCK WITH 4-40 UNC			2					
4	FEMALE SCREWLOCK WITH M3				2				
7	BOARDLOCK	2	2	2	2	2	2	2	2

HOW TO ORDER:	DESCRIPTION OF ACCESSORY	0	1	2	3	4	5	6	7	8	9
15 POS.-----> Z-106506-Y											
PREFIX FOR ACCESSORIES											
BASIC PARTNR.											
SUFFIX FOR PLATING											

PLATING SUFFIX "Y"	DESCRIPTION
-Y = -2	GOLD OVER NICKEL AS PER PERFORMANCE LEVEL 2 (DIN 41652)
-	SOLDERPART : 2,5µm TIN OVER NICKEL
-	-

NOTES :

① GROOVE INDICATES VERSION WITH 4-40 UNC INNER THREAD; WITHOUT GROOVE INDICATES VERSION WITH M3 INNER THREAD.

② CAVITY IDENTIFICATION AT FRONT SIDE ONLY.

③ PARTNUMBER AND DATE CODE.

ITEM NRS./MATERIAL :

① SHELL	: BRIGHT TINPLATED STEEL
② HOUSING	: GLASSFILLED POLYESTER, COLOR : BLACK
③ CONTACTS	: PHOSPHORBRONZE (PLATING : SEE TABLE ABOVE)
④ FEMALE SCREWLOCK	: TINPLATED STEEL (INNER THREAD 4-40 UNC OR M3)
⑤ BUSHING	: TINPLATED STEEL (INNER THREAD 4-40 UNC OR M3 OR 3,1 DIA THRU-HOLE)
⑥ BRACKET	: TINPLATED STEEL
⑦ BOARDLOCK	: TINPLATED PHOSPHORBRONZE
⑧ POST ALIGNMENTPLATE	: GLASSFILLED NYLON. COLOR : BLACK

CUSTOMER DRAWING				FOR REFERENCE ONLY WILL NOT BE UPDATED	
© COPYRIGHT 19- BY AMP-HOLLAND B.V. ALL INTERNATIONAL RIGHTS RESERVED. AMP PRODUCTS MAY BE COVERED BY U.S. AND FOREIGN AND/OR PATENTS PENDING.					
THIS DRAWING IS UNPUBLISHED RELEASED FOR PUBLICATION					
AMP				AMP-HOLLAND B.V. 's-Hertogenbosch, The Netherlands.	
H	EHCO-0061-04	JvdH	PDJ	07 APR 04	NAME
G	EH-0033-99	D.K.	W.S.	14 JAN 99	HD-20 SIZE 2 RIGHT ANGLE RECEPTACLE HEADER; MARK II*
LTR.	REVISION RECORD	DR.	CHK.	DATE	
DR.:	D. KESSLER	CHK.:	W. SOOMERS	APP.:	-
DATE:	14 JAN 99	DATE:	-	DATE:	-
DWG.No.	C-106506	REV.LTR.	H	SHEET	1 OF 1