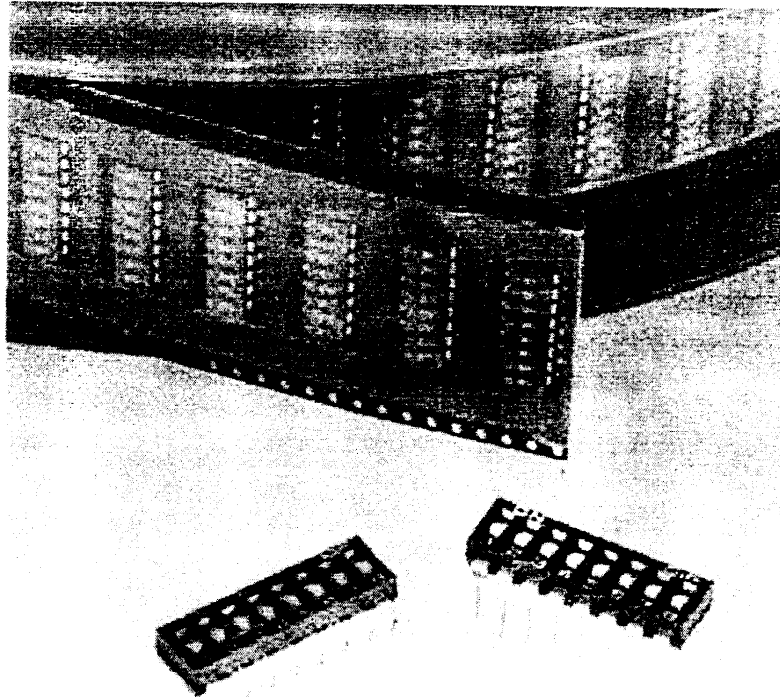




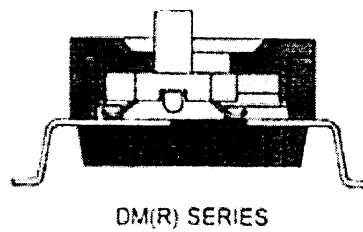
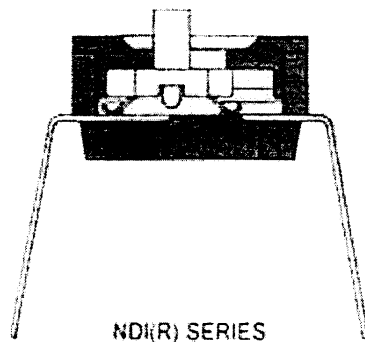
Products

- ▣ *DIP SWITCH*
- ▣ *TACT SWITCH*

▣ *NDI(R), DM(R) SERIES MACHINE INSERTABLE TYPE DIP SWITCH*



◆ **CONTACT SYSTEM**



- Double contacts.
- Low contact resistance.
- High reliability
- Self-clean on contact area.

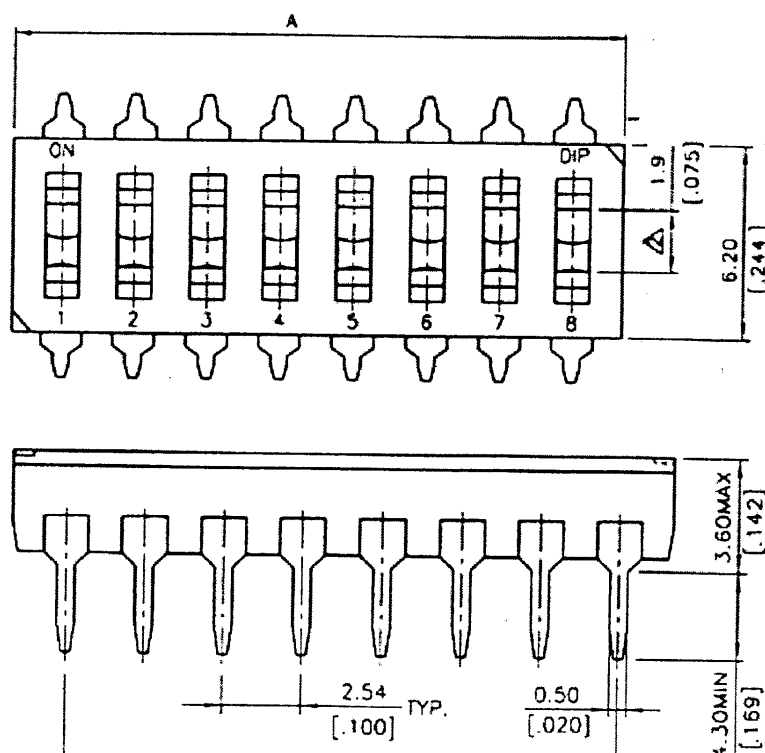
● **FEATURES**

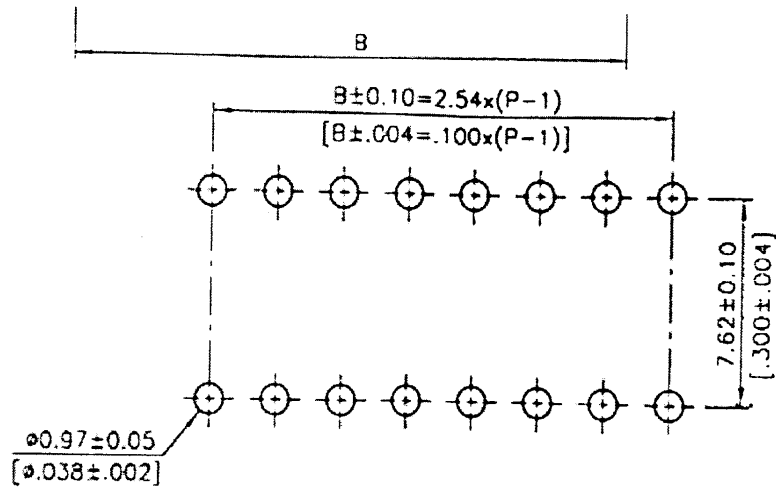
1. Splay terminals allow for automatic insertion by IC insertion machine.
2. Straight terminals are available for manual insertion.
3. Insert molding of terminals and ultrasonic welding improve flux proofness and enable flux washing in whole by top tape sealing.
4. NDI series(raised actuator)and NDIR series (recessed actuator)available for different purposes.
5. Double contacts offer high reliability.
6. Vapor phase solderable,IR-reflow solderable.
7. Terminal plating by gold give excellent results when soldering.

● MATERIALS

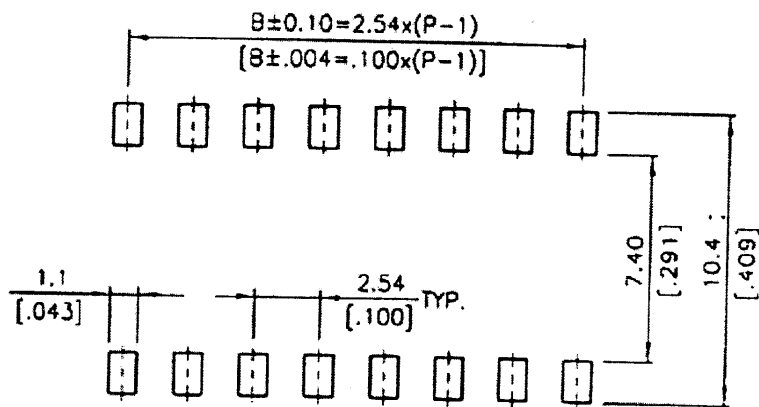
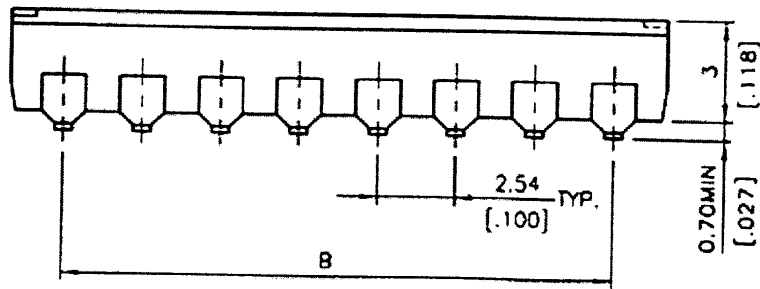
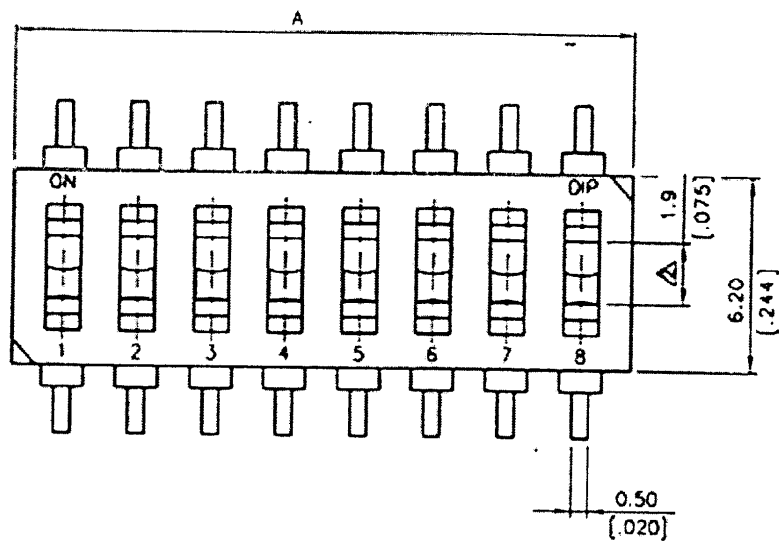
△BASE & COVER:	UL94V-O PPS High Temp. Thermoplastic. Color:Black.
△ACTUATORS:	UL94V-O Nylon Thermoplastic. Color:White.
△CONTACT:	Alloy Copper.
△TERMINAL:	Brass.
△CONTACT PLATING:	Gold.
△TERMINAL PLATING:	Gold.

◆ DIMENSIONS



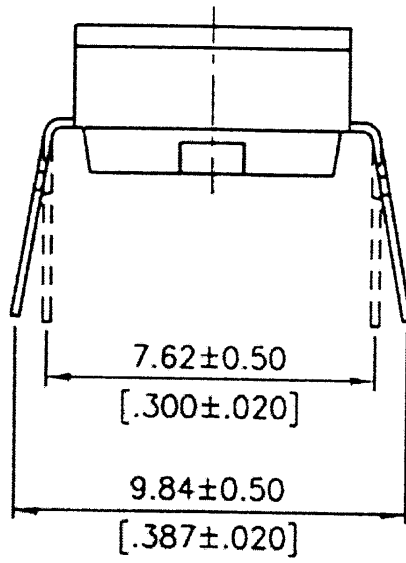


P.C.B. LAYOUT

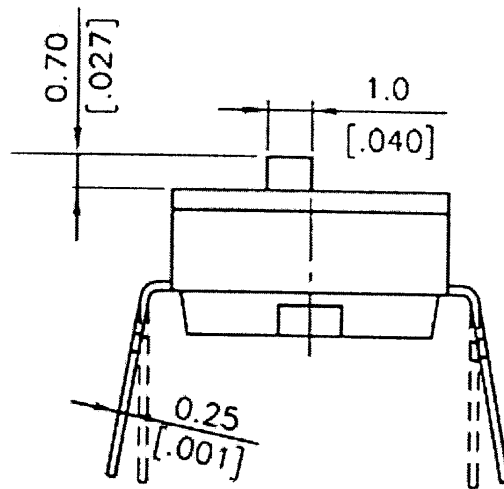


P.C.B. LAYOUT

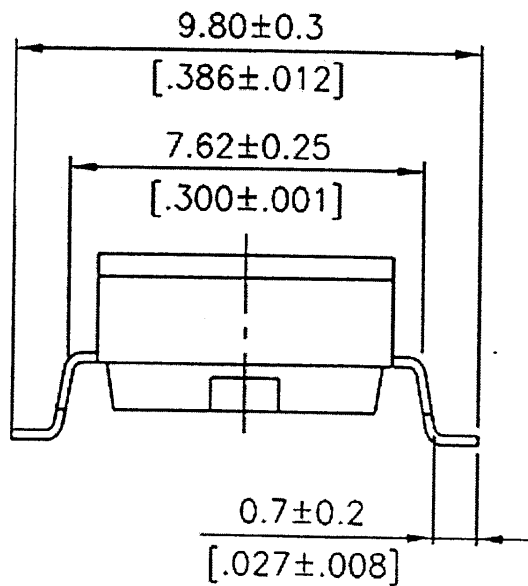
● TERMINAL TYPE



NDIR SERIES

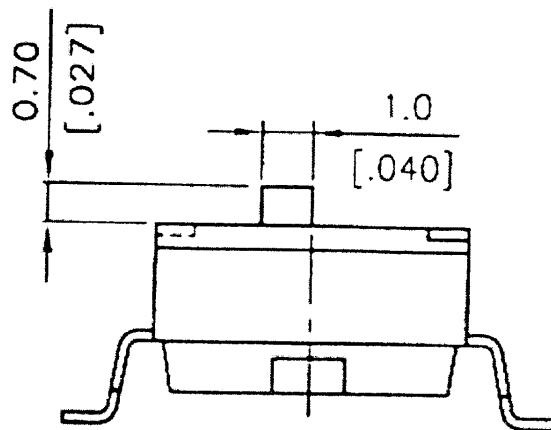


NDI SERIES



DMR SERIES

i@

DM SERIES

General Tolerance: $\pm 0.2\text{mm}$ ($\pm 0.008''$)

● **SPECIFICATION**

MECHANICAL

Mechanical Life: 2000 operations per switch.

Operation Force: 1000gf max.

Stroke: 0.9mm.

Operation Temp: -20°C to 70°C

Storage Temp: -40°C to 85°C

Vibration Test: MIL-STD-202F METHOD 201A.

Frequency: 10-55-10Hz/1 min.

Directions: X,Y,Z, three mutually perpendicular directions.

Time: 2 hours each direction.

High reliability.

Shock Test: MIL-STD-202F METHOD 213B.
CONDITION A.

Gravity: 50G(peak value), 11 msec.

Direction 6 sides and 3 times

And times: in each direction.

High reliability.

ELECTRICAL

Electrical Life: 2000 operation cycles min. per switch
24 VDC, 25mA.

Non-Switching Rating: 100mA, 50VDC

Switching Rating: 25mA, 24VDC.

Contact Resistance: (a) 50m Ω max. at initial.
(b) 100m Ω max. after life test.

Insulation Resistance: 100M Ω min. at 500VDC.

Dielectric Strength: 500VAC/1 minute.

Capacitance: 5pF max.

Circuit: Single pole single throw.

● SOLDERING AND CLEANING PROCESSES

For best results, please follow these recommendations:

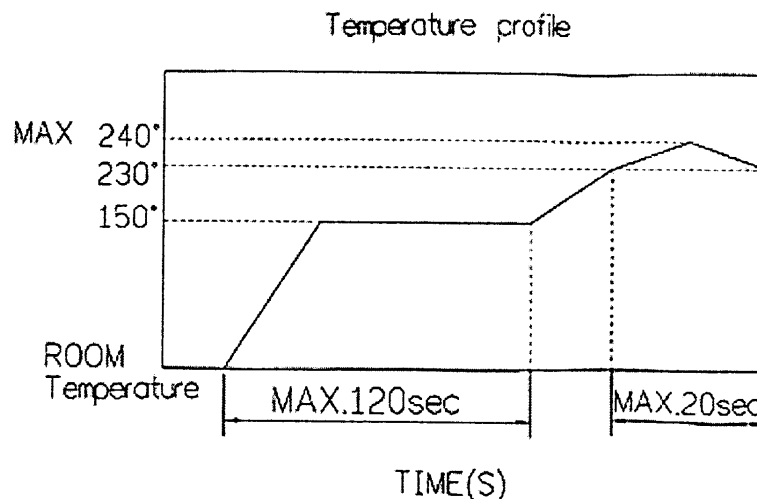
△ Keep all switch contacts in their "OFF" position for all operations.

△ HAND SOLDERING: Use a soldering iron of 30 watts or less, controlled at 608 ϕ K (320 ϕ J) approximately 2 seconds while applying solder.

△ WAVE SOLDERING: Recommended Solder Temperature at 500 ϕ K (260 ϕ J) max. 5 seconds.


△ REFLOW SOLDERING:

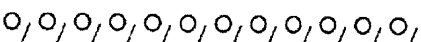
△ REFLOW TEMPERATURE PROFILE.

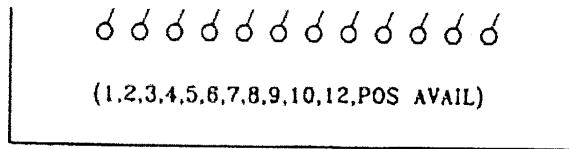


△ CLEANING PROCESSES: Flux clean using force rinse, high agitation or triple bath cleaning method. Freon TF or TE give excellent results. When vapor methods are used, do not subject the switch to solvents at temperature above 125 ϕ K (51 ϕ J).

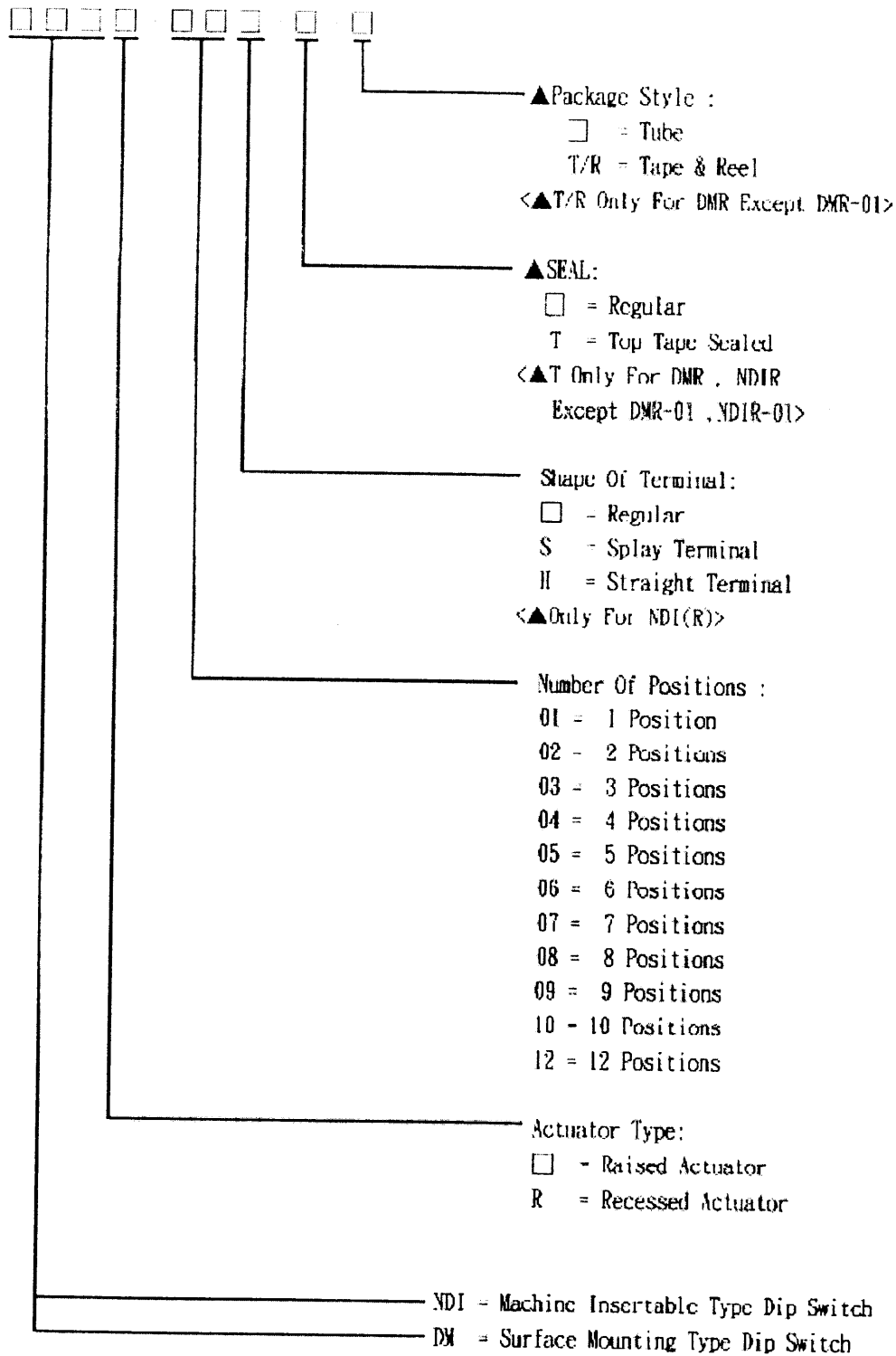
● MODELS

NDI -12 NDR-12	12	31.42[1.237]	27.94[1.100]
NDI -10 NDR-10	10	26.34[1.037]	22.86[.900]
NDI -09 NDR-09	9	23.80[.937]	20.32[.800]
NDI -08 NDR-08	8	21.26[.837]	17.78[.700]
NDI -07 NDR-07	7	18.72[.737]	15.24[.600]
NDI -06 NDR-06	6	16.18[.637]	12.70[.500]
NDI -05 NDR-05	5	13.64[.537]	10.16[.400]
NDI -04 NDR-04	4	11.10[.437]	7.62[.300]
NDI -03 NDR-03	3	8.56[.337]	5.08[.200]
NDI -02 NDR-02	2	6.02[.237]	2.54[.100]
NDI -01 NDR-01	1	3.48[.137]	—
PROD. NO.	NO. OF POS.	DIM. A	DIM. B
SCHEMATIC(TYP.)			
			
(1,2,3,4,5,6,7,8,9,10,12, POS AVAIL)			

DM -12 DMR-12	12	31.42[1.237]	27.94[1.100]
DM -10 DMR-10	10	26.34[1.037]	22.86[.900]
DM -09 DMR-09	9	23.80[.937]	20.32[.800]
DM -08 DMR-08	8	21.26[.837]	17.78[.700]
DM -07 DMR-07	7	18.72[.737]	15.24[.600]
DM -06 DMR-06	6	16.18[.637]	12.70[.500]
DM -05 DMR-05	5	13.64[.537]	10.16[.400]
DM -04 DMR-04	4	11.10[.437]	7.62[.300]
DM -03 DMR-03	3	8.56[.337]	5.08[.200]
DM -02 DMR-02	2	6.02[.237]	2.54[.100]
DM -01 DMR-01	1	3.48[.137]	—
PROD. NO.	NO. OF POS.	DIM. A	DIM. B
SCHEMATIC(TYP.)			
			



● HOW TO ORDER



Example:

DMR-08-T is a Surface Mounting Type Dip Switch Recessed Actuator 8 Position, with Top Tape Sealed.
 NDIR-08-T is a Machine insertable Type Dip Switch Recessed Actuator 8 Position, with Top Tape Sealed.

● **PACKING**

All DIP switches are shipped in standard IC tubes or DMR in Tape & Reel Package with all poles in the "OFF" position.

SPECIFICATIONS ARE SUBJECT TO CHANGE WITHOUT NOTICE.
*MORE UPDATE INFORMATION, PLEASE CONSULT DIPTRONICS.



[About
DIPTRONICS](#)

[Products](#)

[Business
Connection](#)

[News](#)

[Enquiry Form](#)

[Home](#)