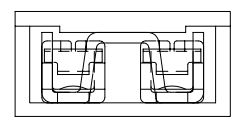
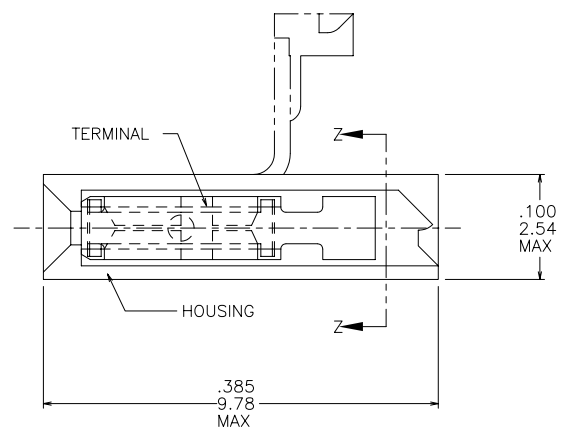
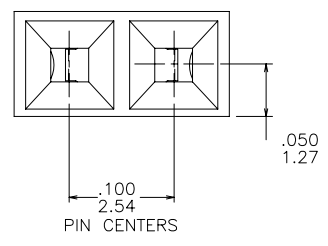
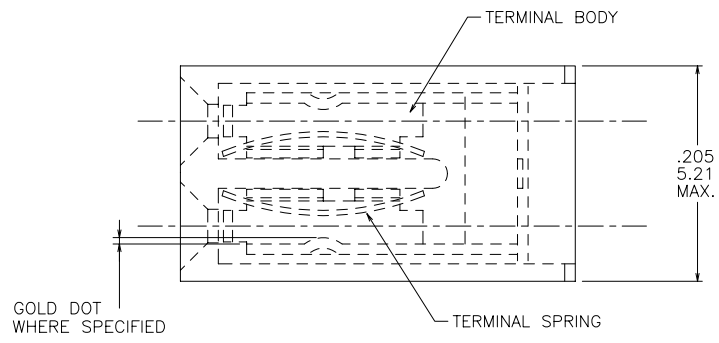




FCIconnect.com

Copyright FCI



SECTION ZZ

NOTES:

- ① HOUSING MATERIAL IS FLAME RETARDANT PER UL 94V-0 OR EQUIV.
- ② PRODUCT NUMBER 65474-810 TO BE MARKED "BERG" CAGE 22526, DESC XXXXX-XX (NO. TO BE ASSIGNED), AND DATE ON PACKAGING LABEL.
- ③ ADD "LF" SUFFIX AT THE END OF PART NUMBER FOR LEAD FREE OPTION.
- ④ THESE PRODUCTS MEET EUROPEAN UNION DIRECTIVES AND OTHER COUNTRY REGULATIONS AS DESCRIBED IN GS-22-008.
- 5. THE PRODUCT IS NOT INTENDED TO BE EXPOSED TO A MANUFACTURING SOLDER PROCESS.
- ⑥ "THIS PRODUCT HAS 100% TIN PLATING IN THE INTERFACE AND HAS NOT BEEN TESTED FOR WHISKERS GROWTH IN ALL INTERCONNECT ENVIRONMENTS."

mat'l. code		surface ISO 1302 ✓		tolerance ISO 406 ISO 1101		projection ⊕-∇		product family JUMPER	
ltr	ecn	no	dr	date		tolerances unless otherwise specified		title	
P	V41246	SAR		11/4/94		.xx±.01/.3		MINI-JUMP ASSEMBLY	
R	V50585	SAR		6/26/95		linear .xxx±.005/.13		.100/2.54cc	
S	V50969	SAR		8/3/95		0°±2'		scale 6:1	
T	M05-0205	ERE		09/29/05		dr S. ROYER 11/4/94		dwg no sheet 1 of 2 size	
U	M06-0238	MN		06/16/06		enr L. FYE 11/4/94		65474 A3	
V	M06-0389	AGS		10/4/06		chr L. FYE 11/4/94		type Product Customer Drawing	
sheet index		revision sheet		V V		appd L. FYE 11/4/94			
1		1 2							

PRODUCT NUMBER NOTE 3	HOUSING COLOR	TERMINAL BODY		TERMINAL SPRING		HOUSING MATERIAL
		MATERIAL	PLATING	MATERIAL	PLATING	
65474-001	BLUE	.010/.25 THICK 1/4 HD BRASS ALLOY UNS C26000	STRIPE, 40u"/1.02u Au at CONTACT REMAINDER FLASH Au 50u"/1.27u Ni	.0048/.122 THICK BE-CU ALLOY UNS C17200 HEAT TREATED	P-Ni/M-050 P-Au/M-003	PLAIN POLYESTER NOTE 1
-002	BLUE	.010/.25 THICK 1/4 HD BRASS ALLOY UNS C26000	SN PLATED	.0048/.122 THICK BE-CU ALLOY UNS C17200 HEAT TREATED	TIN PLATED	PLAIN POLYESTER NOTE 1
-003	DISCONTINUED					
-004	BLUE	.010/.25 THICK 1/4 HD CuNi ALLOY UNS C72500	.001/.03 MIN THICK GOLD DOT	.0048/.122 THICK BE-CU ALLOY UNS C17200 HEAT TREATED	P-Ni/M-050 P-Au/M-003	PLAIN POLYESTER NOTE 1
-005	BLACK	.010/.25 THICK 1/4 HD CuNi ALLOY UNS C72500	.001/.03 MIN THICK GOLD DOT	.0048/.122 THICK BE-CU ALLOY UNS C17200 HEAT TREATED	P-Ni/M-050 P-Au/M-003	PLAIN NORYL NOTE 1
-006	BLACK	.010/.25 THICK 1/4 HD BRASS ALLOY UNS C26000	STRIPE, 40u"/1.02u Au at CONTACT REMAINDER FLASH Au 50u"/1.27u Ni	.0048/.122 THICK BE-CU ALLOY UNS C17200 HEAT TREATED	P-Ni/M-050 P-Au/M-003	PLAIN NORYL NOTE 1
-007	SAME AS -004 EXCEPT PACKAGING-RESTRICTED					
-008	SAME AS -004 EXCEPT PACKAGING-RESTRICTED					
-009	BLUE	.010/.25 THICK 1/4 HD BRASS ALLOY UNS C26000	STRIPE, 40u"/1.02u Au at CONTACT REMAINDER FLASH Au 50u"/1.27u Ni	.0048/.122 THICK BE-CU ALLOY UNS C17200 HEAT TREATED	30u"/.76u Au	PLAIN NORYL NOTE 1-RESTRICTED
-010	BLUE	.010/.25 THICK 1/4 HD BRASS ALLOY UNS C26000	STRIPE, 30u"/0.76u Au at CONTACT REMAINDER FLASH Au 50u"/1.27u Ni	.0048/.122 THICK BE-CU ALLOY UNS C17200 HEAT TREATED	P-Ni/M-050 P-Au/M-003	PLAIN POLYESTER NOTE 1
65474-810	SAME AS -010 EXCEPT ADD SPECIAL MIL MARKING PER NOTE 2					



Copyright FCI

mat'l. code		surface ISO 1302 <input checked="" type="checkbox"/>		tolerance ISO 406 ISO 1101		projection 		product family JUMPER			
ltr	ecn	no	dr	date	tolerances unless otherwise specified						
v					angles	linear	.xx±.01/.3 .xxx±.005/.13 .xxxx±.0020/.051		INCH/MM		
					0°±2'		scale 6:1				
			dr	S. ROYER	11/4/94			title MINI-JUMP ASSEMBLY .100/2.54cc			
			enr	L. FYE	11/4/94			dwg no		sheet 2 of 2	size
			chr	L. FYE	11/4/94			65474		A3	
			appd	L. FYE	11/4/94			type Product Customer Drawing			
sheet index	revision sheet										