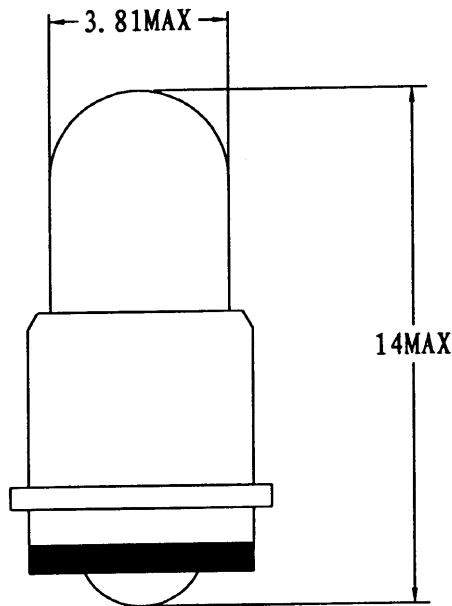
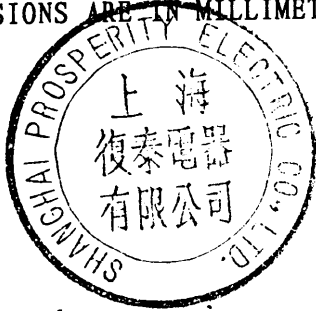


© COPYRIGHT 1998 BY SPC TECHNOLOGY. ALL RIGHTS RESERVED. NO PORTION OF THIS PUBLICATION, WHETHER IN WHOLE OR IN PART CAN BE REPRODUCED WITHOUT THE EXPRESS WRITTEN CONSENT OF SPC TECHNOLOGY.

REVISIONS			DOC. NO. SPC-F004, Total Pages: 2 Effective: 7/15/97, DCP No: 229 Supersedes DCP No: 103					
DCP #	REV	DESCRIPTION	DRAWN	DATE	CHECKED	DATE	APPRVD	DATE
3159292	12	T-1 SUB-MIDGET FLANGE LAMPS 12V0.06A0.15CP 16,000HRS C-2F	CL	2000.1.24	LBI	2000.1.24	SHIH	2000.1.24

NOTE:

- LAMPS SHALL BE CAPABLE OF OPERATION AND STORAGE AT TEMPERATURES FROM -40°C TO +85°C WITHOUT DEGRADATION.
- DIMENSIONS ARE IN MILLIMETERS.



SPC-F004.DWG

ALL STATEMENTS AND TECHNICAL INFORMATION CONTAINED HEREIN ARE BASED UPON INFORMATION AND/OR TESTS WE BELIEVE TO BE ACCURATE AND RELIABLE. SINCE CONDITIONS OF USE ARE BEYOND OUR CONTROL, THE USER SHALL DETERMINE THE SUITABILITY OF THE PRODUCT FOR THE INTENDED USE AND ASSUME ALL RISK AND LIABILITY WHATSOEVER IN CONNECTION THEREWITH.

multicomp

T-1 FB	DRAWN BY:	CL	DATE:	2000.1.24	DRAWING TITLE: MCFPSF-002			
	CHECKED BY:	LBI	DATE:	2000.1.24	SIZE	DWG. NO.	ELECTRONIC FILE	REV
	APPROVED BY:	SHIH	DATE:	2000.1.24	3.81x14 MAX	0PE.157.3φFB.(FS).2		
	SCALE:	U.O.M.:		SHEET: 1 OF 1				