



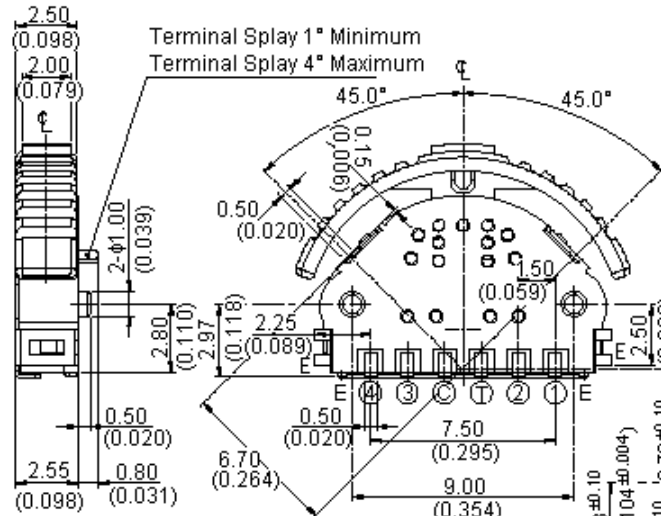
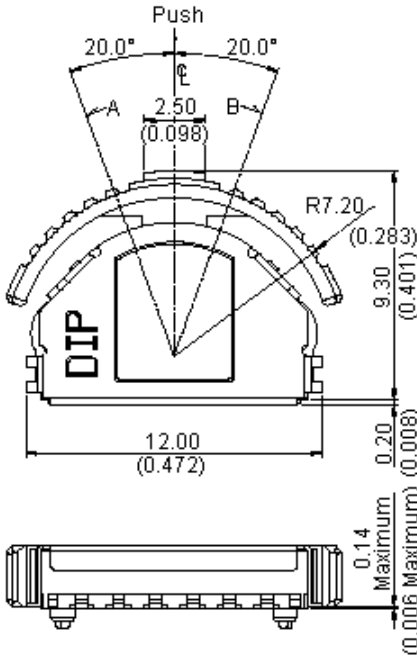
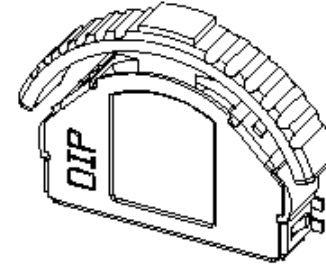
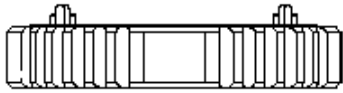
PART NO.

MCPLJ-G2-K-V

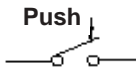
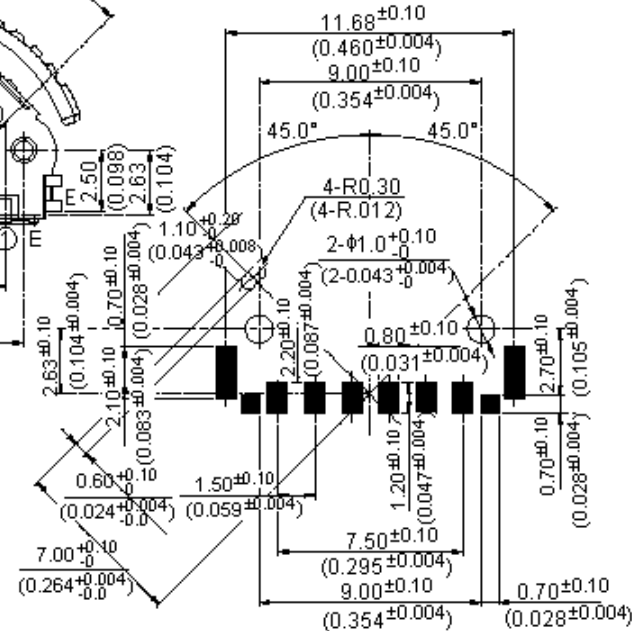
REVISIONS

ECN #	REV	DESCRIPTION	DRAWN	DATE	CHECKD	DATE	APPRVD	DATE
-	A	RELEASED	Geetha	03/6/08	Suresh	03/6/08	G. C	17/6/08

MCPLJG2



PCB Layout



Push Circuit

Angle	A		B			
Terminal No.	20°	(16°)	(8°)	(8°)	(16°)	20°
①						
②						
③						
④						
⊙						

\*E : Erthing Terminal  
 \*■ : On Position

Circuit Diagram

Dimensions : Millimetres (Inches)

This data sheet and its contents (the "Information") belong to the Premier Farnell Group (the "Group") or are licensed to it. No licence is granted for the use of it other than for information purposes in connection with the products to which it relates. No licence of any intellectual property rights is granted. The Information is subject to change without notice and replaces all data sheets previously supplied. The Information supplied is believed to be accurate but the Group assumes no responsibility for its accuracy or completeness, any error in or omission from it or for any use made of it. Users of this data sheet should check for themselves the Information and the suitability of the products for their purpose and not make any assumptions based on information included or omitted. Liability for loss or damage resulting from any reliance on the Information or use of it (including liability resulting from negligence or where the Group was aware of the possibility of such loss or damage arising) is excluded. This will not operate to limit or restrict the Group's liability for death or personal injury resulting from its negligence. SPC MULTICOMP is the registered trademark of the Group. © Premier Farnell plc 2008.

TOLERANCES:

UNLESS OTHERWISE SPECIFIED, DIMENSIONS ARE FOR REFERENCE PURPOSES ONLY.

DRAWN BY:	DATE:
Geetha	03/06/08
CHECKED BY:	DATE:
Suresh	03/06/08
APPROVED BY:	DATE:
G.Cook	17/06/08

DRAWING TITLE:

Navigation Switch - Push and Lever

SIZE	DWG NO.	ELECTRONIC FILE	REV
A	M10001225	PL-V_DWG	A
SCALE: NTS	U.O.M.: mm (Inches)	SHEET: 1 OF 3	



PART NO.

MCPLJ-G2-K-V

REVISIONS

ECN #	REV	DESCRIPTION	DRAWN	DATE	CHECKD	DATE	APPRVD	DATE
-	A	RELEASED	Geetha	03/6/08	Suresh	03/6/08	G. C	17/6/08

**Specifications:**

**Mechanical:**

Mechanical life : 100,000 operating cycles.  
 Operating force : (A) Force on return actuator.  
 (A) 40 ±20gf.  
 (B) Force on center push direction.  
 (B) 150 ±50gf.  
 Operating temperature : -10°C to +70°C.  
 Storage temperature : -25°C to +80°C.

**Electrical:**

Electrical Life : 100,000 operating cycles.  
 Non-switching rating : 100mA, 50V dc.  
 Switching rating : 10mA, 5V dc.  
 Maximum contact resistance : (a) 100mΩ at initial.  
 (b) 200mΩ after life test.  
 Minimum insulation resistance : 100MΩ 100V dc.  
 Dielectric strength : 100V ac/minute.  
 Maximum capacitance : 5pF.  
 Circuit : Single pole single throw.

**Material:**

Cover : Stainless steel.  
 Base : PPS thermoplastic.  
 Color : Brown.  
 Stem : Nylon thermoplastic.  
 Color : Gray, black.  
 Contact disc : Phosphor bronze with silver cladding at contact surface.  
 Terminal : Phosphor bronze with silver cladding at contact surface.  
 Spring : SWP or SUS.

**Soldering Processes:**

**For best results, please follow these recommendations:**

**Hand Soldering** : Use a soldering iron of 30 watts, controlled at 350°C approximately 5 seconds while applying solder.  
**Reflow Soldering** : When applying reflow soldering the peak temperature of the reflow oven should be set to 260°C maximum.

This data sheet and its contents (the "Information") belong to the Premier Farnell Group (the "Group") or are licensed to it. No licence is granted for the use of it other than for information purposes in connection with the products to which it relates. No licence of any intellectual property rights is granted. The Information is subject to change without notice and replaces all data sheets previously supplied. The Information supplied is believed to be accurate but the Group assumes no responsibility for its accuracy or completeness, any error in or omission from it or for any use made of it. Users of this data sheet should check for themselves the Information and the suitability of the products for their purpose and not make any assumptions based on information included or omitted. Liability for loss or damage resulting from any reliance on the Information or use of it (including liability resulting from negligence or where the Group was aware of the possibility of such loss or damage arising) is excluded. This will not operate to limit or restrict the Group's liability for death or personal injury resulting from its negligence. SPC MULTICOMP is the registered trademark of the Group. © Premier Farnell plc 2008.

**TOLERANCES:**  
  
**UNLESS OTHERWISE SPECIFIED, DIMENSIONS ARE FOR REFERENCE PURPOSES ONLY.**

<b>DRAWN BY:</b>	<b>DATE:</b>
Geetha	03/06/08
<b>CHECKED BY:</b>	<b>DATE:</b>
Suresh	03/06/08
<b>APPROVED BY:</b>	<b>DATE:</b>
G.Cook	17/06/08

<b>DRAWING TITLE:</b>					
Navigation Switch - Push and Lever					
<b>SIZE</b>	<b>DWG NO.</b>	<b>ELECTRONIC FILE</b>		<b>REV</b>	
A	M10001225	PL-V_DWG		A	
<b>SCALE:</b> NTS			<b>U.O.M.:</b> mm (Inches)		<b>SHEET:</b> 2 OF 3



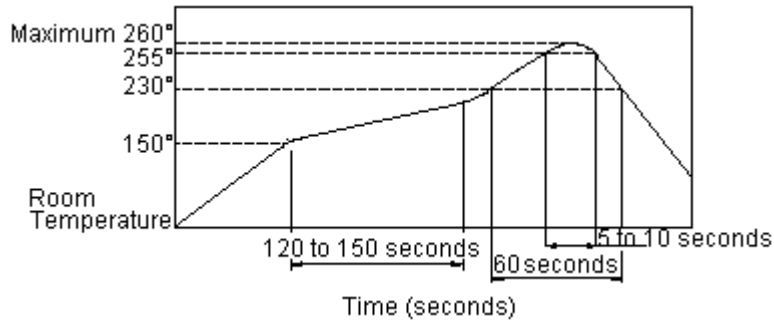
PART NO.

MCPLJ-G2-K-V

REVISIONS

ECN #	REV	DESCRIPTION	DRAWN	DATE	CHECKD	DATE	APPRVD	DATE
-	A	RELEASED	Geetha	03/6/08	Suresh	03/6/08	G. C	17/6/08

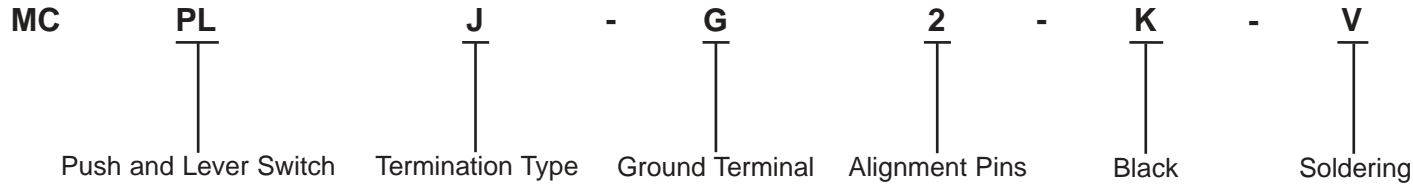
Temperature Profile:



Part Number Table

Description	Part Number
Navigation switch, 3 way SMD	MCPLJ-G2-K-V

Part Number Explanation:



**Termination Type** : J = S.M.T J Bend Terminals.  
**Soldering** : V = Lead Free Solderable.

<http://www.farnell.com>  
<http://www.newark.com>  
<http://www.cpc.co.uk>

This data sheet and its contents (the "Information") belong to the Premier Farnell Group (the "Group") or are licensed to it. No licence is granted for the use of it other than for information purposes in connection with the products to which it relates. No licence of any intellectual property rights is granted. The Information is subject to change without notice and replaces all data sheets previously supplied. The Information supplied is believed to be accurate but the Group assumes no responsibility for its accuracy or completeness, any error in or omission from it or for any use made of it. Users of this data sheet should check for themselves the Information and the suitability of the products for their purpose and not make any assumptions based on information included or omitted. Liability for loss or damage resulting from any reliance on the Information or use of it (including liability resulting from negligence or where the Group was aware of the possibility of such loss or damage arising) is excluded. This will not operate to limit or restrict the Group's liability for death or personal injury resulting from its negligence. SPC MULTICOMP is the registered trademark of the Group. © Premier Farnell plc 2008.

**TOLERANCES:**  
 UNLESS OTHERWISE SPECIFIED, DIMENSIONS ARE FOR REFERENCE PURPOSES ONLY.

<b>DRAWN BY:</b>	<b>DATE:</b>
Geetha	03/06/08
<b>CHECKED BY:</b>	<b>DATE:</b>
Suresh	03/06/08
<b>APPROVED BY:</b>	<b>DATE:</b>
G.Cook	17/06/08

<b>DRAWING TITLE:</b>			
Navigation Switch - Push and Lever			
<b>SIZE</b>	<b>DWG NO.</b>	<b>ELECTRONIC FILE</b>	<b>REV</b>
A	M10001225	PL-V_DWG	A
<b>SCALE:</b> NTS		<b>U.O.M.:</b> mm (Inches)	<b>SHEET:</b> 3 OF 3