

# 16 SERIES (Type 160) MOULDED CASE CURRENT TRANSFORMERS WOUND PRIMARY RANGE

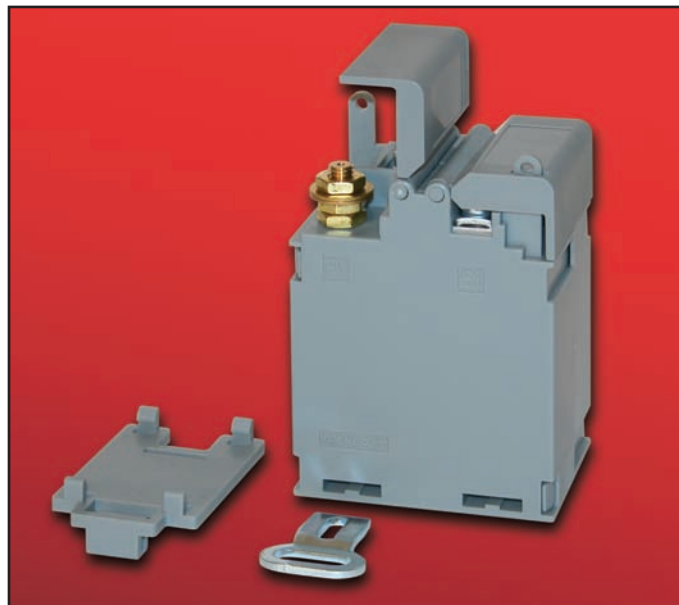
# HOBUT

## DESCRIPTION

A range of compact low cost moulded case current transformers suitable for primary currents from 1A to 50A with built in terminal covers and M6 screw terminals for primary current connection.

## APPLICATION

For transforming various primary currents into 5A or 1A standard secondary.



## FEATURES

- Built in sealable terminal covers.
- Mounting feet supplied.
- DIN rail mounting clip supplied.
- Narrow width - 60mm.

## TECHNICAL SPECIFICATION

- Conforms to IEC 185, BS 7626, BSEN 60044-1 and IEC 60044-1.
- Rated system voltage 0.72/3kV.
- Ambient temperature range -30°C to 85°C.
- Continuous current 1.2 x rated current.

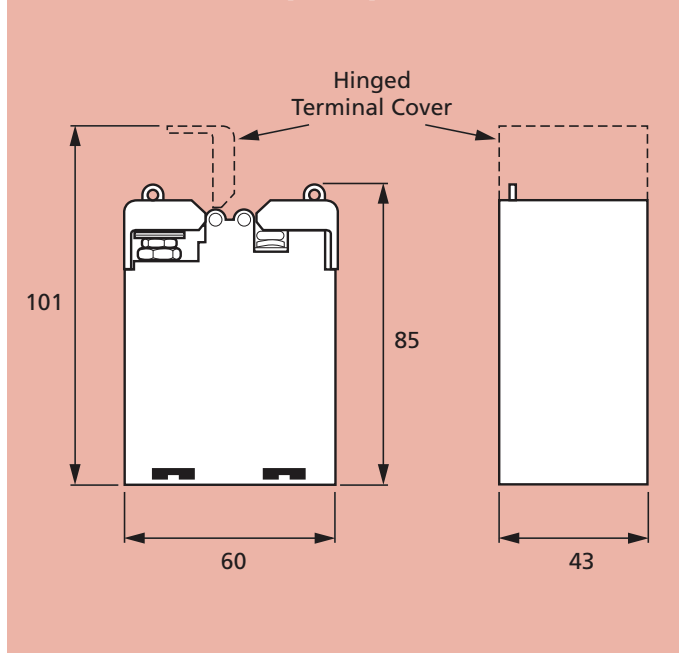
## RANGE

VA	Class 3		5A Secondary Class 1	
	2.5	5	2.5	5
1/5	A3	A4	A7	A8
2.5/5	B3	B4	B7	B8
5/5	C3	C4	C7	C8
7.5/5	D3	D4	D7	D8
8/5	E3	E4	E7	E8
10/5	F3	F4	F7	F8
15/5	G3	G4	G7	G8
20/5	H3	H4	H7	H8
25/5	J3	J4	J7	J8
30/5	K3	K4	K7	K8
40/5	L3	L4	L7	L8
50/5	M3	M4	M7	M8

1A secondary available by request.  
Other accuracies and VAs available by request.

**Order Example:** A 16 series Type 160 wound primary current transformer with 5A secondary and 30A primary 5VA class 1 is part number 160-5-K8

## DIMENSIONS (mm)



Our policy is one of continuous development and therefore specifications may change without notice.

## HOWARD BUTLER LTD

CROWN WORKS, LINCOLN ROAD  
WALSALL WS1 2EB ENGLAND

Tel: 01922 640003 Fax: 01922 723626  
International Tel: +44 1922 640003 E-mail: sales@hobut.co.uk  
<http://www.hobut.co.uk>