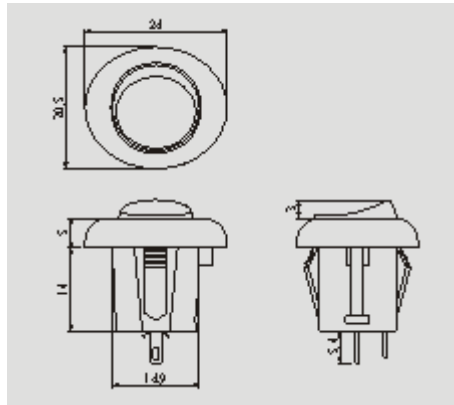


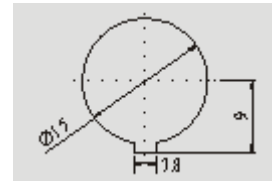
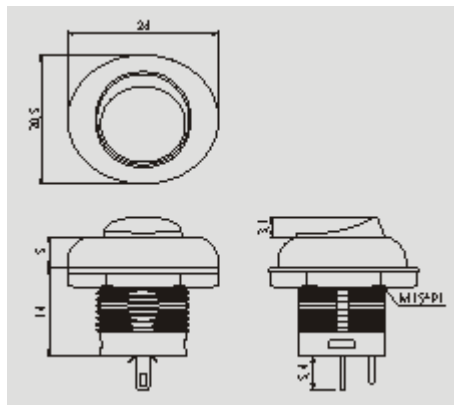
R13-234



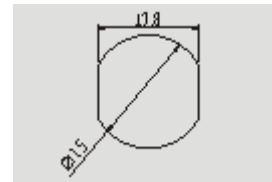
Rating
 6A 125V AC
 3A 250V AC
 Contact resistance
 50mΩ[Max
 Insulation resistance
 DC 500V 100MΩ[Min
 Dielectric strength
 AC 1500V 1 minute
 Cut-out (R13-234)

[How to Order?](#)

R13-241



0.75~3 mm
 Cut-out (R13-241)



6 mm max



FEATURES

- MATERIAL: Frames are nylon (UL flame: 94V-2). Terminals are silver plated brass.
- Nylon with fiber glass base.
- R13-234 Snap-in mounting, easy to install switch into panel.
- R13-241 Screw type.

R13-234

R13-241

FUNCTION TERMINAL

