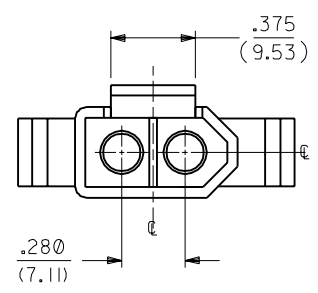
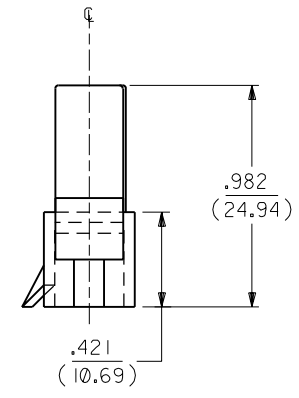
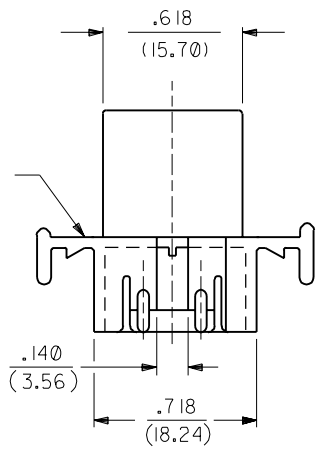


4306-P PLUG HOUSING

MOUNTING EAR (2 PL.)
SEE DETAIL 1 OR 2
(WHEN SPECIFIED)

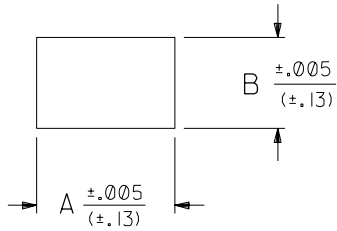
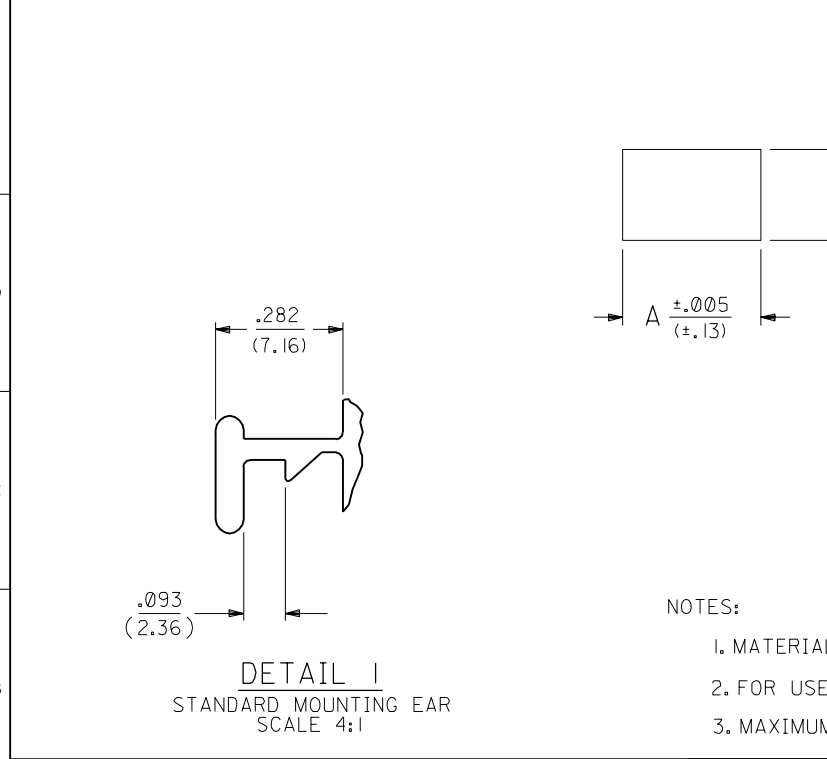


F	3	F	F	ADD CKT. I.D. RIB. PER ECR U3 1770 GC 12/9/93 RW
F	2	F	E	REDRAWN PER ECR 10/65 GEP 6/5/87 RW
F	1	F		
MFG.	SH.	REV.	LTR.	REVISIONS

DIMENSIONS SHOWN (METRIC) INCH		$\nabla = 0$	$\blacktriangledown = 0$	REVISE ONLY ON CAD SYSTEM												
UNLESS OTHERWISE SPECIFIED TOLERANCES: ANGULAR ± 1/2°		TITLE														
<table border="1"> <thead> <tr> <th></th> <th>INCH</th> <th>METRIC</th> </tr> </thead> <tbody> <tr> <td>3 PLACE</td> <td>± .010</td> <td>---</td> </tr> <tr> <td>2 PLACE</td> <td>± .014</td> <td>± 0.25</td> </tr> <tr> <td>1 PLACE</td> <td>---</td> <td>± 0.36</td> </tr> </tbody> </table>			INCH	METRIC	3 PLACE	± .010	---	2 PLACE	± .014	± 0.25	1 PLACE	---	± 0.36	HOUSING, 2 CIRCUIT PLUG AND RECEPTACLE .125/(3.18) DIA.		
	INCH	METRIC														
3 PLACE	± .010	---														
2 PLACE	± .014	± 0.25														
1 PLACE	---	± 0.36														
DRAFT WHERE APPLICABLE MUST REMAIN WITHIN DIMENSIONS		<table border="1"> <tr> <td>MOLEX</td> <td>LISLE, ILL.</td> <td>60532</td> <td>U.S.A.</td> <td>SHEET NO. 1 of 3</td> <td>DATE 6/5/87</td> </tr> </table>			MOLEX	LISLE, ILL.	60532	U.S.A.	SHEET NO. 1 of 3	DATE 6/5/87						
MOLEX	LISLE, ILL.	60532	U.S.A.	SHEET NO. 1 of 3	DATE 6/5/87											
DRWG. BY GEP		CHK'D. BY RW		PART NO. SEE CHART	DRWG. NO. SD-4306-*											
APP'D. BY RAS		SCALE 2 : 1		FILE NAME SD4306X1.DGN	THIS DRAWING CONTAINS INFORMATION THAT IS PROPRIETARY TO MOLEX INC. AND SHOULD NOT BE USED WITHOUT WRITTEN PERMISSION.											
				DIV. CP	SIZE B											

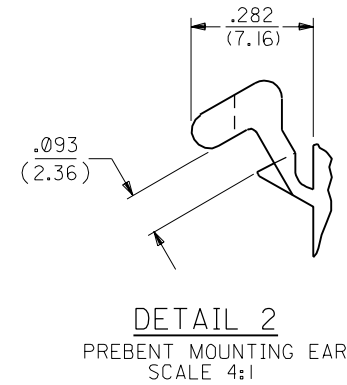
10	9	8	7	6	5	4	3	2	1	4306
PLUG										
PART NO.	ENG. NO.	DESCRIPTION								
03-12-2021	4306-P	PLUG WITH STANDARD EARS (DETAIL 1)								
03-12-2022	4306-P1	PLUG W/O EARS								
03-12-2023	4306-PB	PLUG W/PREBENT EARS (DETAIL 2)								

10	9	8	7	6	5	4	3	2	1	4306
RECEPTACLE										
PART NO.	ENG. NO.	DESCRIPTION								
03-12-1021	4306-R	RECEPTACLE WITH STANDARD EARS (DETAIL 1)								
03-12-1022	4306-R1	RECEPTACLE W/O EARS								
03-12-1023	4306-RB	RECEPTACLE W/PREBENT EARS (DETAIL 2)								



MOUNTING PANEL OPENING		
HOUSING	DIM. "A"	DIM. "B"
PLUG	.878/(22.30)	.432/(10.97)
RECEPTACLE	.778/(19.76)	.375/(9.53)

- NOTES:
1. MATERIAL: NYLON TYPE 6/6, 94V-2, NATURAL.
 2. FOR USE WITH .125/(3.18) DIA. SERIES TERMINALS.
 3. MAXIMUM PANEL THICKNESS .090/(2.29).



				DIMENSIONS SHOWN (METRIC) INCH UNLESS OTHERWISE SPECIFIED TOLERANCES: ANGULAR ± 1/2°				▽ = 0 ▼ = 0 REVISE ONLY ON CAD SYSTEM			
				INCH METRIC				TITLE HOUSING, 2 CIRCUIT PLUG AND RECEPTACLE .125/(3.18) DIA.			
				3 PLACE ± .010 ---				PART NO. SHEET NO. DATE			
				2 PLACE ± .014 ± 0.25				LISLE, ILL. 60532 U.S.A. 3 6/ 5/87			
				1 PLACE --- ± 0.35				MOLEX INCORPORATED			
				DRAFT WHERE APPLICABLE MUST REMAIN WITHIN DIMENSIONS				DRWG. NO. SD-4306-*			
				DRWG. BY GEP CHK'D. BY RW				FILE NAME SD4306X3			
				APP'D. BY RAS SCALE 2 : 1				THIS DRAWING CONTAINS INFORMATION THAT IS PROPRIETARY TO MOLEX INC. AND SHOULD NOT BE USED WITHOUT WRITTEN PERMISSION.			
LTR. REVISIONS				LTR. REVISIONS				DIV. CP SIZE B			