

SAN ACE MC

# CPU Cooler

**For Intel® Pentium® 4 Processor (775-land LGA Package)  
CPU Cooler "SanAce MC"**

PWM Control Function and Thermally Speed Control  
**General specifications**

- Material ..... Fream,impeller:resin mold  
Heatsink:aluminum (core:copper)
- Life Expectancy .....Varies for each model (Survival rate: 90% at 60°C,  
rated voltage,and continuously run in a free air state)
- Motor Protection System .....Current blocking function (with reverse polarity protection)
- Dielectric Strength .....50/60 Hz, 500VAC, 1 minute (between lead conductor and frame)
- Noise Measurement Method .....Measured at 1m a from the air inlet
- Operating Temperature Range .....Varies for each model (Non-condensing)
- Lead Wire .....⊕yellow (connector No.2 side)  
⊖black (connector No.1 side)  
Ⓢensor green (connector No.3)  
Ⓢontrol blue (connector No.4)
- Connector .....Molex P/N 47054-1000 or Wieson 2510C888-001
- Contact .....Molex P/N 5159PBT or Equivalent or Wieson 2511-T1
- Mass .....490g



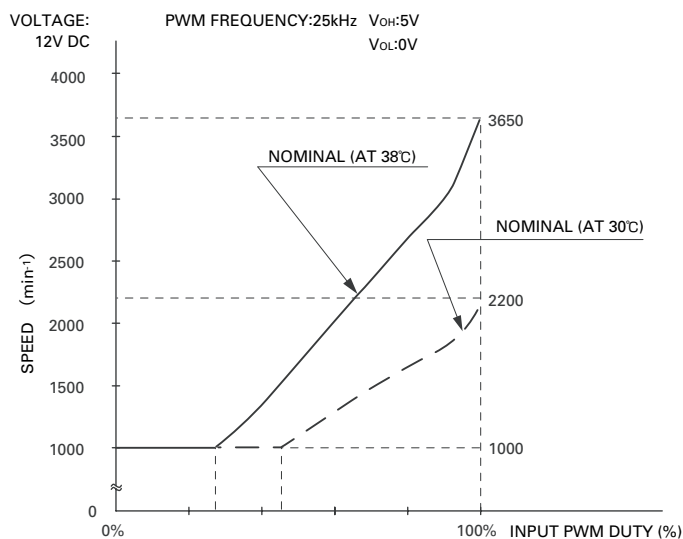
CPU Coolers

## Specifications

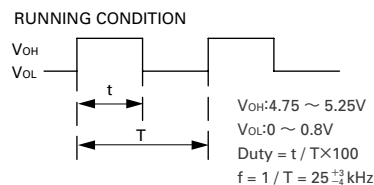
Model No.	Rated Voltage (V)	Operating Voltage Range (V)	Rated Current (A)	Rated Speed (min <sup>-1</sup> )	θc-a Thermal Resistance (K/W)	Noise (dB [A])	Operating Temperature Range (°C)	Life Expectancy (h)
109X9212PT0H016	12	10.8~13.2	0.28	3,650	0.276	42	0 ~ +70	40,000
				2,200	0.340	28		

## Control duty - fan speed characteristics

[EXAMPLE]

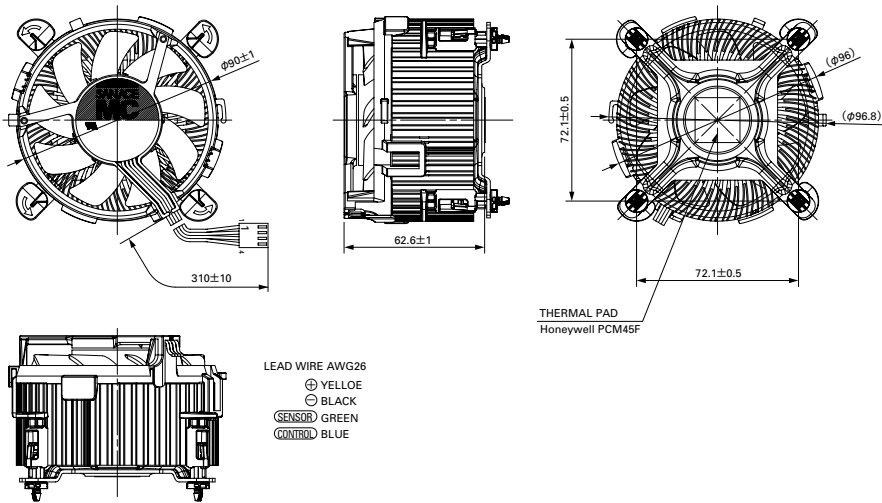


WAVEFORM OF CONTROL INPUT  
PWM SIGNAL INPUT: BETWEEN BLUE LEAD AND BLACK LEAD



CONTROL INPUT CURRENT  
I SOURCE MAX.:5 mA (AT 0V CONTROL VOLTAGE)  
I SINK MAX.:5 mA (AT 5V CONTROL VOLTAGE)

## Dimensions (unit : mm)



## Notice

- The products shown in the catalog are subject to Japanese Export Control Law. Diversion contrary to the law of exporting country is prohibited.
- To protect against electrolytic corrosion that may occur in locations with strong electromagnetic noise, we provide fans that are unaffected by electrolytic corrosion. Alternative measures to protect against electrolytic corrosion may include metallic finger guards or other metallic attachments. Please contact us for details.

# SANYO DENKI