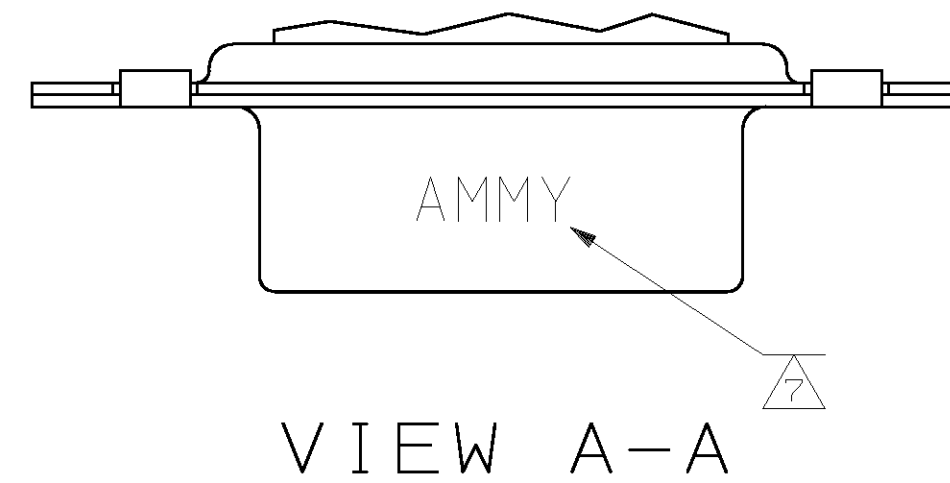
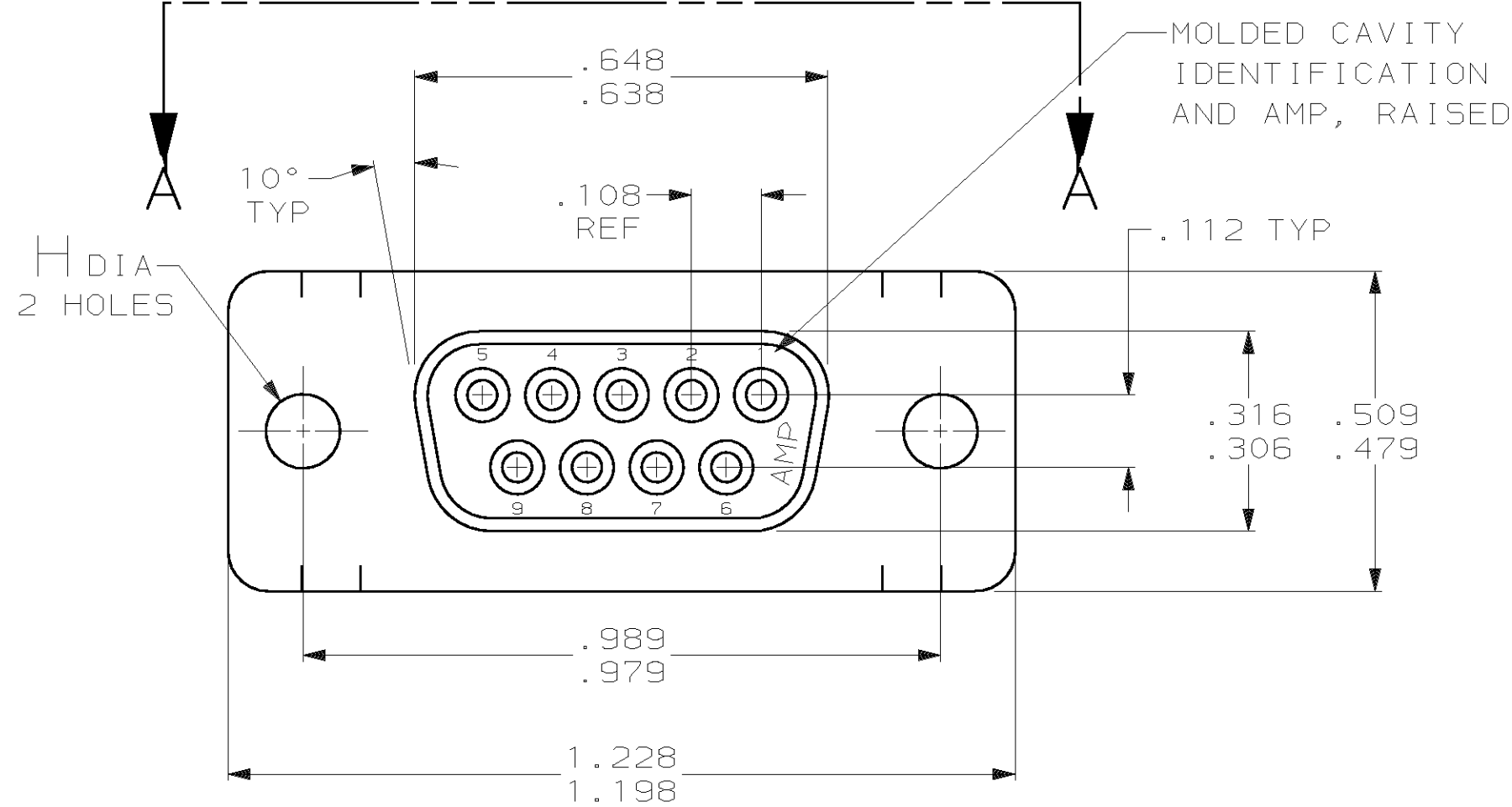
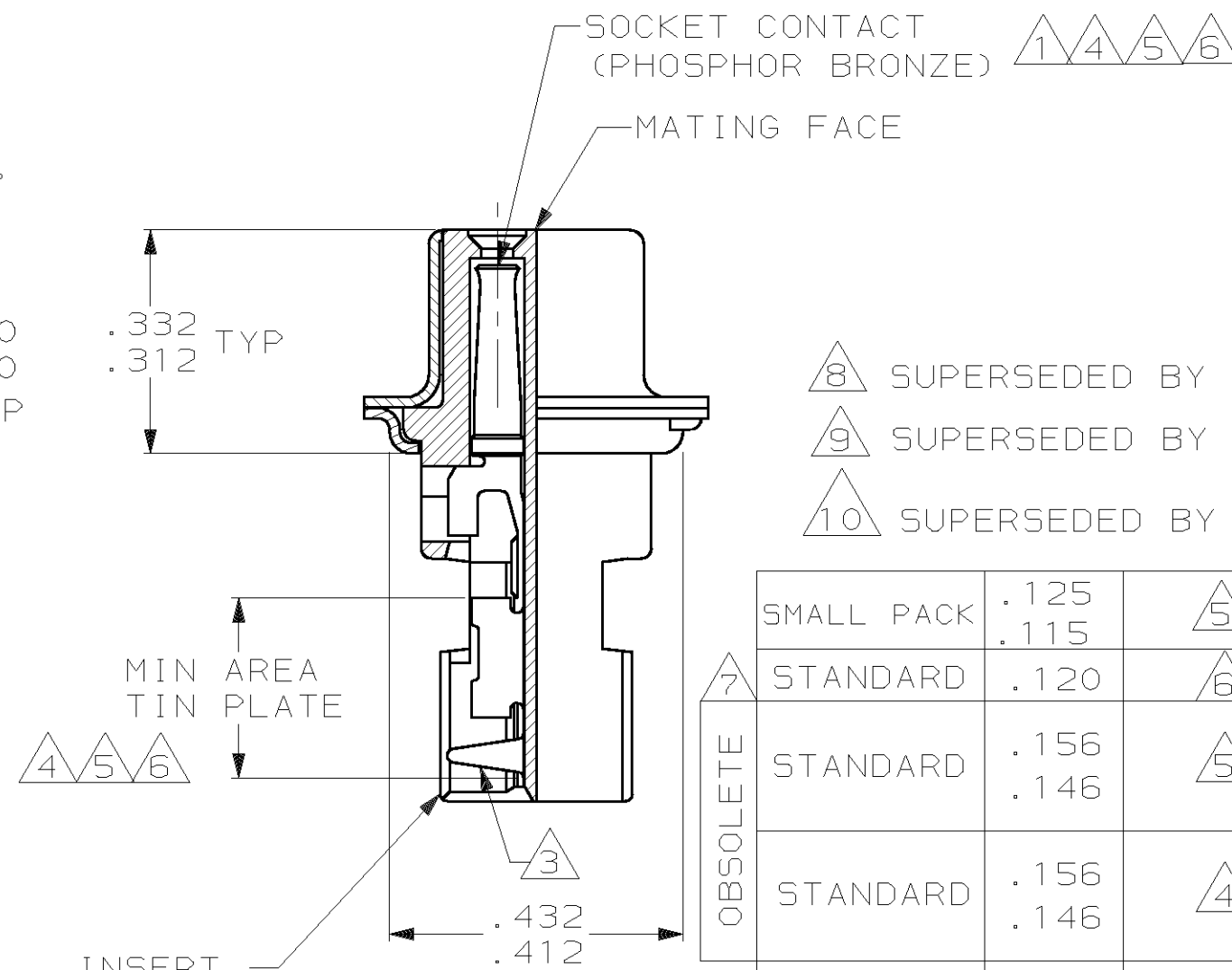
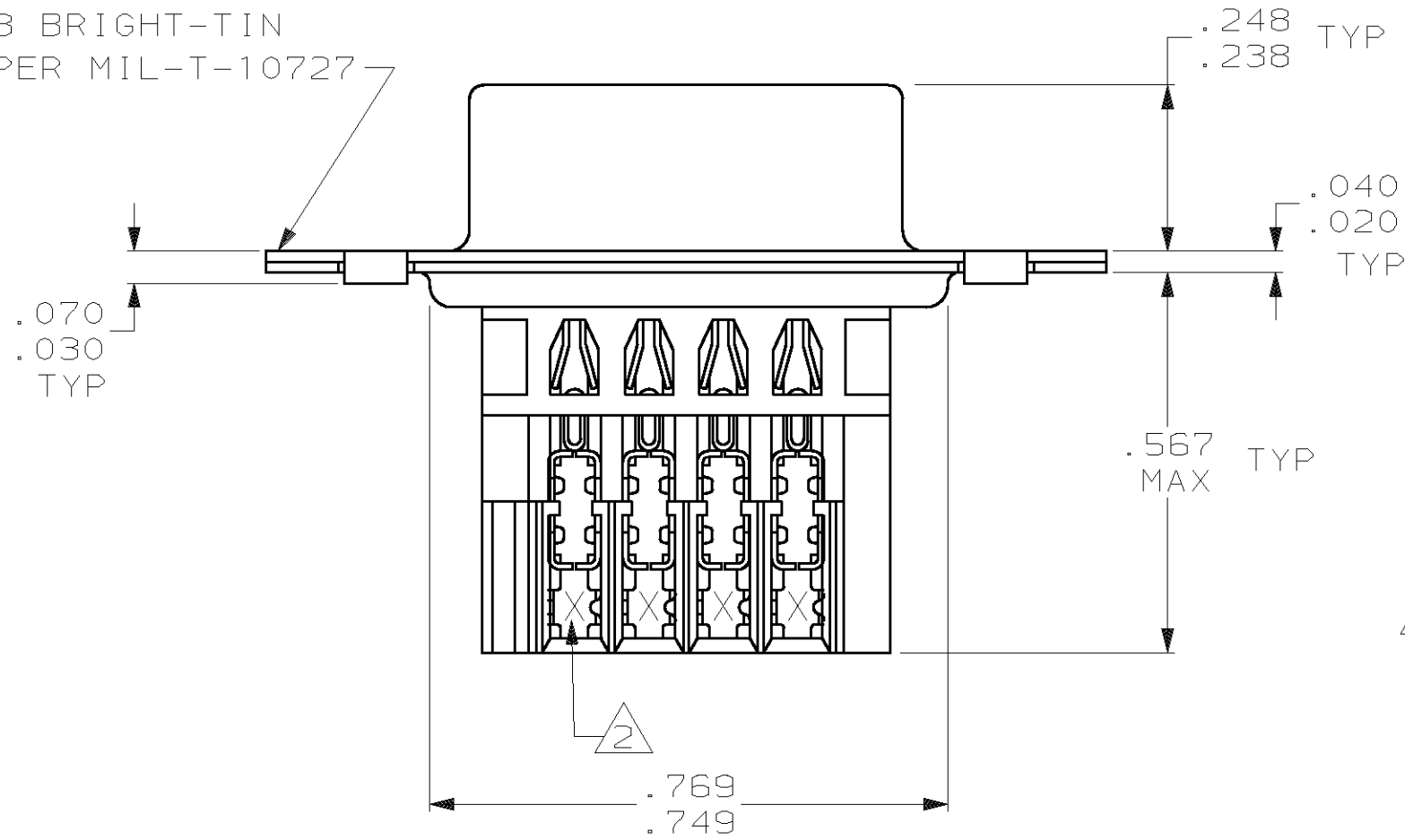


THIS DRAWING IS UNPUBLISHED. RELEASED FOR PUBLICATION, 19 .
 © COPYRIGHT 19 BY AMP INCORPORATED. ALL INTERNATIONAL RIGHTS RESERVED.

LOC	DIST	P	F	ZONE	LTR	DESCRIPTION	DATE	APPD
GP	00				H	REV PER EC 0U1D-0220-00	10/08/01	JR



SHELL, STEEL, PER QQ-S-698 BRIGHT-TIN PLATED PER MIL-T-10727



- △8 SUPERSEDED BY 745491-5
- △9 SUPERSEDED BY 745491-3
- △10 SUPERSEDED BY 745491-1

PACKAGING	SIZE	FSCM NO	DRAWING NO	AWG WIRE RANGE	PART NUMBER
SMALL PACK	.125	△5	2	#22-26	△8 1-745491-5
STANDARD	.115	△6	2	#22-26	1-745491-3
STANDARD	.156	△5	3	#20-22	1-745491-2
			2	#22-26	1-745491-1
STANDARD	.146	△4	1	#26-30	1-745491-0
			3	#20-22	745491-9
			2	#22-26	745491-8
STANDARD	.125	△5	1	#26-30	745491-7
			3	#20-22	△9 745491-6
			2	#22-26	745491-5
STANDARD	.115	△4	1	#26-30	△10 745491-4
			3	#20-22	745491-3
			2	#22-26	745491-2
1	#26-30	745491-1			

- △1 HOUSING FULLY LOADED WITH CONTACTS.
- △2 NUMBER ON CONTACT INDICATES WIRE RANGE.
- △3 CONTACT INSULATION RANGE: .060 MAXIMUM O.D.
- △4 .000030 GOLD ON MATING END FOR .100 MIN LENGTH. .000100-.000200 BRIGHT TIN OR BRIGHT TIN-LEAD IN AREA SHOWN. .000050 NICKEL UNDERPLATE ON ENTIRE CONTACT.
- △5 .000001 MIN GOLD ON MATING END FOR .100 MIN LENGTH. .000100-.000200 BRIGHT TIN OR BRIGHT TIN-LEAD IN AREA SHOWN. .000030 NICKEL UNDERPLATE ON ENTIRE CONTACT.
- △6 .000050 MIN GOLD FOR A LENGTH OF .100 MIN FROM MATING END. .000100 MIN TIN OR TIN-LEAD IN TIN PLATE AREA. BOTH OVER .000050 MIN NICKEL.
- △7 SPECIAL DATE CODE IN THIS APPROXIMATE AREA. A; MM = MONTH; Y = LAST DIGIT OF YEAR.

GLASS FILLED THERMOPLASTIC RATED UL 94V-0; BLACK

DO NOT SCALE PRINT. UNLESS SPECIFIED DIMENSIONS IN INCHES TOLERANCES ON : 2 PLC DEC ± - 3 PLC DEC ± .005 ANGLES ± 2°	DR 3-22-90 J GALLUCCI BG CHK 4-12-90 J WESTMAN APPD 4-17-90 J WESTMAN APPD 4-17-90 J ASSINI	AMP AMP INCORPORATED Harrisburg, Pa. 17105	
MATERIAL SEE CALL OUT	PRODUCT SPEC 108-40011	NAME RECEPTACLE ASSEMBLY, METAL SHELL, SIZE 1, 9 POSITION, SERIES HDE-20 FOR MASS TERMINATION	
FINISH SEE TABLE	APPLICATION SPEC 114-40002	SIZE C	FSCM NO 00779
	WEIGHT -	SCALE 4:1	DRAWING NO 745491
			SHEET 1 OF 1