

M 30
SI = 2...10 mm
0...10V
shielded

Common Data

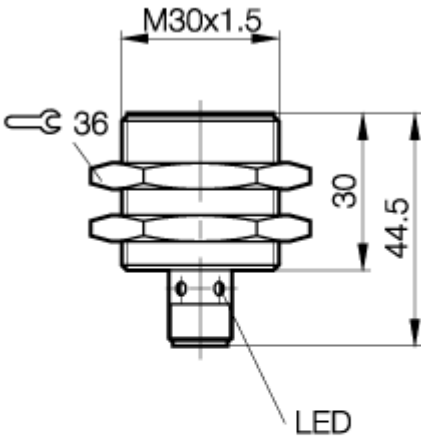
Mounting in steel		shielded
Linearity range SI	mm	2...10
Rated operating distance Se	mm	6
Repeat accuracy		± 10 µm
Linearity		≤ ± 240 µm
Limit frequency (-3dB)		500 Hz
Measuring velocity		≤20 m/s
Response time		1,5 ms
Temperature coefficient TK	typ.	+1,5 µm/K
In optimized range	min.	-1 µm/K
from +10...+50°C	max.	+5 µm/K
Max. non-linearity	%	±3% from Ua max.
Max. working range shift	mm	±0,6
Adjusting indication		ja
Ambient temperature range	°C	-10...+70

Mechanical Data

Housing size	mm	cyl. M 30
Measurements BxHxT or DxT	mm	M30x1.5 x 44,5
Housing material		CuZn nickel plated
Material of sensing face		PBT
Degree of protection	IP	IP67
Connection		Connector S4
Recommended connector		BKS-S19-1/BKS-S20-1

Electrical Data

Current type		DC
Wiring		3-Wire
Output signal		0...10V
Rated operational voltage	V	24 DC
Rated insulation voltage UI	V	250 V AC
Ripple	%	≤ 15% from Ue
Output resistance		>2kOhm
No-load supply current	mA	≤ 10
Short circuit protection		yes
Protected against polarity rev		yes



PX0326a



Approvals



Insulation class II

If not differently indicated,
all values by IEC 947-5-2
(DIN EN60947-5-2)
Specifications subject to change

Balluff GmbH
Postfach 1160
73761 Neuhausen
Telefon (07158) 173-0
Telefax (07158) 5010

24.05.2004 / Online-Information