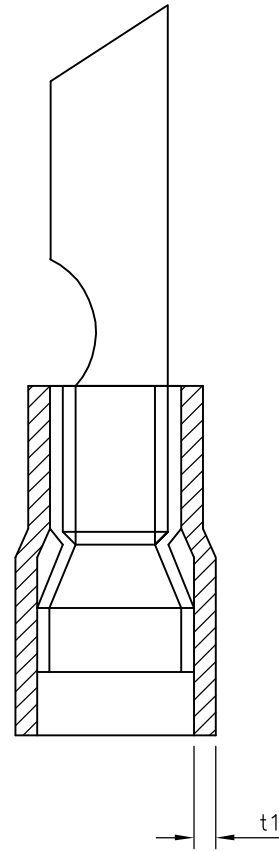
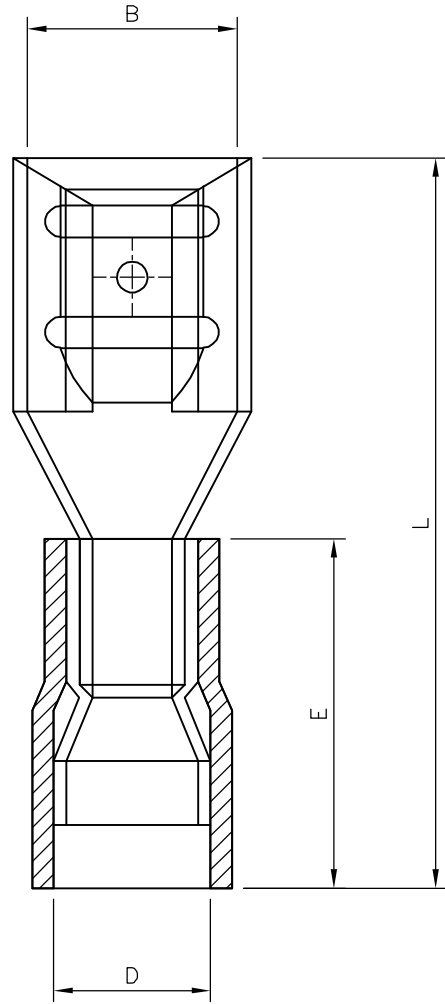
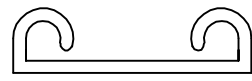


THIS DRAWING IS UNPUBLISHED. RELEASED FOR PUBLICATION 18AUG, 2005.  
 © COPYRIGHT 2005 BY TYCO ELECTRONICS CORPORATION. ALL RIGHTS RESERVED.

LOC	DIST	REVISIONS					
		P	LTR	DESCRIPTION	DATE	DWN	APVD
E	B	A		FIRST ISSUE	18AUG05	KR	FWK



NOTES:

- FOR TECHNICAL DATA REFER TO YOUR LOCAL TYCO ELECTRONICS SALES OFFICE.
- ALL DIMENSIONS ARE NOMINAL FOR REFERENCE ONLY UNLESS OTHERWISE STATED.
- FOR PACKAGING DETAILS SEE SHEET 2.
- MATERIAL: BODY - BRASS  
SLEEVE - PVC (K65), 94V-0
- APPLICATION SPEC 114-13196

2-1838211-0	0.5mmsq - 1.5mmsq	4.8x0.8 mm STANDARD ENTRY	RED FEMALE PUSH-ON TERMINAL (INSULATED)	3000	1000	5.00	19.50	4.10	10.50	0.40	0.80	0.5mmsq - 1.5mmsq	4.80 X 0.8	RED FEMALE PUSH-ON TERMINAL (INSULATED)	2-1838211-0
1-1838211-0	22-16(AWG)			3500	100							22-16(AWG)			1-1838211-0
STOCK NUMBER	PACKING LABEL DESCRIPTION LINE 3	PACKING LABEL DESCRIPTION LINE 2	PACKING LABEL DESCRIPTION LINE 1	INNER CARTON QTY	QTY	B (±0.30)	L (±1.50)	D (±0.50)	E (±0.50)	t (±0.10)	t1 (±0.20)	WIRE SIZE (mmsq) & (AWG)	SIZE (mm)	DESCRIPTION	PART No
DIMENSIONS															

THIS DRAWING IS A CONTROLLED DOCUMENT.

DWN	K.Raghuandan	18AUG05
CHK	S. Parlow	02/04/07
APVD	F. Wheeler-King	02/04/07
PRODUCT SPEC		
APPLICATION SPEC		
WEIGHT		
CUSTOMER DRAWING		

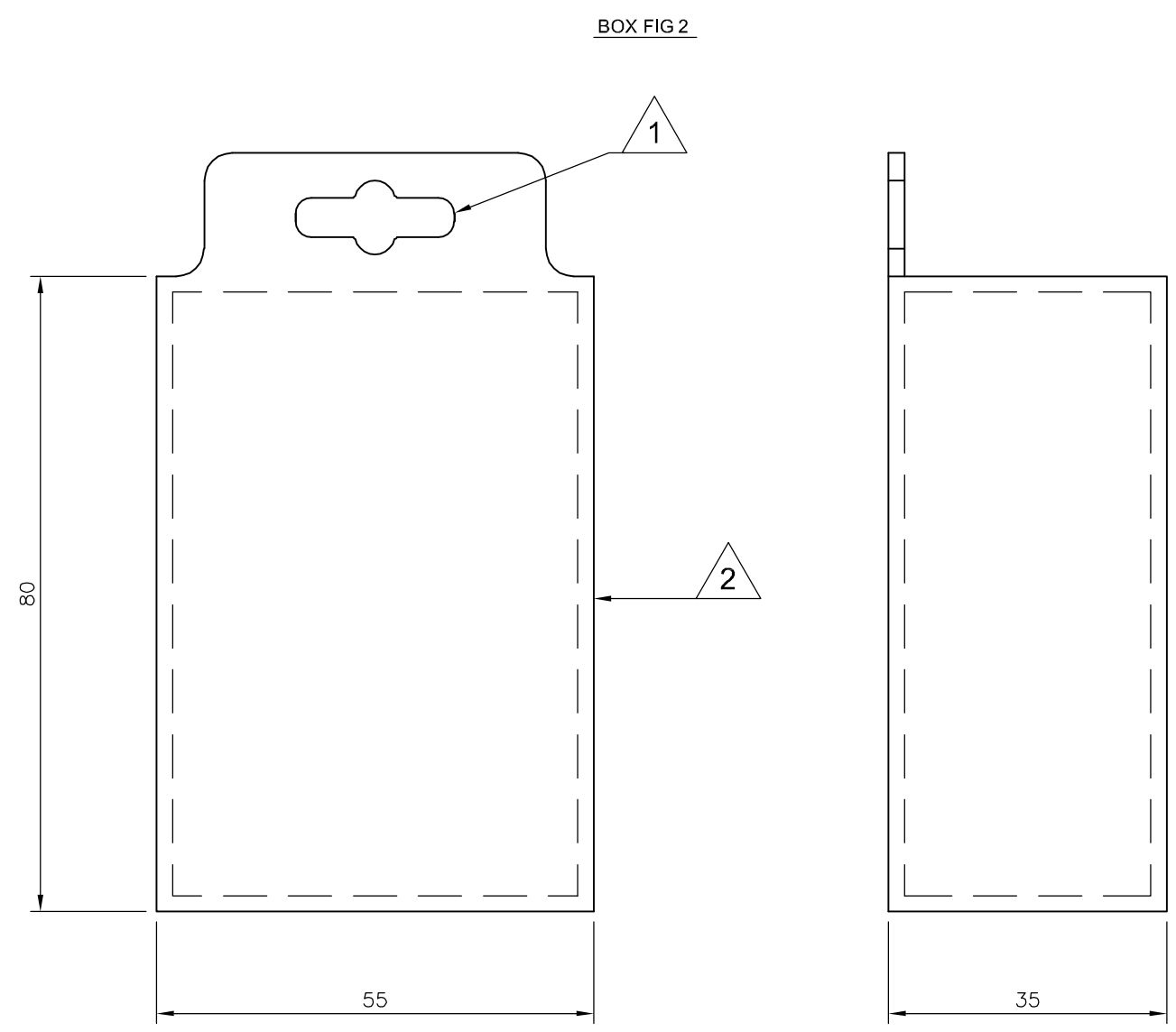
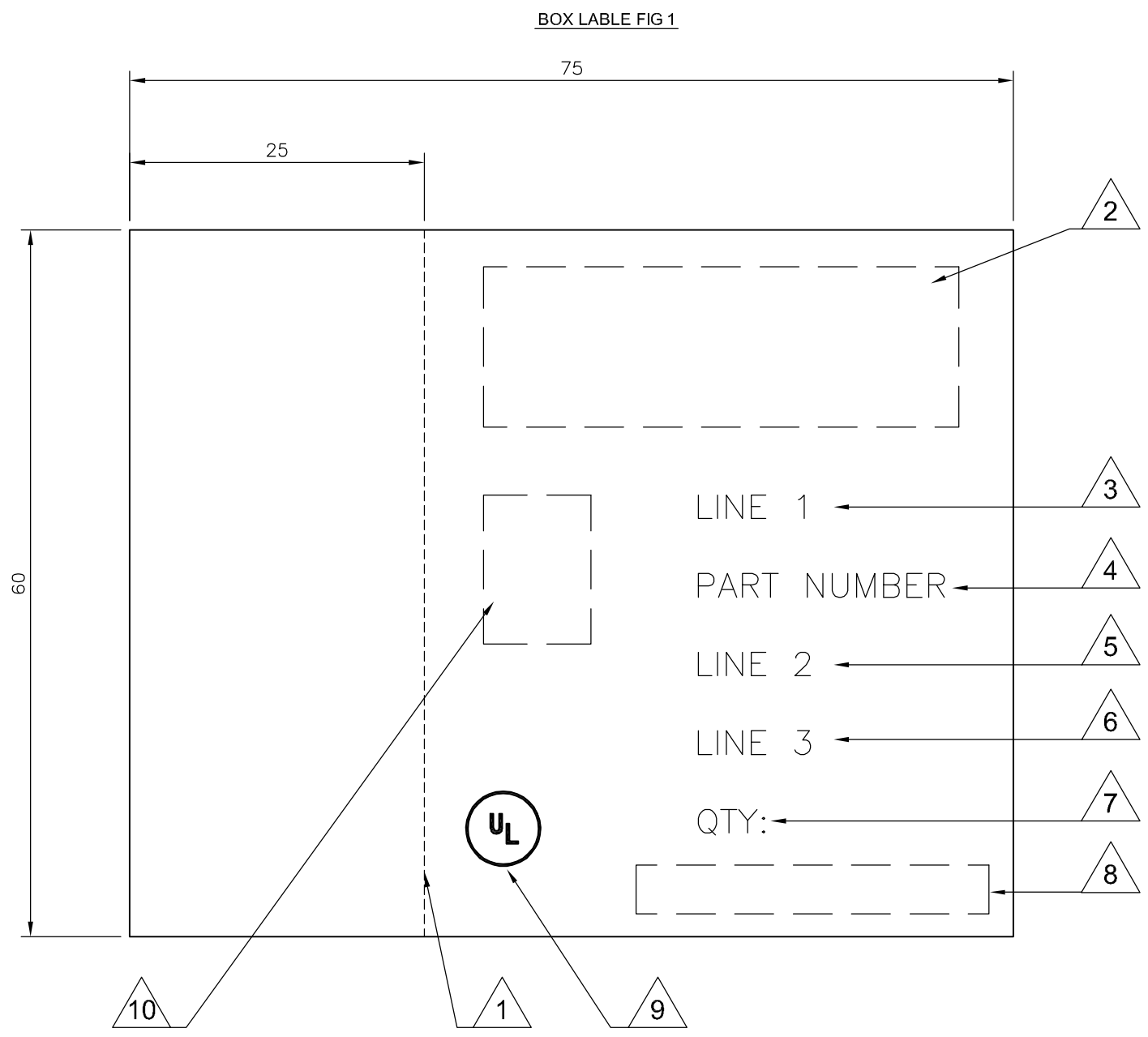
**tyco Electronics** Tyco Electronics Corporation  
Bideford, UK, EX39 4HE

NAME: EURO-CRIMP INSULATED RED FEMALE PUSH-ON TERMINAL  
0.5mmsq - 1.5mmsq / 22-16 AWG RANGE

SIZE	CAGE CODE	DRAWING NO	RESTRICTED TO
A2	00779	C=1838211	
SCALE	NTS	SHEET	1 OF 2
REV	A		

THIS DRAWING IS UNPUBLISHED. RELEASED FOR PUBLICATION 18AUG, 2005.  
 © COPYRIGHT 2005 BY TYCO ELECTRONICS CORPORATION. ALL RIGHTS RESERVED.

LOC		DIST		REVISIONS			
P	LTR	DESCRIPTION	DATE	DWN	APVD		
-	-	SEE SHEET 1	-	-	-		



- LABEL NOTES:**
- 1. PERFORATED LINE: DOTTED LINE TO BE ALIGNED WITH OPENING EDGE & FOLDED TO LEFT SIDE OF BOX.
  - 2. LOGO: USE LATEST REVISION OF TYCO COMPANY LOGO.
  - 3. LINE 1: SEE SHEET 1, USE TEXT FROM COLUMN PACKAGING LABEL DESCRIPTION LINE 1.
  - 4. PART NUMBER: FOR 1--0 & 2--0 USE TYCO PART NUMBER.  
1--0 = 1-1838211-0  
2--0 = 2-1838211-0
  - 5. LINE 2: SEE SHEET 1, USE TEXT FROM COLUMN PACKAGING LABEL DESCRIPTION LINE 2.
  - 6. LINE 3: SEE SHEET 1, USE TEXT FROM COLUMN PACKAGING LABEL DESCRIPTION LINE 3.
  - 7. QTY: SEE SHEET 1, USE NUMBER FROM THE COLUMN QTY.
  - 8. EAN BARCODE: USE LATEST TYCO BARCODE SUPPLIED.  
1--0 = TYCO BARCODE  
2--0 = TYCO BARCODE
  - 9. UL: WHERE APPLICABLE USE UL LOGO, SEE SHEET 1.
  - 10. PRODUCT PICTURE: A PRODUCT PICTURE IS REQUIRED.

- BOX NOTES:**
- 1. EURO SLOT: TO BE POSITIONED TO CENTRE ON FRONT COVER.
  - 2. BOX HINGE: FRONT COVER TO BE HINGED ON RIGHT SIDE.
  - 3. SPECIFICATION: COVER TO BE FREE FROM POSSIBLE WARPING & CAPABLE OF BEING RE-SEALED MIN 100 TIMES.
  - 4. LABEL: CORRECT CUSTOMER BOX LABEL TO BE POSITIONED ON THE FRONT COVER WITH THE PERFORATED EDGE ON THE LEFT HAND SIDE.

- PACK SPECIFICATION:**
- 1. CLEAR PLASTIC BOX: PART NUMBER 1--0 TO BE PACKED 100 PARTS PER CLEAR PLASTIC BOX (FIG2) WITH THE CORRECT CUSTOMER LABEL (FIG1), 35 CLEAR PLASTIC BOXES OF THE SAME PART NUMBER ARE TO BE PACKED INTO A SUITABLE INNER CARTON BOX.
  - 2. CLEAR PLASTIC BAG: PART NUMBER 2--0, USE A SUITABLE CLEAR PLASTIC BAG FOR A 1000 PARTS, POSITION AN APPROPRIATE LABEL AS IN FIG1 BUT WITHOUT THE PERFORATED SIDE, CENTRE OF BAG. 3 BAGS ARE THEN TO BE PACKED INTO A SUITABLE INNER CARTON BOX.
  - 3. INNER CARTON LABEL: LABEL AS PER CLEAR PLASTIC BAG NOTE 2 BUT WITH INNER CARTON QTY 3000 TO BE POSITIONED ON THE SIDE OF THE BOX FOR VIEWING WHEN STORED.

THIS DRAWING IS A CONTROLLED DOCUMENT.		DWN K.Raghuandan 18AUG05	Tyco Electronics Corporation Bideford, UK, EX39 4HE	
DIMENSIONS: mm		CHK S. Parlow 02/04/07		
TOLERANCES UNLESS OTHERWISE SPECIFIED:		APVD F. Wheeler-King 02/04/07	NAME EURO-CRIMP INSULATED RED FEMALE PUSH-ON TERMINAL 0.5mmsq - 1.5mmsq / 22-16 AWG RANGE	
		PRODUCT SPEC -	SIZE A2	
MATERIAL -		FINISH -	CAGE CODE 00779	DRAWING NO C=1838211
		WEIGHT -	RESTRICTED TO -	
		CUSTOMER DRAWING		SCALE NTS
		SHEET 2 OF 2		REV A

1838211