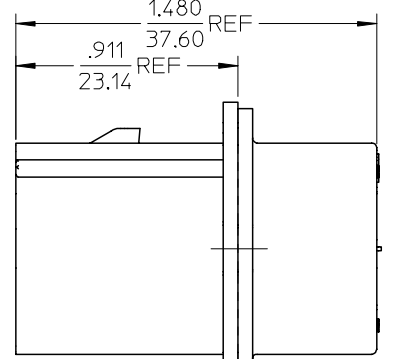
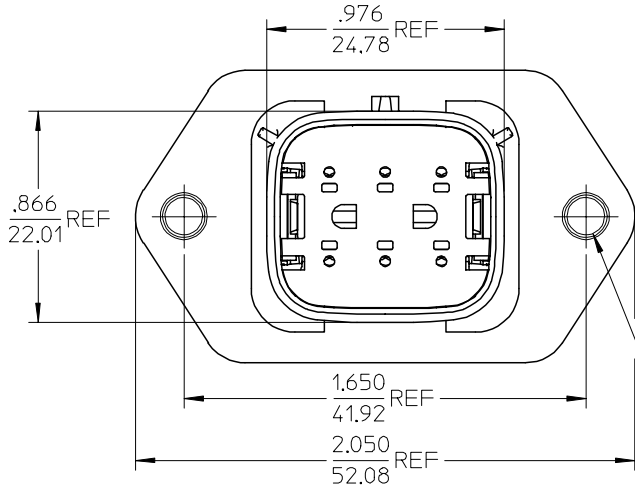
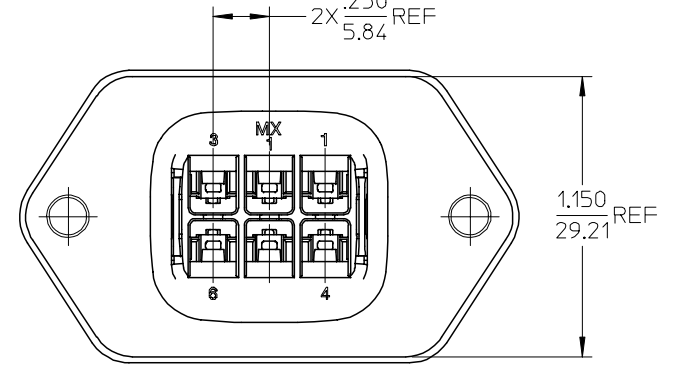


ASSEMBLED VIEW  
SCALE 1:1

RECOMMENDED PANEL MOUNT OPENING  
MAX PANEL THK .080/2.03



GASKET  
194270021



194290044	YES
194290028	NO
MATERIAL NUMBER	GASKET

NOTES:

1. ASSEMBLY BULK PACKAGED PER PK-19429-001.
2. USE CONNECTOR WITH MALE CRIMP TERMINAL: SERIES 19417.
3. PLUG PANEL MOUNT ASSEMBLY DESIGNED TO MATE TO 19418 SERIES RECEPTACLE ASSEMBLIES.

4 HOLE IS DESIGNED TO ACCEPT #6 FASTENER.

EC NO: ETC2005-0118 DRWN:BRUPERT 2005/01/20 CHKD:JPALICK 2005/01/20 APPR:RDEROSS 2005/01/20	QUALITY SYMBOLS ▽ = 0 ▽C = 0	GENERAL TOLERANCES (UNLESS SPECIFIED)		SCALE 2:1	DESIGN UNITS INCH	THIRD ANGLE PROJECTION REVISE ON CAD ONLY	TITLE 6 WAY PLUG PANEL MOUNT ASSEMBLY W/O BOSS 22-14 AWG
		mm	INCH	DIMENSION STYLE IN/MM			
A	DESCRIPTION	4 PLACES	± .005	± .005	DRAWN BY DMYRICK	DATE 04/07/19	MATERIAL NO. SEE CHART
		3 PLACES	± .005	± .015	CHECKED BY JPALICK	DATE 04/07/19	
		2 PLACES	± 0.38	± .005	APPROVED BY RDEROSS	DATE 04/07/19	SHEET NO. 1 OF 1
		1 PLACE	± .005	± .005	THIS DRAWING CONTAINS INFORMATION THAT IS PROPRIETARY TO MOLEX INCORPORATED AND SHOULD NOT BE USED WITHOUT WRITTEN PERMISSION		
		ANGULAR ± 1°		DRAFT WHERE APPLICABLE		MUST REMAIN WITHIN DIMENSIONS	