

## Features

- High resistance to heat and humidity
- Resistance to mechanical shock and pressure
- Accurate dimensions for automatic surface mounting
- Wide inductance range (1.0 nH to 1000 uH)
- Lead free

## Applications

- Mobil phones
- Cellular phones
- CTV, VCR, HIC, FDD

## CM45, CM32, CM25, CM20, CM16, CM10 SMT Chip Inductors

### General Specifications

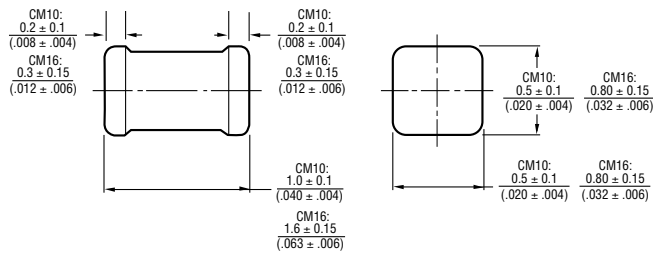
Temperature Rise .....	.....20 °C max.
Ambient Temperature .....	..... 80 °C max.
Operating Temperature .....	.....-20 °C to +100 °C
Storage Temperature .....	.....-40 °C to +100 °C
Resistance to Soldering Heat	
CM10, CM16, CM20, CM25, CM32 .....	.....260 °C, 5 seconds
CM45 .....	.....245 °C, 5 seconds

### Materials

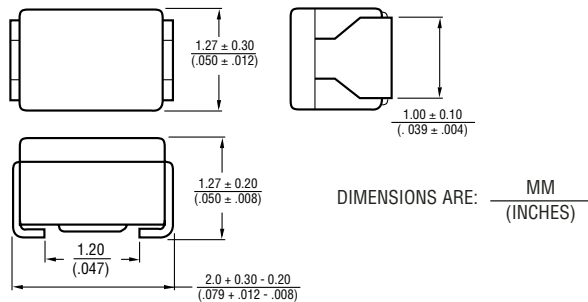
Core Material	
CM10, CM16 .....	.....Alumina Ceramic
CM20 .....	.....Polymer 10 nH to 1000 nH
CM25 .....	.....Polymer 10 nH to 180 nH
CM32 .....	.....Polymer 47 nH to 180 nH
Ferrite Core	
CM25 .....	.....220 nH to 100 uH
CM32 .....	.....220 nH +
CM45 .....	.....All
Coil Type	
CM10, CM16 .....	.....Copper plating
CM20, CM25, CM32, CM45 .....	.....Copper wire
Enclosure	
CM10, CM16 .....	.....Resin
CM20, CM25, CM32, CM45 .....	.....Epoxy resin
Terminal	
CM10, CM16, CM20, CM25, CM32, CM45 .....	.....Sn

### Product Dimensions

CM100505, CM160808

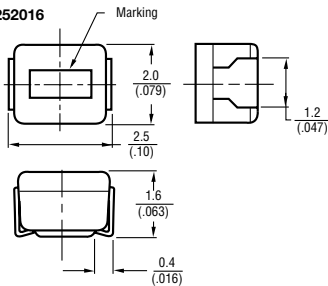


CM201212

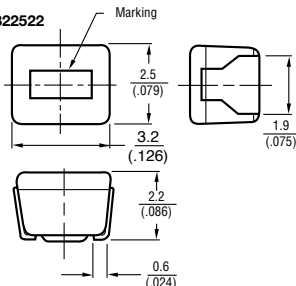


DIMENSIONS ARE:  $\frac{\text{MM}}{\text{(INCHES)}}$

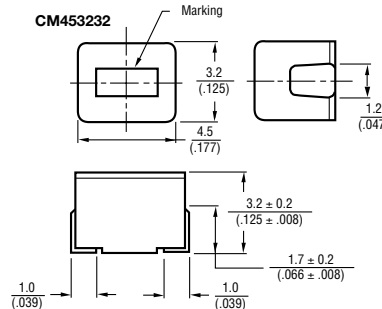
CM252016



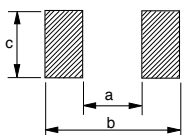
CM322522



CM453232



### Recommended Land Pattern Dimensions



Model	a	b	c
CM10	0.5 to 0.6 (.019 to .023)	1.5 to 1.7 (.059 to .067)	0.5 to 0.6 (.019 to .023)
CM16	0.8 to 1.0 (.032 to .039)	2.0 to 2.6 (.079 to .102)	0.7 to 0.9 (.028 to .035)
CM20	1.0 to 1.2 (.039 to .047)	3.0 to 3.8 (.118 to .150)	0.9 to 1.3 (.028 to .051)
CM25	1.4 to 1.5 (.055 to .059)	3.5 to 4.0 (.138 to .157)	1.2 to 1.6 (.047 to .063)
CM32	1.6 to 2.0 (.063 to .079)	4.0 to 4.6 (.157 to .181)	1.9 to 2.4 (.075 to .094)
CM45	2.4 to 2.6 (.094 to .102)	5.5 to 6.0 (.217 to .236)	2.0 to 3.0 (.079 to .118)

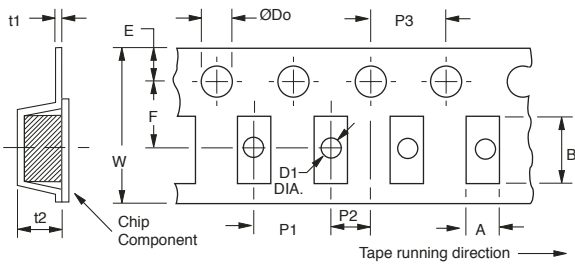
\*RoHS Directive 2002/95/EC Jan 27 2003 including Annex Specifications are subject to change without notice. • Customers should verify actual device performance in their specific applications.

# CM45, CM32, CM25, CM20, CM16, CM10 SMT Chip Inductors

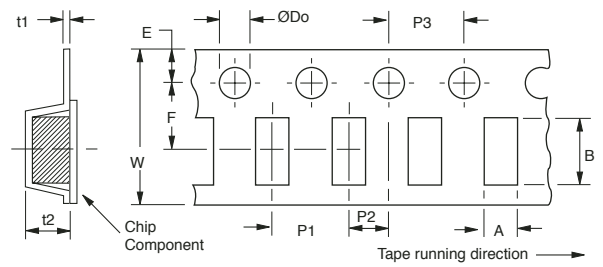


## Packaging Specifications

### CM10, CM16, CM20, CM25, CM32



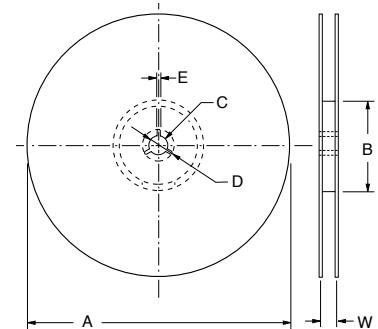
### CM45



Model	A	B	W	F	E	P1	P2	P3	∅D0	∅D1	t1	t2
CM10	0.71 (.027)	1.21 (.047)	8.00 (.315)	3.50 (.138)	1.75 (.069)	4.00 (.157)	2.00 (.079)	4.00 (.157)	1.50 (.059)	0.60 (.024)	0.27 (.011)	1.20 (.047)
CM16	1.00 (.039)	1.80 (.071)	8.00 (.315)	3.50 (.138)	1.75 (.069)	4.00 (.157)	2.00 (.079)	4.00 (.157)	1.50 (.059)	0.60 (.024)	0.27 (.011)	1.20 (.047)
CM20	1.45 (.057)	2.25 (.089)	8.00 (.315)	3.50 (.138)	1.75 (.069)	4.00 (.157)	2.00 (.079)	4.00 (.157)	1.50 (.059)	1.00 (.039)	0.25 (.010)	1.55 (.061)
CM25	2.40 (.094)	2.90 (.114)	8.00 (.315)	3.50 (.138)	1.75 (.069)	4.00 (.157)	2.00 (.079)	4.00 (.157)	1.50 (.059)	1.10 (.043)	0.25 (.010)	1.85 (.073)
CM32	2.80 (.110)	3.60 (.142)	8.00 (.315)	3.50 (.138)	1.75 (.069)	4.00 (.157)	2.00 (.079)	4.00 (.157)	1.50 (.059)	—	0.25 (.010)	2.40 (.094)
CM45	3.60 (.142)	4.90 (.193)	12.00 (.472)	5.50 (.217)	1.75 (.069)	8.00 (.315)	2.00 (.079)	4.00 (.157)	1.50 (.059)	—	0.30 (.012)	3.50 (.138)

## Reel Dimensions

Model	A	B	C	D	E	W
CM10 ~ CM32	178 (7.008)	60 min.	13 (.512)	21 (.827)	2 (.079)	9 (.354)
CM45	178 (7.008)	60 min.	13 (.512)	21 (.827)	2 (.079)	13 (.512)



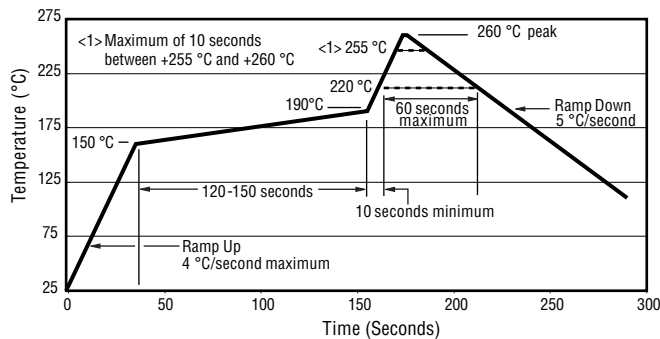
## Packaging

Model	Quantity	Weight
CM10	10000 pcs	150 g
CM16	3000 pcs	90 g
CM20	3000 pcs	90 g

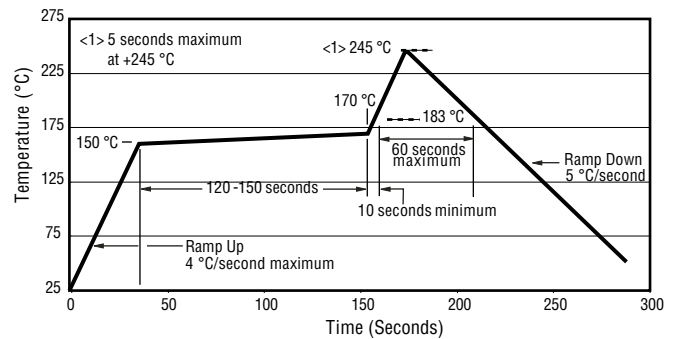
Model	Quantity	Weight
CM25	2000 pcs	100 g
CM32	2000 pcs	190 g
CM45	500 pcs	100 g

## Soldering Profiles

### CM32, CM25, CM20, CM16, CM10



### CM45



Specifications are subject to change without notice. Customers should verify actual device performance in their specific applications.

# Chip Inductors - CM453232 Series Wirewound

**BOURNS®**

Lead Free 1812 Size Part Number	Inductance uH	Tolerance	Q min.	Test Frequency MHz	SRF min. MHz	RDC ohm max	IDC mA max
CM453232-R10ML	0.10	±20 %	35	25.2	300	0.18	800
CM453232-R12ML	0.12	±20 %	35	25.2	280	0.2	770
CM453232-R15ML	0.15	±20 %	35	25.2	250	0.22	730
CM453232-R18ML	0.18	±20 %	35	25.2	220	0.24	700
CM453232-R22ML	0.22	±20 %	40	25.2	200	0.25	665
CM453232-R27ML	0.27	±20 %	40	25.2	180	0.26	635
CM453232-R33ML	0.33	±20 %	40	25.2	165	0.28	605
CM453232-R39ML	0.39	±20 %	40	25.2	150	0.30	575
CM453232-R47ML	0.47	±20 %	40	25.2	145	0.32	545
CM453232-R56ML	0.56	±20 %	40	25.2	140	0.36	520
CM453232-R68ML	0.68	±20 %	40	25.2	135	0.40	500
CM453232-R82ML	0.82	±20 %	40	25.2	130	0.45	475
CM453232-1R0KL	1.0	±10 %	50	7.96	100	0.50	450
CM453232-1R2KL	1.2	±10 %	50	7.96	80	0.55	430
CM453232-1R5KL	1.5	±10 %	50	7.96	70	0.60	410
CM453232-1R8KL	1.8	±10 %	50	7.96	60	0.65	390
CM453232-2R2KL	2.2	±10 %	50	7.96	55	0.70	380
CM453232-2R7KL	2.7	±10 %	50	7.96	50	0.75	370
CM453232-3R3KL	3.3	±10 %	50	7.96	45	0.80	355
CM453232-3R9KL	3.9	±10 %	50	7.96	40	0.90	330
CM453232-4R7KL	4.7	±10 %	50	7.96	35	1.00	315
CM453232-5R6KL	5.6	±10 %	50	7.96	33	1.10	300
CM453232-6R8KL	6.8	±10 %	50	7.96	27	1.2	285
CM453232-8R2KL	8.2	±10 %	50	7.96	25	1.4	270
CM453232-100KL	10	±10 %	50	2.52	20	1.6	250
CM453232-120KL	12	±10 %	50	2.52	18	2	225
CM453232-150KL	15	±10 %	50	2.52	17	2.5	200
CM453232-180KL	18	±10 %	50	2.52	15	2.8	190
CM453232-220KL	22	±10 %	50	2.52	13	3.2	180
CM453232-270KL	27	±10 %	50	2.52	12	3.6	170
CM453232-330KL	33	±10 %	50	2.52	11	4	160
CM453232-390KL	39	±10 %	50	2.52	10	4.5	150
CM453232-470KL	47	±10 %	50	2.52	10	5	140
CM453232-560KL	56	±10 %	50	2.52	9	5.5	135
CM453232-680KL	68	±10 %	50	2.52	9	6	130
CM453232-820KL	82	±10 %	50	2.52	8	7	120
CM453232-101KL	100	±10 %	40	2.52	8	8	110
CM453232-121KL	120	±10 %	40	0.796	6	8	110
CM453232-151KL	150	±10 %	40	0.796	5	9	105
CM453232-181KL	180	±10 %	40	0.796	5	9.5	102
CM453232-221KL	220	±10 %	40	0.796	4	10	100
CM453232-271KL	270	±10 %	40	0.796	4	12	92
CM453232-331KL	330	±10 %	40	0.796	3.5	14	85
CM453232-391KL	390	±10 %	40	0.796	3	18	80
CM453232-471KL	470	±10 %	40	0.796	3	26	62
CM453232-561KL	560	±10 %	30	0.796	3	30	50
CM453232-681KL	680	±10 %	30	0.796	3	30	50
CM453232-821KL	820	±10 %	30	0.796	2.5	35	30
CM453232-102KL	1000	±10 %	30	0.252	2.5	40	30

TIGHTER TOLERANCE AVAILABLE ON REQUEST. CONSULT FACTORY.

Specifications are subject to change without notice.  
Customers should verify actual device performance in their specific applications.

# Chip Inductors - CM322522 Series Wirewound

**BOURNS®**

Lead Free 1210 Size Part Number	Inductance uH	Tolerance	Q min.	Test Frequency MHz	SRF min. MHz	RDC ohm max	IDC mA max
CM322522-47NML	0.047	±20 %	10	100	680	0.20	450
CM322522-56NML	0.056	±20 %	10	100	600	0.22	420
CM322522-68NML	0.068	±20 %	10	100	540	0.25	400
CM322522-82NML	0.082	±20 %	10	100	500	0.27	380
CM322522-R10ML	0.10	±20 %	10	100	450	0.30	360
CM322522-R12ML	0.12	±20 %	10	25.2	400	0.67	240
CM322522-R15ML	0.15	±20 %	10	25.2	350	0.72	230
CM322522-R18ML	0.18	±20 %	10	25.2	320	0.81	220
CM322522-R22ML	0.22	±20 %	25	25.2	230	0.29	360
CM322522-R27ML	0.27	±20 %	25	25.2	210	0.32	345
CM322522-R33ML	0.33	±20 %	25	25.2	190	0.35	330
CM322522-R39ML	0.39	±20 %	25	25.2	175	0.39	305
CM322522-R47ML	0.47	±20 %	25	25.2	160	0.44	290
CM322522-R56ML	0.56	±20 %	25	25.2	150	0.49	275
CM322522-R68ML	0.68	±20 %	25	25.2	135	0.55	260
CM322522-R82ML	0.82	±20 %	25	25.2	125	0.61	245
CM322522-1R0KL	1.0	±10 %	30	7.96	115	0.69	230
CM322522-1R2KL	1.2	±10 %	30	7.96	100	0.75	215
CM322522-1R5KL	1.5	±10 %	30	7.96	90	0.75	210
CM322522-1R8KL	1.8	±10 %	30	7.96	85	0.82	200
CM322522-2R2KL	2.2	±10 %	30	7.96	80	0.95	190
CM322522-2R7KL	2.7	±10 %	30	7.96	75	1.1	180
CM322522-3R3KL	3.3	±10 %	30	7.96	65	1.2	180
CM322522-3R9KL	3.9	±10 %	30	7.96	60	1.3	175
CM322522-4R7KL	4.7	±10 %	30	7.96	55	1.5	165
CM322522-5R6KL	5.6	±10 %	30	7.96	50	1.6	160
CM322522-6R8KL	6.8	±10 %	30	7.96	45	1.8	150
CM322522-8R2KL	8.2	±10 %	30	7.96	40	2.0	140
CM322522-100KL	10	±10 %	30	2.52	36	2.1	140
CM322522-120KL	12	±10 %	30	2.52	33	2.5	125
CM322522-150KL	15	±10 %	30	2.52	30	2.8	120
CM322522-180KL	18	±10 %	30	2.52	27	3.3	110
CM322522-220KL	22	±10 %	30	2.52	25	3.7	105
CM322522-270KL	27	±10 %	30	2.52	22	5.0	90
CM322522-330KL	33	±10 %	30	2.52	20	5.6	85
CM322522-390KL	39	±10 %	30	2.52	20	6.4	80
CM322522-470KL	47	±10 %	30	2.52	15	7.0	75
CM322522-560KL	56	±10 %	30	2.52	15	8.0	70
CM322522-680KL	68	±10 %	30	2.52	15	9.0	65
CM322522-820KL	82	±10 %	30	2.52	11	10	60
CM322522-101KL	100	±10 %	20	0.796	10	10	60
CM322522-121KL	120	±10 %	20	0.796	10	11	55
CM322522-151KL	150	±10 %	20	0.796	8	15	50
CM322522-181KL	180	±10 %	20	0.796	7	17	50
CM322522-221KL	220	±10 %	20	0.796	7	21	45

TIGHTER TOLERANCE AVAILABLE ON REQUEST. CONSULT FACTORY.

NOTE: 47 nH TO 180 nH 'AIR CORE' / 220 nH TO 220 uH 'FERRITE CORE'

Specifications are subject to change without notice.  
Customers should verify actual device performance in their specific applications.

# Chip Inductors - CM252016 Series Wirewound

**BOURNS®**

Lead Free 1008 Size Part Number	Inductance uH	Tolerance	Q min.	Test Frequency MHz	SRF min. MHz	RDC ohm max	IDC mA max
CM252016-10NKL	0.010	±10 %	10	100	2500	0.32	280
CM252016-12NKL	0.012	±10 %	10	100	2200	0.34	270
CM252016-15NKL	0.015	±10 %	10	100	1800	0.38	255
CM252016-18NKL	0.018	±10 %	10	100	1550	0.4	250
CM252016-22NKL	0.022	±10 %	15	100	1350	0.43	240
CM252016-27NKL	0.027	±10 %	15	100	1150	0.47	230
CM252016-33NKL	0.033	±10 %	15	100	1000	0.51	220
CM252016-39NKL	0.039	±10 %	15	100	890	0.55	215
CM252016-47NKL	0.047	±10 %	15	100	770	0.59	205
CM252016-56NKL	0.056	±10 %	15	100	670	0.63	200
CM252016-68NKL	0.068	±10 %	15	100	590	0.68	190
CM252016-82NKL	0.082	±10 %	15	100	520	0.73	185
CM252016-R10KL	0.10	±10 %	10	25.2	460	0.80	175
CM252016-R12KL	0.12	±10 %	10	25.2	400	0.87	170
CM252016-R15KL	0.15	±10 %	10	25.2	340	0.98	160
CM252016-R18KL	0.18	±10 %	10	25.2	300	1.05	155
CM252016-R22M	0.22	±20 %	25	25.2	230	0.70	190
CM252016-R27M	0.27	±20 %	25	25.2	210	0.75	180
CM252016-R33M	0.33	±20 %	25	25.2	190	0.85	170
CM252016-R39M	0.39	±20 %	25	25.2	175	0.95	160
CM252016-R47M	0.47	±20 %	25	25.2	160	1.00	155
CM252016-R56M	0.56	±20 %	25	25.2	150	1.10	150
CM252016-R68M	0.68	±20 %	25	25.2	135	1.25	140
CM252016-R82M	0.82	±20 %	25	25.2	125	1.40	130
CM252016-1R0KL	1.0	±10 %	25	7.96	115	0.65	195
CM252016-1R2KL	1.2	±10 %	25	7.96	100	0.75	180
CM252016-1R5KL	1.5	±10 %	25	7.96	90	0.85	170
CM252016-1R8KL	1.8	±10 %	25	7.96	85	0.95	160
CM252016-2R2KL	2.2	±10 %	25	7.96	80	1.05	155
CM252016-2R7KL	2.7	±10 %	25	7.96	75	1.2	145
CM252016-3R3KL	3.3	±10 %	25	7.96	65	1.3	135
CM252016-3R9KL	3.9	±10 %	25	7.96	60	1.4	130
CM252016-4R7KL	4.7	±10 %	25	7.96	55	1.6	125
CM252016-5R6KL	5.6	±10 %	25	7.96	50	1.8	120
CM252016-6R8KL	6.8	±10 %	25	7.96	45	1.9	115
CM252016-8R2KL	8.2	±10 %	25	7.96	40	2.2	105
CM252016-100KL	10	±10 %	25	2.52	32	3.5	80
CM252016-120KL	12	±10 %	25	2.52	30	3.8	75
CM252016-150KL	15	±10 %	25	2.52	28	4.4	70
CM252016-180KL	18	±10 %	25	2.52	25	5.0	65
CM252016-220KL	22	±10 %	25	2.52	22	5.8	60
CM252016-270KL	27	±10 %	20	2.52	21	6.3	115
CM252016-330KL	33	±10 %	20	2.52	20	7.1	110
CM252016-390KL	39	±10 %	20	2.52	18	9.5	90
CM252016-470KL	47	±10 %	20	2.52	17	11.0	80
CM252016-560KL	56	±10 %	20	2.52	16	12.1	75
CM252016-680KL	68	±10 %	20	2.52	15	16.6	70
CM252016-820KL	82	±10 %	20	2.52	13	19.0	65
CM252016-101KL	100	±10 %	15	0.796	12	21.0	60

TIGHTER TOLERANCE AVAILABLE ON REQUEST. CONSULT FACTORY.

NOTE: 10 nH TO 180 nH 'AIR CORE' / 220 nH TO 220 uH 'FERRITE CORE'

Specifications are subject to change without notice.  
Customers should verify actual device performance in their specific applications.

# Chip Inductors - CM201212 Series Wirewound

**BOURNS®**

Lead Free 0805 Size Part Number	Inductance uH	Tolerance	Q min.	Test Frequency MHz	SRF min. MHz	RDC ohm max	IDC mA max
CM201212-10NKL	0.010	±10 %	10	100	3300	0.20	540
CM201212-12NKL	0.012	±10 %	10	100	3300	0.23	535
CM201212-15NKL	0.015	±10 %	12	100	3000	0.25	520
CM201212-18NKL	0.018	±10 %	12	100	3000	0.27	480
CM201212-22NKL	0.022	±10 %	15	100	2600	0.29	465
CM201212-27NKL	0.027	±10 %	15	100	2500	0.32	455
CM201212-33NKL	0.033	±10 %	15	100	2000	0.37	395
CM201212-39NKL	0.039	±10 %	15	100	2000	0.38	390
CM201212-47NKL	0.047	±10 %	15	100	1600	0.42	385
CM201212-56NKL	0.056	±10 %	15	100	1500	0.45	360
CM201212-68NKL	0.068	±10 %	15	100	1400	0.52	340
CM201212-82NKL	0.082	±10 %	15	100	1100	0.60	330
CM201212-R10KL	0.10	±10 %	8	25.2	800	0.78	285
CM201212-R12KL	0.12	±10 %	8	25.2	600	0.99	275
CM201212-R15KL	0.15	±10 %	10	25.2	600	1.47	230
CM201212-R18KL	0.18	±10 %	10	25.2	600	1.61	195
CM201212-R22KL	0.22	±10 %	10	25.2	500	1.84	170
CM201212-R27KL	0.27	±10 %	10	25.2	300	1.95	165
CM201212-R33KL	0.33	±10 %	10	25.2	200	2.16	160
CM201212-R39KL	0.39	±10 %	10	25.2	150	2.35	150
CM201212-R47KL	0.47	±10 %	10	25.2	150	2.57	145
CM201212-R56KL	0.56	±10 %	10	25.2	100	2.65	140
CM201212-R68KL	0.68	±10 %	10	25.2	100	2.99	130
CM201212-R82KL	0.82	±10 %	10	25.2	80	3.35	125
CM201212-1R0KL	1.0	±10 %	8	7.96	80	3.82	120

TIGHTER TOLERANCE AVAILABLE ON REQUEST. CONSULT FACTORY.

Chip Inductors - CM160808, CM100505 Series Laser-cut Winding **BOURNS®**

Lead Free 0603 Size Part Number	Inductance nH	Tolerance	Q min.	Test Frequency MHz	SRF min. MHz	RDC ohm max	IDC mA max
CM160808-1N5DL	1.5	± 0.3 nH	8	100	6000	0.07	500
CM160808-1N8DL	1.8	± 0.3 nH	8	100	6000	0.08	500
CM160808-2N2DL	2.2	± 0.3 nH	8	100	6000	0.09	500
CM160808-2N7DL	2.7	± 0.3 nH	8	100	6000	0.10	500
CM160808-3N3DL	3.3	± 0.3 nH	9	100	5500	0.12	500
CM160808-3N9JL	3.9	±5 %	9	100	5500	0.15	450
CM160808-4N7JL	4.7	±5 %	9	100	4800	0.17	450
CM160808-5N6JL	5.6	±5 %	9	100	4600	0.18	430
CM160808-6N8JL	6.8	±5 %	9	100	3550	0.20	430
CM160808-8N2JL	8.2	±5 %	9	100	3500	0.28	400
CM160808-10NJL	10	±5 %	10	100	2800	0.32	400
CM160808-12NJL	12	±5 %	10	100	2800	0.35	400
CM160808-15NJL	15	±5 %	10	100	2500	0.41	350
CM160808-18NJL	18	±5 %	10	100	2300	0.45	350
CM160808-22NJL	22	±5 %	10	100	2000	0.50	300
CM160808-27NJL	27	±5 %	10	100	2000	0.55	300
CM160808-33NJL	33	±5 %	10	100	1800	0.60	300
CM160808-39NJL	39	±5 %	11	100	1800	0.80	300
CM160808-47NJL	47	±5 %	11	100	1800	0.95	250
CM160808-56NJL	56	±5 %	12	100	1800	1.2	250
CM160808-68NJL	68	±5 %	12	100	1500	1.3	250
CM160808-82NJL	82	±5 %	12	100	1500	1.5	250
CM160808-R10JL	100	±5 %	12	100	1300	1.8	200

Lead Free 0402 Size Part Number	Inductance nH	Tolerance	Q min.	Test Frequency MHz	SRF min. MHz	RDC ohm max	IDC mA max
CM100505-1N0DL	1.00	±0.3 nH	8	100	6000	0.05	400
CM100505-1N2DL	1.20	±0.3 nH	8	100	6000	0.06	400
CM100505-1N5DL	1.50	±0.3 nH	8	100	6000	0.07	400
CM100505-1N8DL	1.80	±0.3 nH	8	100	6000	0.08	400
CM100505-2N2DL	2.20	±0.3 nH	8	100	6000	0.09	400
CM100505-2N7DL	2.70	±0.3 nH	8	100	5500	0.10	400
CM100505-3N3DL	3.30	±0.3 nH	8	100	5500	0.12	400
CM100505-3N9DL	3.90	±0.3 nH	8	100	5200	0.15	360
CM100505-4N7DL	4.70	±0.3 nH	8	100	4800	0.17	360
CM100505-5N6DL	5.60	±0.3 nH	8	100	4600	0.19	340
CM100505-6N8JL	6.80	± 5 %	8	100	4000	0.30	320
CM100505-8N2JL	8.20	± 5 %	8	100	3500	0.35	320
CM100505-10NJL	10.00	± 5 %	8	100	2800	0.41	320
CM100505-12NJL	12.00	± 5 %	8	100	2800	0.45	320
CM100505-15NJL	15.00	± 5 %	8	100	2500	0.60	240
CM100505-18NJL	18.00	± 5 %	8	100	2200	0.70	240
CM100505-22NJL	22.00	± 5 %	8	100	2000	0.80	200
CM100505-27NJL	27.00	± 5 %	8	100	1800	1.2	200
CM100505-33NJL	33.00	± 5 %	8	100	1800	1.4	170
CM100505-39NJL	39.00	± 5 %	8	100	1800	1.7	150
CM100505-47NJL	47.00	± 5 %	8	100	1800	2.1	140