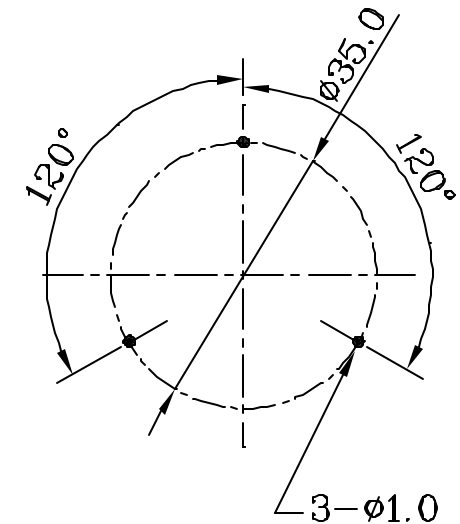
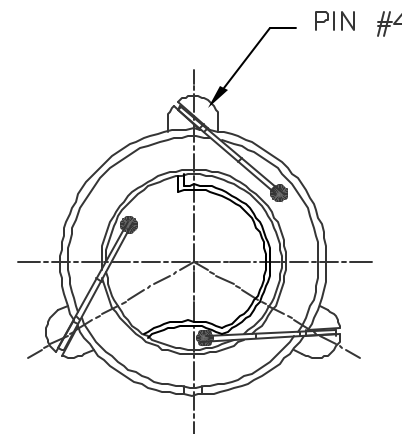
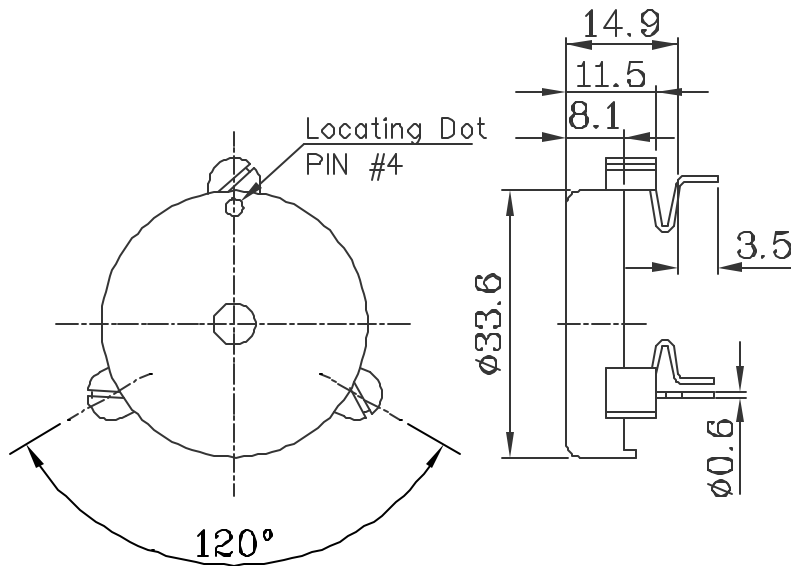
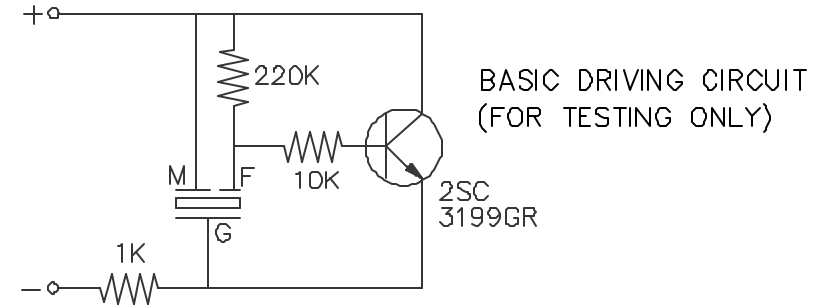


SPECIFICATIONS

PARAMETERS	VALUES	UNITS
Rated Voltage (Sine Wave)	15	Vp-p
Operating Voltage	3 ~ 28	Vp-p
Rated Current (max.)	8	mA
Typical Sound Pressure Level @ 10 cm.	95	dBA
Resonant Frequency	2500±500	Hz
Capacitance @ 1kHz/1V	21,000±30%	pF
Operating Temperature	-20 ~ +60	°C
Storage Temperature	-30 ~ +70	°C
Housing Material	ABS Black	
Terminal	Tin-Plated Copper Pins	
Weight	3.7	g

REVISIONS

LTR	DESCRIPTION	DATE	APPROVED
-	RELEASED FROM ENGINEERING	04/16/02	
A	REVISED PIN LENGTH	10/28/02	S. J.



P.C. PIN HOLE PATTERN

NOTES:

- ALL DIMENSIONS ARE IN MILLIMETERS.
- SPECIFICATION SUBJECT TO CHANGE OR WITHDRAWAL WITHOUT NOTICE.

DRAWING NAME
AT-33.DWG

UNLESS OTHERWISE SPECIFIED
DIMENSIONS ARE IN MILLIMETERS
TOLERANCES ARE:
FRACTIONS DECIMALS ANGLES
± .XX ± 0.5 ±
XXX ±

APPROVALS	DATE
DRAWN <i>RABL</i>	04/02
CHECKED	
APPROVED <i>S. J.</i>	04/16/02
DO NOT SCALE DRAWING	



Dayton, Ohio

PIEZO AUDIO TRANSDUCER
AT-33

SIZE	MATERIAL	DRAWING NO.
A		AT-33
SCALE	N/A	MAX. WT.
		SHEET 1 OF 1