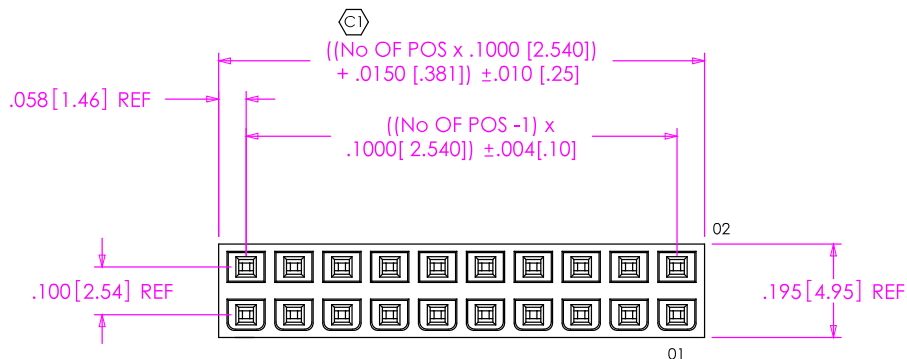


DO NOT SCALE FROM THIS PRINT



IPS1-1XX-XX-XX-D-XXX

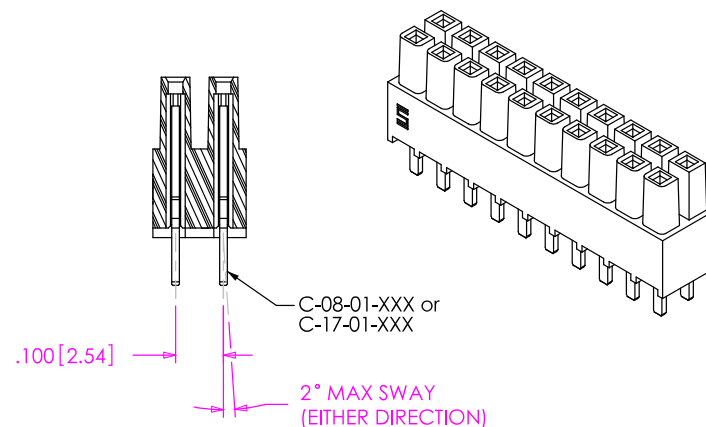
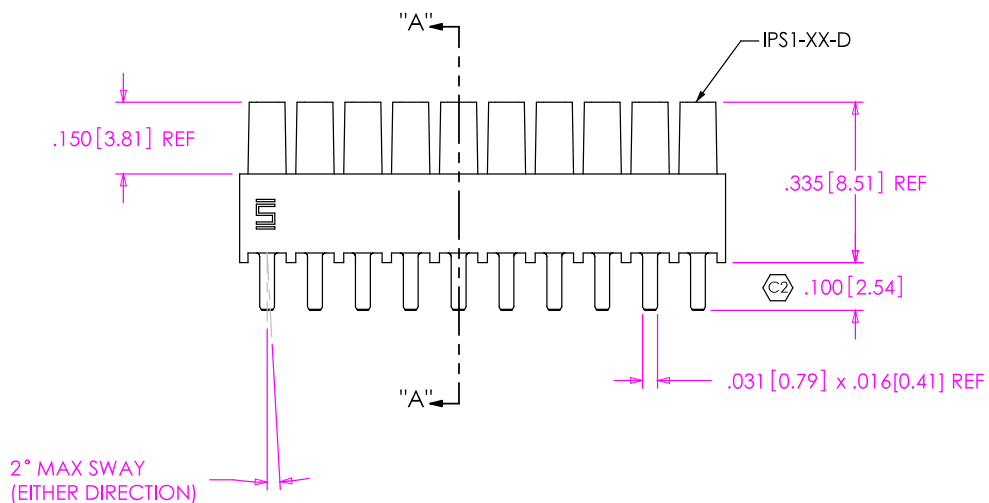
No OF POS PER ROW
-02 THRU -25

OPTION
-POL: POSITION #1 REMOVED (USE IPS1-XX-D-P)
-FL: FRICTION LOCK (USE IPS1-XX-D-FL-X) [POSITIONS -05 THRU -25]

LEAD STYLE
-01: STANDARD INSERTION (USE C-08-01-XXX)
-L1: LOW INSERTION (USE C-17-01-XXX)

PLATING SPECIFICATION
-H: HEAVY GOLD (USE C-XX-01-H)
-S: SELECTIVE GOLD (USE C-XX-01-S)
-T: TIN (AVAILABLE FOR EXSITING CUSTOMERS ONLY.) (USE C-XX-01-T)
M -SM: HEAVY SELECTIVE GOLD, MATTE TIN TAIL (USE C-XX-01-S)

ROW SPECIFICATION
-D: DOUBLE (USE IPS1-XX-D)

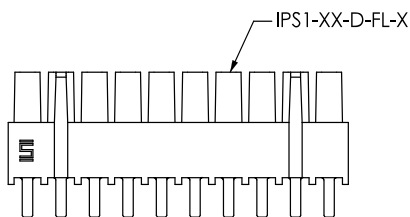


SECTION "A"-"A"

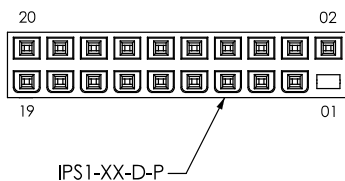
NOTES:

1. $\text{\textcircled{C}}$ REPRESENTS A CRITICAL DIMENSION.
2. MAXIMUM ALLOWABLE CUT FLASH: .010[.25].
3. MINIMUM CONTACT PUSH OUT FORCE: 1.5 lbs.
4. MAXIMUM ALLOWABLE BOW: .003[.08] INCH/INCH AFTER ASSEMBLY.
5. MAXIMUM VARIATION BETWEEN PIN ROWS: .010[.25].
6. "END WALLS" AFTER CUTTING SHOULD BE .015+/-0.003[.38+/-0.08].
7. PARTS TO BE BULK PACKAGED.
8. -T PLATING AVAILABLE FOR EXISTING CUSTOMERS ONLY.

-FL: FRICTION LOCK OPTION
IPS1-110-01-X-D-FL SHOWN



-POL: POLARIZED OPTION
IPS1-110-01-X-D-POL SHOWN



UNLESS OTHERWISE SPECIFIED, DIMENSIONS ARE IN INCHES.
TOLERANCES ARE:
DECIMALS ANGLES
.XX: $\pm .01 [.3]$ $\pm 2^\circ$
.XXX: $\pm .005 [.13]$
.XXXX: $\pm .0020 [.051]$

PROPRIETARY NOTE
THIS DOCUMENT CONTAINS INFORMATION CONFIDENTIAL AND PROPRIETARY TO SAMTEC, INC. AND SHALL NOT BE REPRODUCED OR TRANSFERRED TO OTHER DOCUMENTS OR DISCLOSED TO OTHERS FOR ANY PURPOSE OTHER THAN THAT WHICH IT WAS OBTAINED WITHOUT THE EXPRESSED WRITTEN CONSENT OF SAMTEC, INC.

SAMTEC

520 PARK EAST BLVD, NEW ALBANY, IN 47150
* PHONE: 812.944.6733 FAX: 812.948.5047
e-Mail: INFO@SAMTEC.COM CODE: 55322

MATERIAL: DO NOT SCALE DRAWING SHEET SCALE: 2.5:1
INSULATOR: VECTRA E130i, COLOR: BLACK
CONTACT: PHOS BRONZE, 510 SPRING TEMPER

DESCRIPTION:
.100[2.54] DOUBLE ROW SHROUDED SOCKET ASSEMBLY
DWG. NO.
IPS1-1XX-XX-XX-D-XXX