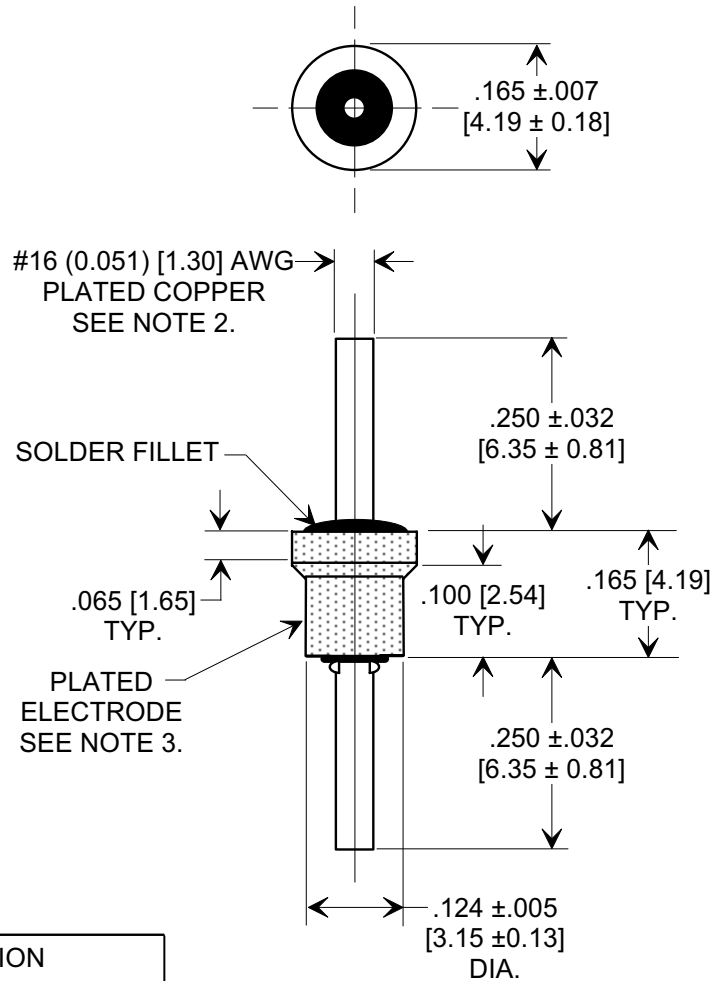
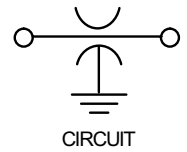
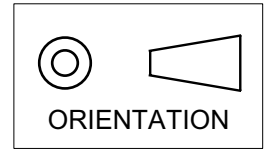


Electrical Testing
per Tusonix standard
test plans and Mil-Std-202
Test Methods.

MARKETING SALES DRAWING
DIMENSIONS IN INCHES - DO NOT SCALE THIS DRAWING
DIMENSIONS IN METRIC - []



OPERATING INFORMATION

STYLE NO.	2461-001
VALUE	1000 pF
VALUE TOL.	GMV
TEMP. COEF.	X7V
RATING	100VDC@+125°C
OPERATING RANGE	-55°C,+125°C
DWV	600
I.R. MIN @ 100VDC	10 GΩ
TO TUSONIX SPEC. UNLESS STATED OTHERWISE.	

NOTES:

- TUSONIX STANDARD PART NUMBER: 2461-001-X7V0-102AA.
TUSONIX RoHS COMPLIANT PART NUMBER:
2461-001-X7V0-102AA LF.
CUSTOMER MUST SPECIFY STANDARD OR RoHS PART NUMBER
WHEN ORDERING.
- LEAD FINISH: STANDARD PART #: 60/40 SOLDER PLATED. RoHS
PART #: SILVER PLATED.
- ELECTRODE FINISH: STANDARD PART #: 60/40 SOLDER PLATED.
RoHS PART #: MATTE TIN PLATED.
- PART MARKING: STANDARD PART: NO MARKING. RoHS PART:
MARKING ON PACKAGING ONLY.

X-2015 Rev-0

REVISION RECORD	Original Release C.O. 20021112-1-03	0	REVISED DRW. TO MATCH CATALOG DWG. S.M. 10-04-04	Original Release C.O. 20040930-2-02	1	SOLDER PLATED WAS TIN. S.M. 06-20-05	Original Release C.O. 20050616-1-04	2	ADDED NOTES. S.M. 09-20-05	Original Release C.O. 20050907-7-02	3	CORRECTED NOTE NUMBER. S.M. 10-24-05	Original Release C.O. 20051024-1-03	4
	--TOLERANCES-- Unless Otherwise Specified			Title SHOULDER FEED-THRU										
	DECIMAL ± .015 [38]			Drawn S.M. 11-18-02			Scale 4 X							
	ANGLES ±			Approved B.Mc. 11-18-02										
TUSONIX TUCSON, ARIZONA										A 2461-001-X7V0-102AA				