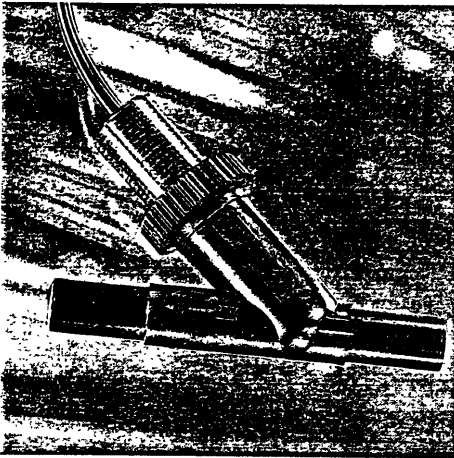


- Maximum Operating Pressure 10 bar.
- Triac protected versions available.
- Up to 1.5A switching (10A Peak in-rush).

Flow Switch Series

Our range of Flow Switches are reed switch based devices which are manufactured in Acetal resin. These switches are designed for use in liquid flow systems up to 10 Bar pressure. Triac buffered versions are available which allow loads to be switched directly by the flow switch, without the use of an intermediate relay. Their advanced design ensures minimal fluid flow restriction and direct 240 Volt handling up to 1.5 Amps (10A peak in rush).



PARAMETER	FS15	FS22	FS15/T	FS22
Electrical Resistive Load				
Max. switching voltage dc or ac (rms)	240V	240V	240V	240V
Repetitive peak off state voltage dc or ac (rms)	240V	240V	240V	240V
Max. full cycle on state surge current	-	-	10A @ 50 Hz	10A @ 50 Hz
Max. full cycle continuous current	1A	1A	1.5A @ 50 Hz	1.5A @ 50 Hz
Max. switching power	15VA	15VA	360VA	360VA
Contact form	A/B	A/B	A	A

PARAMETER	FS15	FS22	FS15/T	FS22
Hydraulic				
Min. Operate flow	1.5 Litre/min. < 0.396 Gal/min.	3.5 Litre/min. < 0.924 Gal/min.	1.5 Litre/min. 0.396 Gal/min.	3.5 Litre/min. 0.924 Gal/min.
Cut off flow	< 0.5 Litre/min. < 0.132 Gal/min.	< 1.0 Litre/min. < 0.264 Gal/min.	0.5 Litre/min. 0.132 Gal/min.	1.0 Litre/min. 0.264 Gal/min.
Max. operate pressure	10 bar 140 psi	10 bar 140 psi	10 bar 140 psi	10 bar 140 psi

GENERAL SPECIFICATION	FS15	FS22	FS15/T	FS22
Max. operating temperature	85 degree C	85 degree C	85 degree C	85 degree C

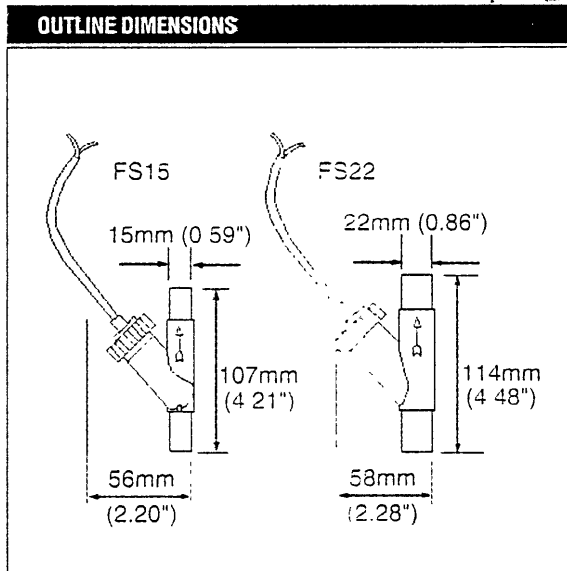
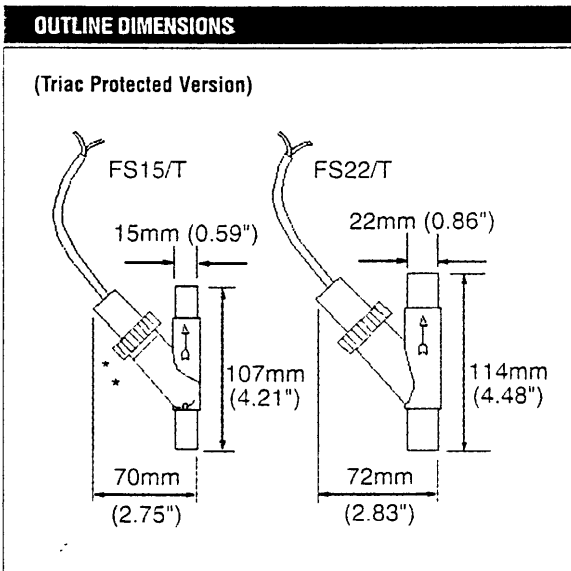
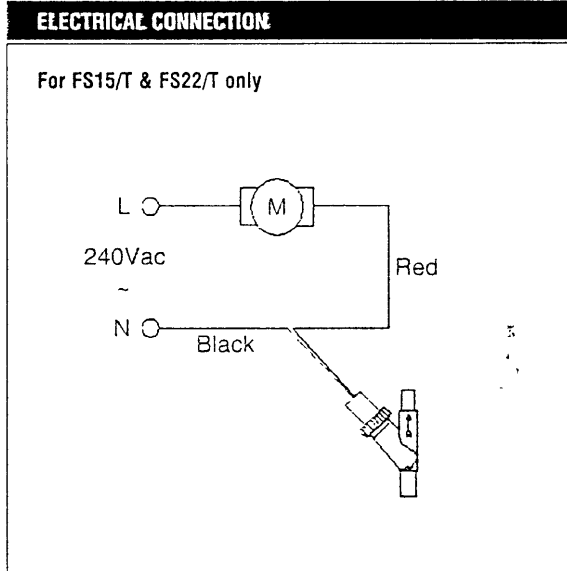
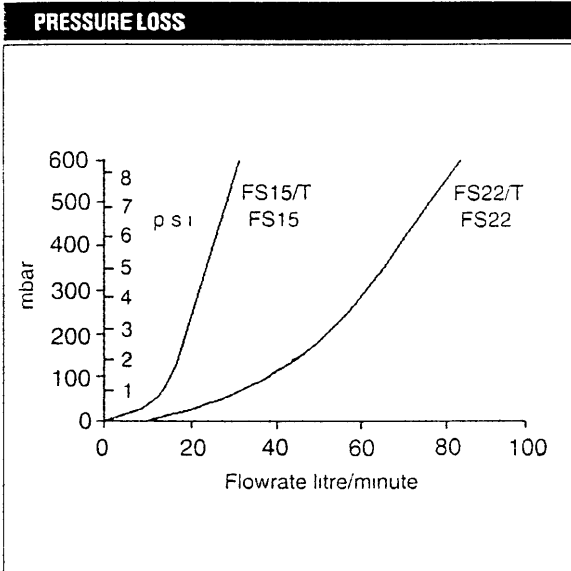
A: NO (NORMALLY OPEN)
B: NC (NORMALLY CLOSED)



Installation

Before installation check the free movement of the switch plunger by gently shaking the switch.

Flow switches can be mounted horizontally or vertically. As the operating piston is returned to its original position by gravity the cap must always be upwards. Greater sensitivity is achieved with vertical installation.



NOTE Custom End pipe connections are available, please contact the Sales Department.

*Warning: only apply force to serrated cap when removing switch housing.

**For
ordering
information**

SEE PAGE 6

CRYDOM