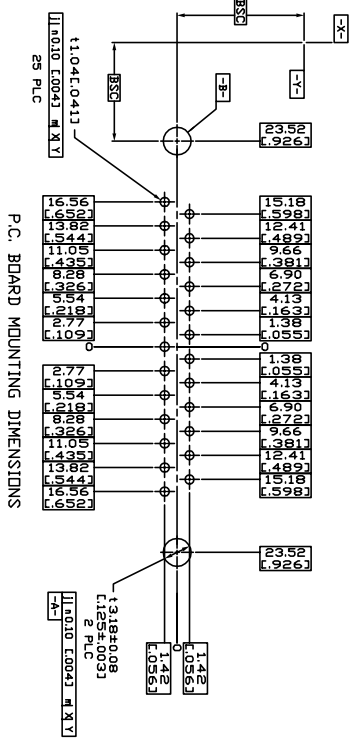


1. MATERIAL: HOUSING: PBT, GLASS FILLED, UL RATED 94V-0, BLACK. FRONT SHELL: CARBON STEEL. CONTACTS, BOARD LOCKS AND INSERTS: BRASS
2. FINISH: FRONT SHELL: TIN PLATED. CONTACTS: GOLD FLASH OVER 25µm (0.001000) MIN NICKEL ON ENTIRE CONTACT AREA. BOARD LOCKS AND INSERTS: NICKEL PLATED
3. ELECTRICAL SPECIFICATIONS: BOARD LOCKS AND INSERTS: 30 OHMS AT 50 MHz, 50 OHMS AT 100 MHz.

4. SCL: 56-422-001 AND DATE CODE MARKED ON THIS SURFACE.



REV	DATE	BY	CHKD	DESCRIPTION
1	4.11	A1		56-422-001

REV	DATE	BY	CHKD	DESCRIPTION
1	4.11	A1		56-422-001