



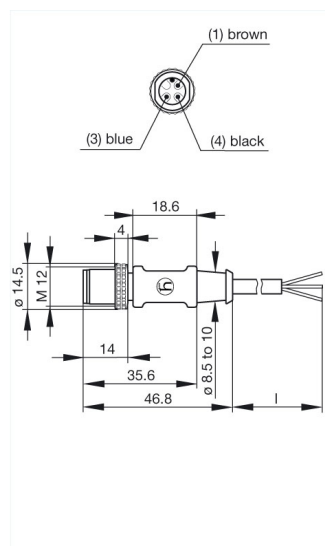
EM123 PUR3x034L0200 50

Industrial Connectors: Circular Connectors E-series M12/FIXCON: with screw locking: Straight cable plug with integrally molded lead

Product description

Description	Straight cable plug, with integrally molded lead, self-securing lock nut
Type	EM123 PUR3x034L0200 50
Order No.	934 403-203
Other standard types	black housing, cable material PUR, cable length 5 m: order no. 934 403-200; black housing, cable material PVC, cable length 2 m: order no. 934 403-102; cable length 5 m: order no. 934 403-103
Type of contact	male
Number of contacts	3
Cable material	PUR
Cable color	black
Cable length	2 m
Conductor size	0.34 mm ²
Cable specification	high flexible lead
Standard	IEC 61076-2-101 (Ed. 1)/ IEC 60947-5-2
Housing Color	black

Drawing



Technical data

Pin dimensions	1 mm
Wire stranding	42 x 0.1
Rated voltage	250 V AC/DC
Rated current	4 A

Material

Contact material	Cu Sn 6
Contact surface material	Au
Contact bearer material	PUR

Housing material	PUR
Coupling nut material	Zn Al/Ni
Environmental conditions	
Protection class (IEC 60529)	IP 68 / IP 69K
Pollution severity	3
Temperature range	-25 °C to +90 °C (UL: +80 °C)
Inflammability class	
Cable	fire resist. IEC 332-2
Contact bearer	94 HB
Approvals	
UL	UL pending
Packaging unit	
Packaging unit	50 pieces