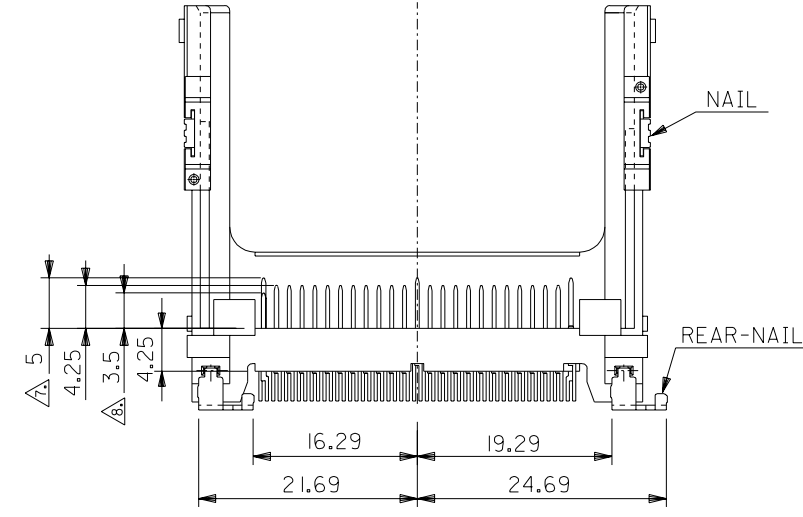
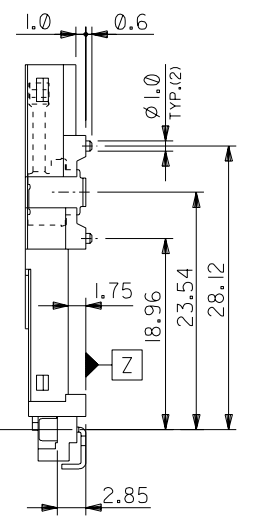
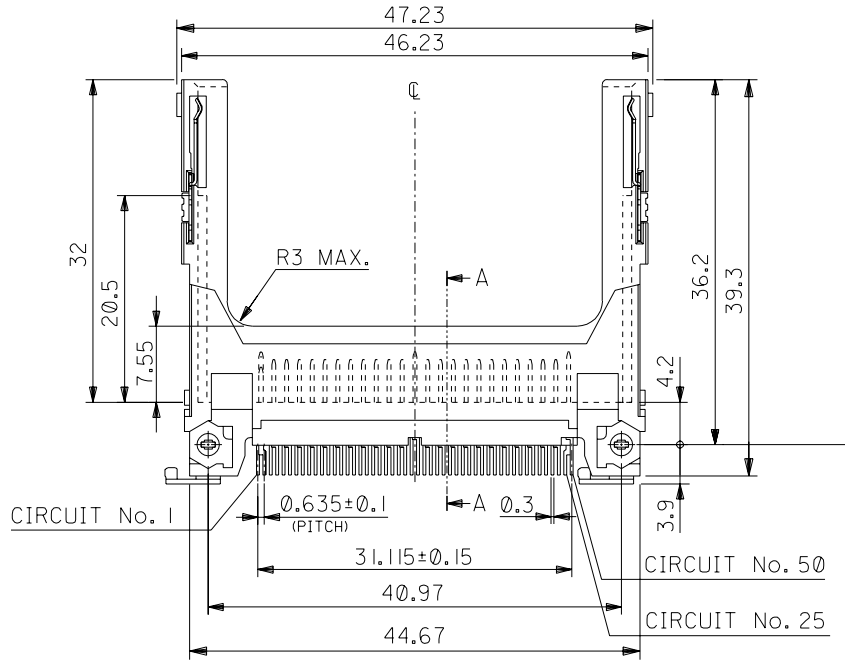
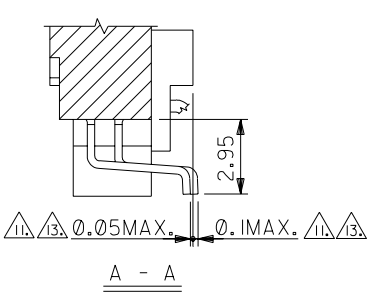
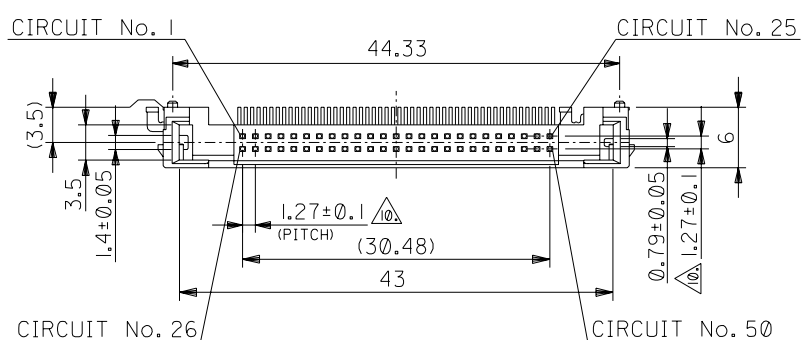


DO NOT SCALE DRAWING

DWG. NO. SD-55359-015



SEMI-HARD TRAY PACKAGE	55359-5027
SOFT TRAY PACKAGE	55359-5029
PACKING TRAY FORM	MATERIAL NO.

EC NO. DRWN: CHK: APPR:	EC NO. DRWN: CHK: APPR:	EC NO. DRWN: CHK: APPR:	EC NO. DRWN: CHK: APPR:
RELEASED '04/03/22	EC NO. J2004-3249	DRWN: Y.SAKIYAMA	CHK: M.SASAO
		APPR: M.SASAO	

MATERIAL 材料	SHEET 2 OF 2 参照 REFER TO SHEET 2 OF 2
FINISH 仕上り	SHEET 2 OF 2 参照 REFER TO SHEET 2 OF 2
WIRE RANGE 適用線被範圍	— / —
INS. RANGE 被覆外径	— / —

GENERAL TOLERANCES: (UNLESS SPECIFIED) 一般公差	SCALE	DESIGN UNITS
10 UNDER 未滿	—	<input checked="" type="checkbox"/> mm <input type="checkbox"/> INCH
10 OVER 30 UNDER 未滿	±0.2	
30 OVER 以上	±0.25	
ANGLE 角度	±3°	

DRAWN BY & DATE <i>Y. Sakiyama</i> '04/03/22	TITLE:
CHECKED BY & DATE <i>H. Sasaki</i> '04/03/22	CF CARD CONN. 50P HEADER ASS'Y (TYPE I/II, REVERSE) -LEAD FREE-
APPROVED BY & DATE <i>M. Sasaki</i> '04/03/22	MOLEX INCORPORATED
CAD FILENAME SD-55359-015.S01	MATERIAL NO. SEE CHART
	DRAWING NO. SD-55359-015
	SHEET NO. 1 OF 2

DIMENSIONS:		SHT	REV
<input type="checkbox"/> mm <input type="checkbox"/> INCH	<input type="checkbox"/> mm <input checked="" type="checkbox"/> ONLY		REVISE ON CAD ONLY
THIS DRAWING CONTAINS INFORMATION THAT IS PROPRIETARY TO MOLEX INCORPORATED AND SHOULD NOT BE USED WITHOUT WRITTEN PERMISSION.			
		SIZE	B

