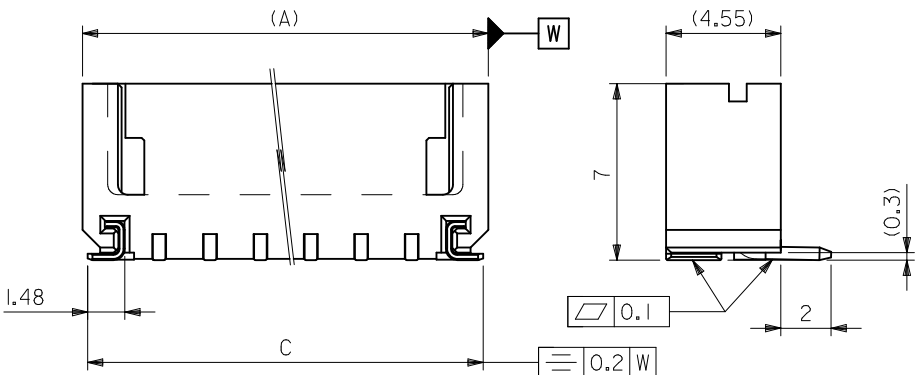


参考基板レイアウト
RECOMMENDED P.C.BOARD PATTERN DIM.(REF.)



32.1	33.7	28	34.1	55460-1572	15
28.1	29.7	24	30.1	-1372	13
26.1	27.7	22	28.1	-1272	12
22.1	23.7	18	24.1	-1072	10
18.1	19.7	14	20.1	-0872	8
16.1	17.7	12	18.1	-0772	7
14.1	15.7	10	16.1	-0672	6
12.1	13.7	8	14.1	-0572	5
10.1	11.7	6	12.1	-0472	4
8.1	9.7	4	10.1	-0372	3
6.1	7.7	2	8.1	55460-0272	2
D	C	B	A	EMBOSSED PACKAGE オーダー番号 ORDER No.	種数 CKTS.

注記
NOTES

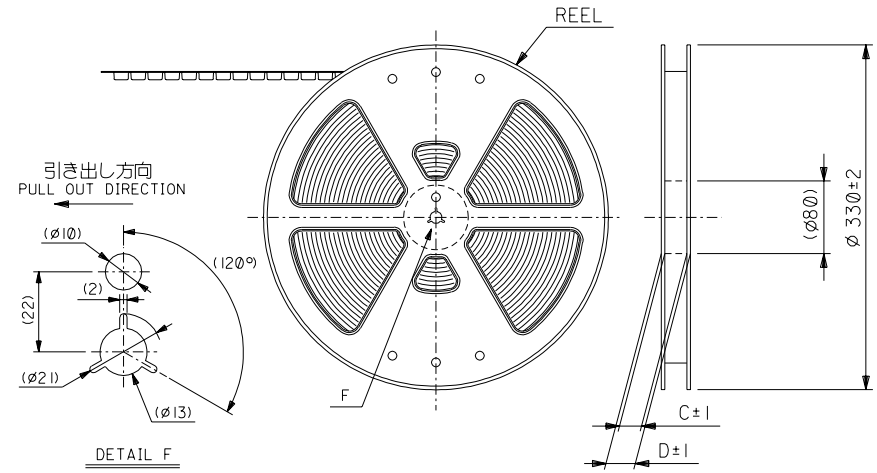
1. 材質
MATERIAL
ウェハー: PA (UL94V-0)
WAFER : PA (UL94V-0)
ピン : 黄銅 (口0.5), 銅下地錫メッキ
PIN : BRASS(0.5), TIN OVER COPPER PLATING
金具 : リン青銅(+0.25), ニッケル下地錫メッキ
NAIL : PHOSPHOR BRONZE(+0.25), TIN OVER NICKEL PLATING
2. 嵌合相手: 51090, 52484 シリーズ
MATE WITH 51090, 52484 SERIES.
3. 本製品は 55460-***10 の鉛フリー品である。
THIS PRODUCT IS LEAD FREE OF 55460-***10.
4. ELV AND RoHS COMPLIANT.

REVISED	EC NO: J2009-1664	2008/07/09	GENERAL TOLERANCES (UNLESS SPECIFIED)
	DRWN: YA0YAGI	2010/03/26	10 UNDER ±0.2
	CHKD: HATSUMOTO	2010/03/26	10 OVER 30 UNDER ±0.25
	APPR: NUKITA	2010/03/26	30 OVER ±0.3
REV	DESCRIPTION	ANGULAR ±3 °	DRAFT WHERE APPLICABLE MUST REMAIN WITHIN DIMENSIONS

DIMENSION STYLE MM ONLY		SCALE ---	DESIGN UNITS METRIC	THIRD ANGLE PROJECTION
DRAWN BY T. UENO	DATE 2004/03/29	TITLE 2.0 W/B CONN WAFER ASSY FOR SMT ST		
CHECKED BY M. SASAO	DATE 2004/03/29	MOLEX INCORPORATED		
APPROVED BY M. SASAO	DATE 2004/03/29	MATERIAL NO. SEE TABLE	DOCUMENT NO. SD-55460-010	SHEET NO. 1 OF 1
THIS DRAWING CONTAINS INFORMATION THAT IS PROPRIETARY TO MOLEX INCORPORATED AND SHOULD NOT BE USED WITHOUT WRITTEN PERMISSION				

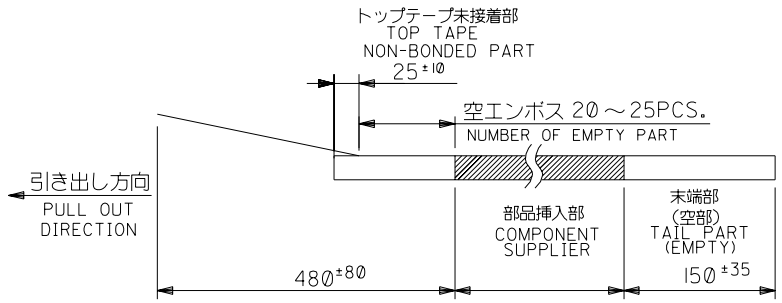
DWG. NO.
SD-55460-011

8 7 6 5 4 3 2 1

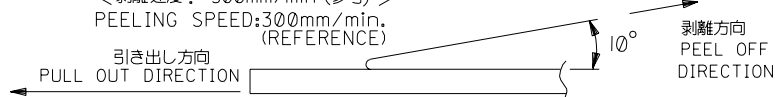


NOTES

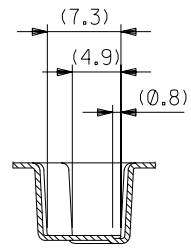
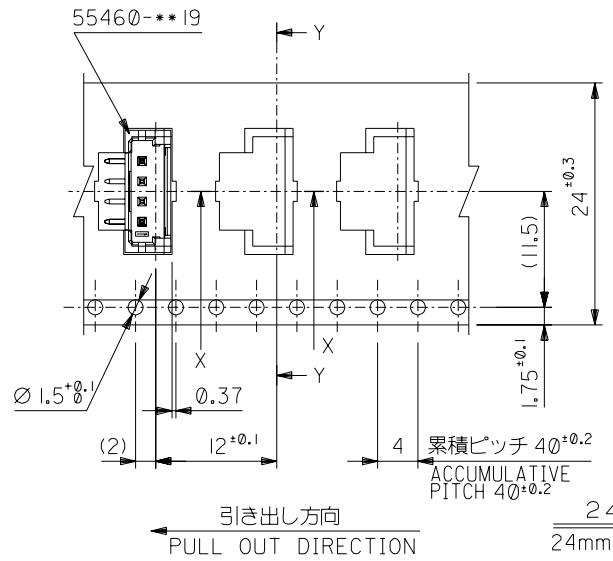
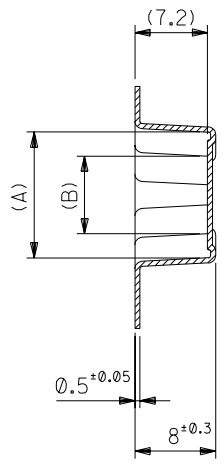
- 梱包数量：900個/リール
NUMBER OF CONNECTOR:900PCS/REEL
- リードテープ長さ
LEAD TAPE LENGTH



- トップテープの剥離強度：0.1N～1.3N(10gf～130gf) (剥離方向は下図参照)
PEELING OFF FORCE OF TOP TAPE: 0.1N～1.3N(10gf～130gf) (PEELING DIRECTION IS SHOWN IN FOLLOWING FIG.)
<剥離速度：300mm/min (参考)>
PEELING SPEED:300mm/min. (REFERENCE)



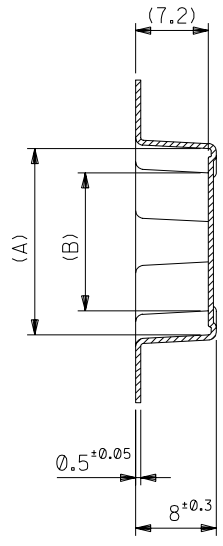
- 55460-**19 の詳細寸法については図面 SD-55460-010 を参照下さい。
RE DETAILED DIMENSIONS,SEE SD-55460-010
- 材料 (MATERIAL)
キャリアテープ(CARRIER TAPE):ポリプロピレン(POLYPROPYLENE)
トップテープ (TOP TAPE): PET ,PE ,PEF
リール (REEL) : ポリスチレン (PS) <リサイクル材を含む>
POLYSTYRENE(PS)<RECYCLE MATERIAL CONTAINED>
- 本製品は 55460-**90 の鉛フリー品である。
THIS PRODUCT IS LEAD FREE OF 55460-**90.



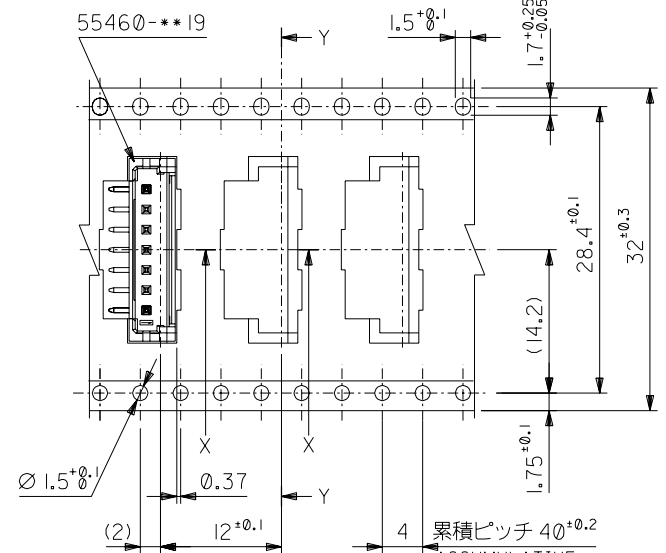
24	29.4	25.4	11.7	16.45	55460-0672	6
			9.7	14.45	55460-0572	5
			7.7	12.45	55460-0472	4
			5.7	10.45	55460-0372	3
			3.7	8.45	55460-0272	2
キャリアテープ幅	D	C	B	A	MATERIAL NO.	種数 CKTS.

DO NOT SCALE DRAWING

EC NO. DRWN: CH'K: APPR:		EC NO. DRWN: CH'K: APPR:		EC NO. DRWN: CH'K: APPR:		EC NO. DRWN: CH'K: APPR:		EC NO. DRWN: CH'K: APPR:		新規格作成 RELEASED EC NO. J2004-3410 DRWN: T.UENO '04/03/29 CH'K: M.SASAO '04/03/29 APPR: M.SASAO '04/03/29		MATERIAL 材料 // FINISH 仕上げ // WIRE RANGE 適用電線範囲 // INS. RANGE 被覆外径 //		GENERAL TOLERANCES: (UNLESS SPECIFIED) 一般公差 10 UNDER 未満 ±0.2 10 OVER 30 UNDER 未満 ±0.25 30 OVER 以上 ±0.3 ANGLE 角度 ±3°		SCALE // DESIGN UNITS <input checked="" type="checkbox"/> mm <input type="checkbox"/> INCH THIRD ANGLE PROJECTION DRAWN BY & DATE T.UENO '04/03/29 CHECKED BY & DATE M.SASAO '04/03/29 APPROVED BY & DATE M.SASAO '04/03/29 CAD FILENAME SD-55460-011.S01		MODEL NO. 55460-**72 DIMENSIONS: <input type="checkbox"/> mm <input type="checkbox"/> INCH <input checked="" type="checkbox"/> mm ONLY SHT REV		TITLE: 2.0 W+B Conn WAFER Assy Embstp pkg -LEAD FREE-		MATERIAL NO. DRAWING NO. SD-55460-011		SHEET NO. 1 OF 3	
注記参照 SEE NOTES										55460-**72		REVISE ON CAD ONLY		MOLEX INCORPORATED		SD-55460-011		SIZE B							

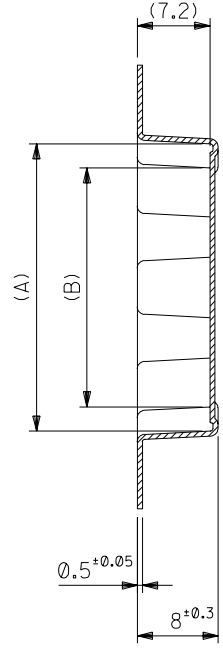


SECT. Y-Y

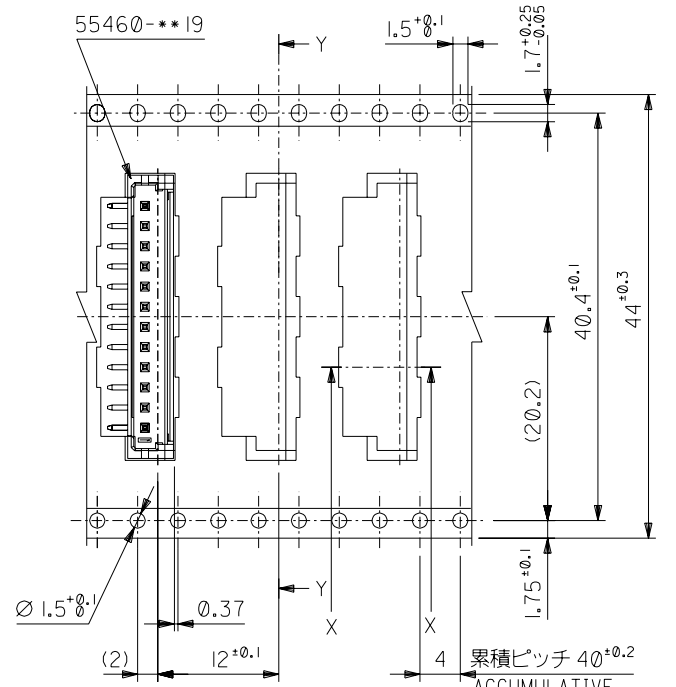


引き出し方向
PULL OUT DIRECTION

32mm幅キャリアテープ
32mm WIDTH CARRIER TAPE

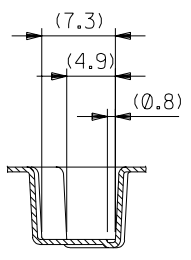


SECT. Y-Y



引き出し方向
PULL OUT DIRECTION

44mm幅キャリアテープ
44mm WIDTH CARRIER TAPE



SECT. X-X

44	49.4	45.4	25.7	30.45	55460-1372	13
			23.7	28.45	55460-1272	12
32	37.4	33.4	19.7	24.45	55460-1072	10
			15.7	20.45	55460-0872	8
			13.7	18.45	55460-0772	7
キャリアテープ幅	D	C	B	A	MATERIAL NO.	種数 CKTS.

DO NOT SCALE DRAWING

EC NO. DRWN: CHK: APPR:	EC NO. DRWN: CHK: APPR:	EC NO. DRWN: CHK: APPR:	EC NO. DRWN: CHK: APPR:	EC NO. DRWN: CHK: APPR:	EC NO. DRWN: CHK: APPR:
					SEE SHEET 1 OF 3

MATERIAL 材料	SHEET 1 OF 3参照 SEE SHEET 1 OF 3
FINISH 仕上げ	//
WIRE RANGE 適用電線範囲	//
INS. RANGE 被覆外径	//

GENERAL TOLERANCES: (UNLESS SPECIFIED) 一般公差	10 UNDER 未満	±0.2
	10 OVER 30 UNDER 以上 未満	±0.25
	30 OVER 以上	±0.3
ANGLE 角度		±3°

SCALE	DESIGN UNITS <input checked="" type="checkbox"/> mm <input type="checkbox"/> INCH	THIRD ANGLE PROJECTION	DIMENSIONS: <input type="checkbox"/> mm <input type="checkbox"/> INCH <input checked="" type="checkbox"/> mm ONLY	SHT	REV
DRAWN BY & DATE T.UENO '04/03/29	TITLE: 2.0 WtB Conn WAFER Assy Embstp pkg -LEAD FREE-				
CHECKED BY & DATE M.SASAO '04/03/29	MOLEX INCORPORATED				
APPROVED BY & DATE M.SASAO '04/03/29	MATERIAL NO. SD-55460-011.S02	DRAWING NO. SEE CHART	SHEET NO. SD-55460-011	2 OF 3	
THIS DRAWING CONTAINS INFORMATION THAT IS PROPRIETARY TO MOLEX INCORPORATED AND SHOULD NOT BE USED WITHOUT WRITTEN PERMISSION.					SIZE B

DWG. NO.
SD-55460-011

F

D

V

C

B

DO NOT SCALE DRAWING

8

7

6

5

4

3

2

1

F

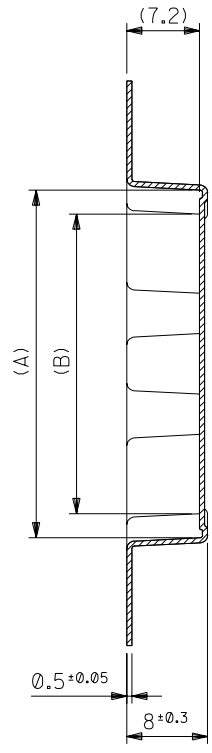
E

D

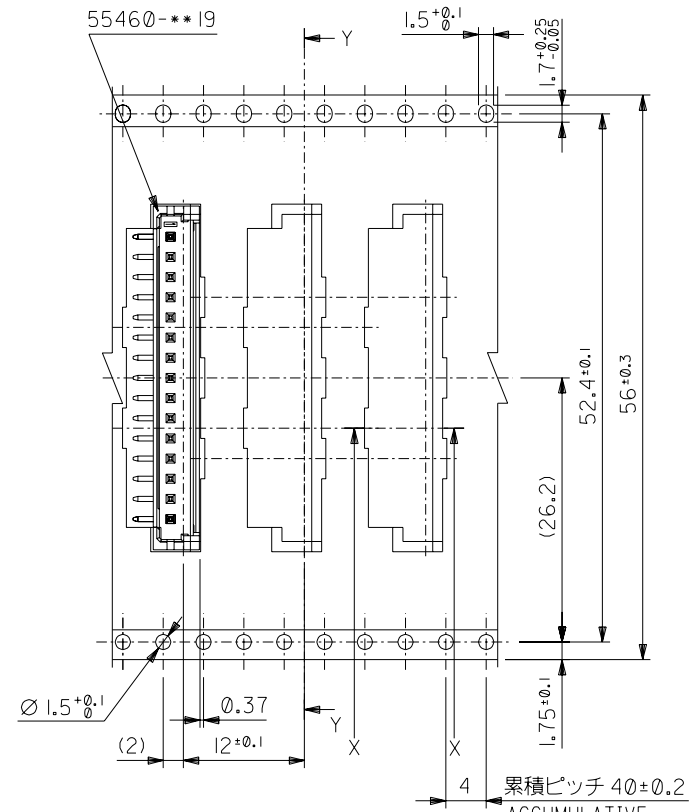
C

B

A

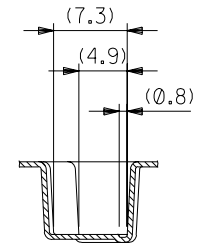


SECT. Y-Y



引き出し方向
PULL OUT DIRECTION

56mm幅キャリアテープ
56mm WIDTH CARRIER TAPE



SECT. X-X

累積ピッチ 40±0.2
ACCUMULATIVE PITCH 40±0.2

56	61.4	57.4	29.7	34.45	55460-1572	15
キャリアテープ幅	D	C	B	A	MATERIAL NO.	種数 CKTS.

55460-**-72	MODEL NO.	DIMENSIONS:	SHT	REV
<input checked="" type="checkbox"/> mm	<input type="checkbox"/> INCH	<input type="checkbox"/> mm ONLY	REVISE ON CAD ONLY	

EC NO. DRWN: CHK: APPR:	EC NO. DRWN: CHK: APPR:	EC NO. DRWN: CHK: APPR:	EC NO. DRWN: CHK: APPR:	EC NO. DRWN: CHK: APPR:	EC NO. DRWN: CHK: APPR:
EC NO. SEE SHEET 1 OF 3					
REV					

MATERIAL 材料	SHEET 1 OF 3参照 SEE SHEET 1 OF 3
FINISH 仕上げ	//
WIRE RANGE 適用電線範囲	//
INS. RANGE 被覆外径	//

GENERAL TOLERANCES: (UNLESS SPECIFIED) 一般公差	SCALE	DESIGN UNITS	THIRD ANGLE PROJECTION
10 UNDER 未満	///	<input checked="" type="checkbox"/> mm <input type="checkbox"/> INCH	<input checked="" type="checkbox"/> THIRD ANGLE <input type="checkbox"/> FIRST ANGLE
10 OVER 以上			
30 UNDER 未満			
30 OVER 以上			
ANGLE 角度			

DRAWN BY & DATE T.UENO '04/03/29	TITLE: 2.0 WtB Conn WAFER Assy Embstp pkg -LEAD FREE-
CHECKED BY & DATE M.SASAO '04/03/29	MOLEX INCORPORATED
APPROVED BY & DATE M.SASAO '04/03/29	
CAD FILENAME SD-55460-011.S03	MATERIAL NO. SEE CHART
	DRAWING NO. SD-55460-011
	SHEET NO. 3 OF 3
THIS DRAWING CONTAINS INFORMATION THAT IS PROPRIETARY TO MOLEX INCORPORATED AND SHOULD NOT BE USED WITHOUT WRITTEN PERMISSION.	
	SIZE B

8

7

6

5

4

3

2