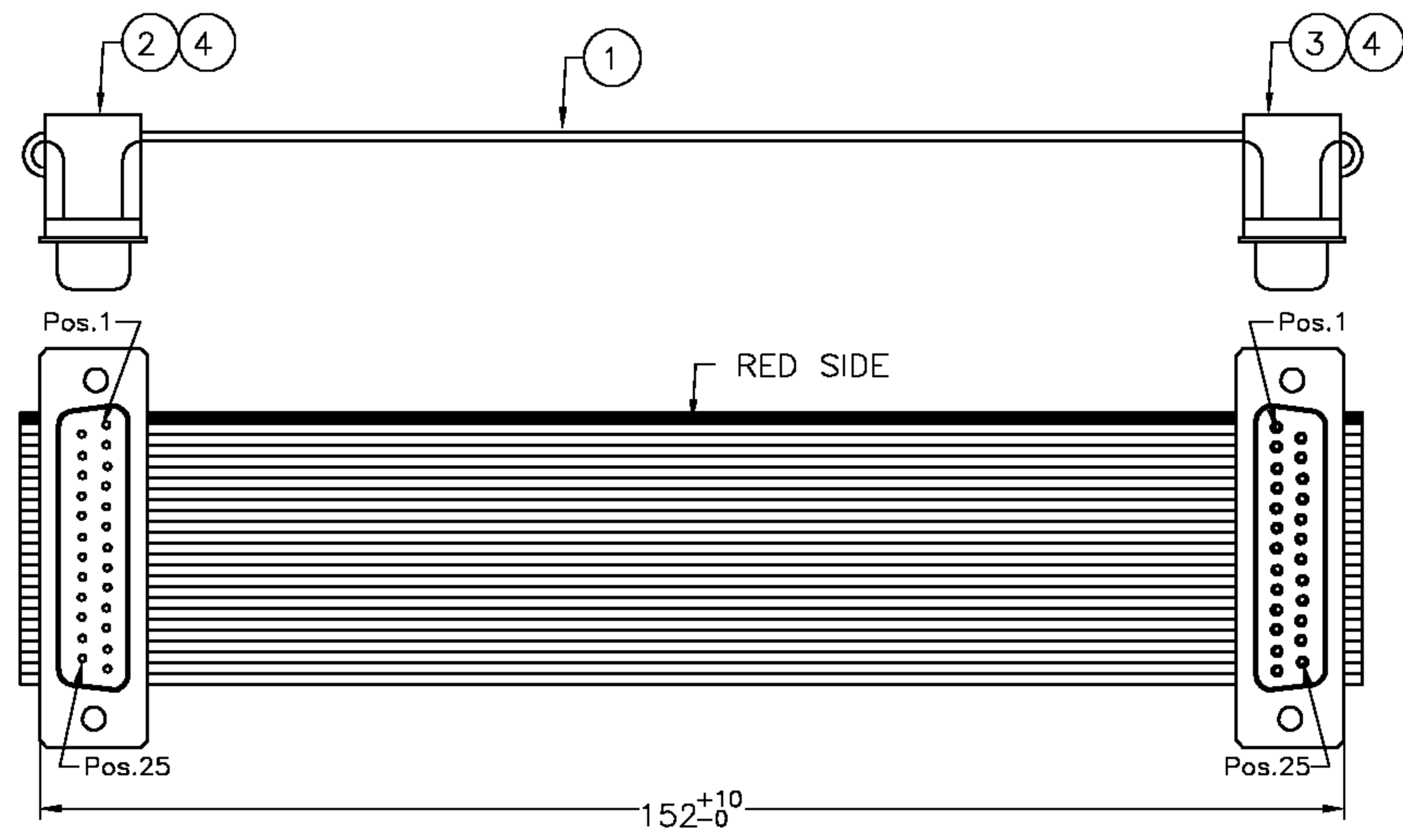


USED ON _____

DWG NO 1537733

THIS DRAWING IS A CONTROLLED DOCUMENT.



TYCO P/N: 1537733-1
 CUSTOMER P/N: EB-GCN-04-248-01-25

| QTY | U/M | PART NO. | DESCRIPTION | ITEM |
|-----|-----|----------|--|------|
| 2 | PC | | STRAIN RELIEF FOR 25 PIN | 4 |
| 1 | PC | | DB25 FEMALE, IDC TYPE, FOR WIRE 28AWG INSULATION: BLACK | 3 |
| 1 | PC | | DB25 MALE, IDC TYPE, FOR WIRE 28AWG INSULATION: BLACK | 2 |
| AR | MR | | UL2651 28AWG 25C, 1.27MM PITCH, GRAY | 1 |

| | | | |
|-------------|------------------------------------|------------|------------|
| DWN | 21JUL04 | MATERIAL | HEAT TREAT |
| BOVEY LIU | | - | - |
| CHK | 20AUG04 | | |
| PHILIP YANG | | | |
| APVD | 20AUG04 | | |
| SINGOL HE | | | |
| NAME | DB25M TO DB25F FLAT CABLE ASSEMBLY | | |
| SCALE | SIZE | DRAWING NO | SHEET |
| N.T.S. | A3 | 1537733 | 1 OF 1 |
| | | | REV |
| | | | A |

| | | | |
|-----------------|---|--|-----|
| DIMENSIONS: | | TOLERANCES UNLESS OTHERWISE SPECIFIED: | |
| MM | | 0 PLC | ± - |
| | | 1 PLC | ± - |
| | | 2 PLC | ± - |
| | | 3 PLC | ± - |
| | | 4 PLC | ± - |
| ANGLES ± | - | | |
| SURFACE TEXTURE | √ | | |

| | | | | | |
|---|-----|-----------------|---------|-----|------|
| | | | | | |
| | A | ECN-0412333 | 22NOV04 | BL | KL |
| P | LTR | REVISION RECORD | DATE | DWN | APVD |

LOC HS
 DIST 00

THIS INFORMATION IS CONFIDENTIAL AND PROPRIETARY TO TYCO ELECTRONICS CORPORATION AND ITS WORLDWIDE SUBSIDIARIES AND AFFILIATES. IT MAY NOT BE DISCLOSED TO ANYONE, OTHER THAN TYCO ELECTRONICS PERSONNEL, WITHOUT WRITTEN AUTHORIZATION FROM TYCO ELECTRONICS CORPORATION, HARRISBURG, PENNSYLVANIA USA.