

SPECIFICATIONS

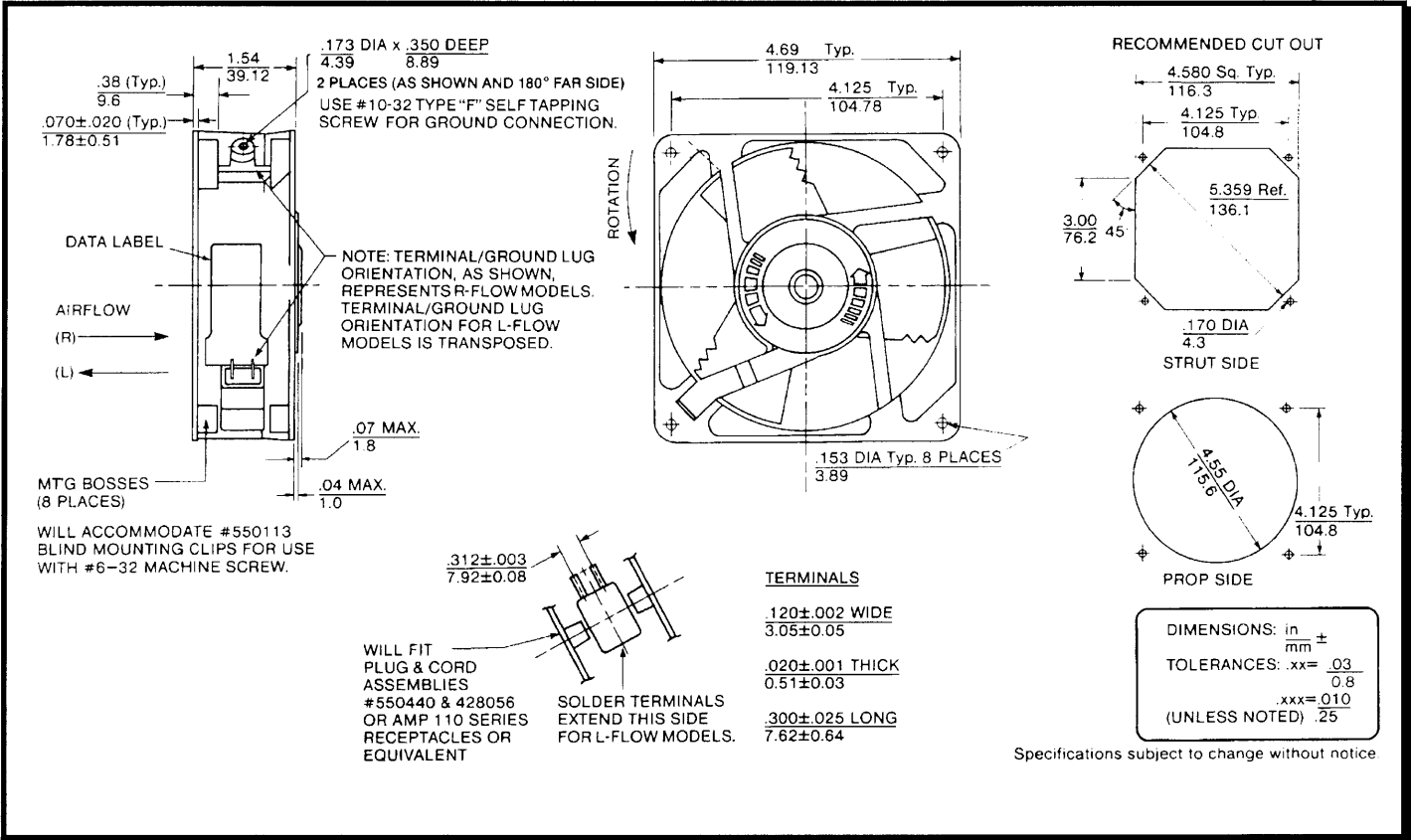


Model Number: MX2B3

Part Number: 028422

June 27, 2002

Mechanical Drawing:



Motor:
 Nominal Voltage = 115 VAC
 Frequency = 50 / 60 Hz
 Nominal Running Current = 0.200 / 0.180 amps
 Locked Rotor Current = 0.260 / 0.240 amps
 Running Power = 17 / 15 watts
 Average Speed = 2700 / 3100 RPM
 Bearings = Ball
 Air Flow = 98 / 115 CFM

Construction:
 Venturi: Zinc Alloy, Black
 Propeller: Plastic, Black, UL 94V-0

Life Expectancy:
 This fan is designed for continuous duty life of 83,000 hours at 40°C.

Additional Features:
 Shaded Pole Induction Motor
 Impedance Protected
 Feathered Edge Propeller
 Operating Temperature: -28°C to 70°C
 Storage Temperature: -40°C to 85°C

Termination:
 0.120" Terminals

Agency Approvals:
 UL, CSA, VDE

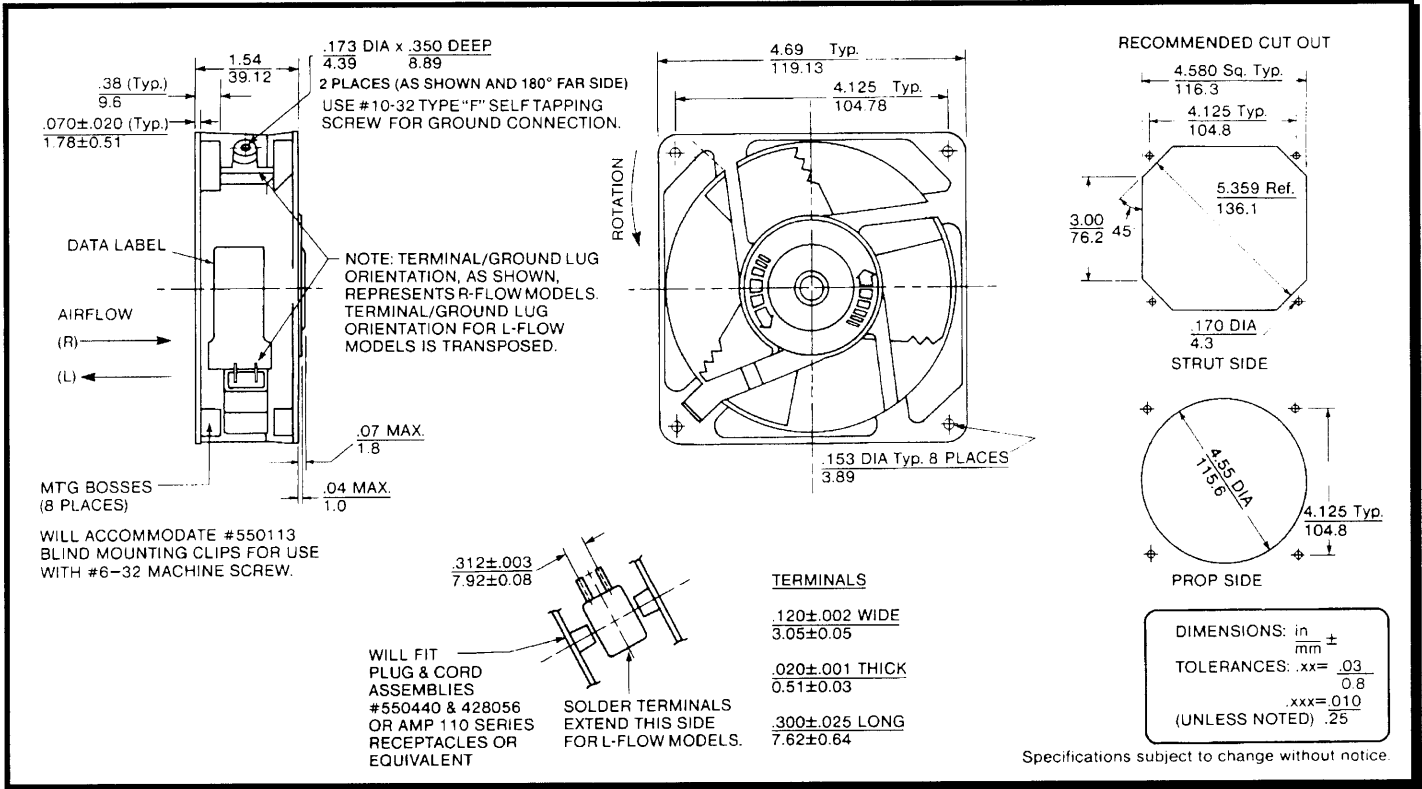
SPECIFICATIONS

Model Number: MX3B3
Part Number: 028423

May 29, 2002



Mechanical Drawing:



Motor:
 Nominal Voltage = 220 / 230 vac
 Frequency = 50 / 60 Hz
 Nominal Running Current = 0.100 / 0.090 amps
 Locked Rotor Current = 0.145 / 0.140 amps
 Running Power = 17.0 / 16.0 watts
 Average Speed = 2700 / 3100 RPM
 Bearings = Ball
 Air Flow = 98 / 115 CFM
 Acoustic = 45.7 / 49.8 dBA

Construction:
 Venturi: Zinc Alloy, Black.
 Propeller: Plastic, Black, UL 94V-0

Life Expectancy:
 This fan is designed for continuous duty life of 55,000 hours at 40°C.

Additional Features:
 Shaded Pole Induction Motor
 Impedance Protected
 Feathered Edge Propeller
 Operating Temperature: -28°C to 70°C
 Storage Temperature: -40°C to 85°C

Termination:
 0.120" Terminals

Agency Approvals:
 UL, CSA, VDE, CE

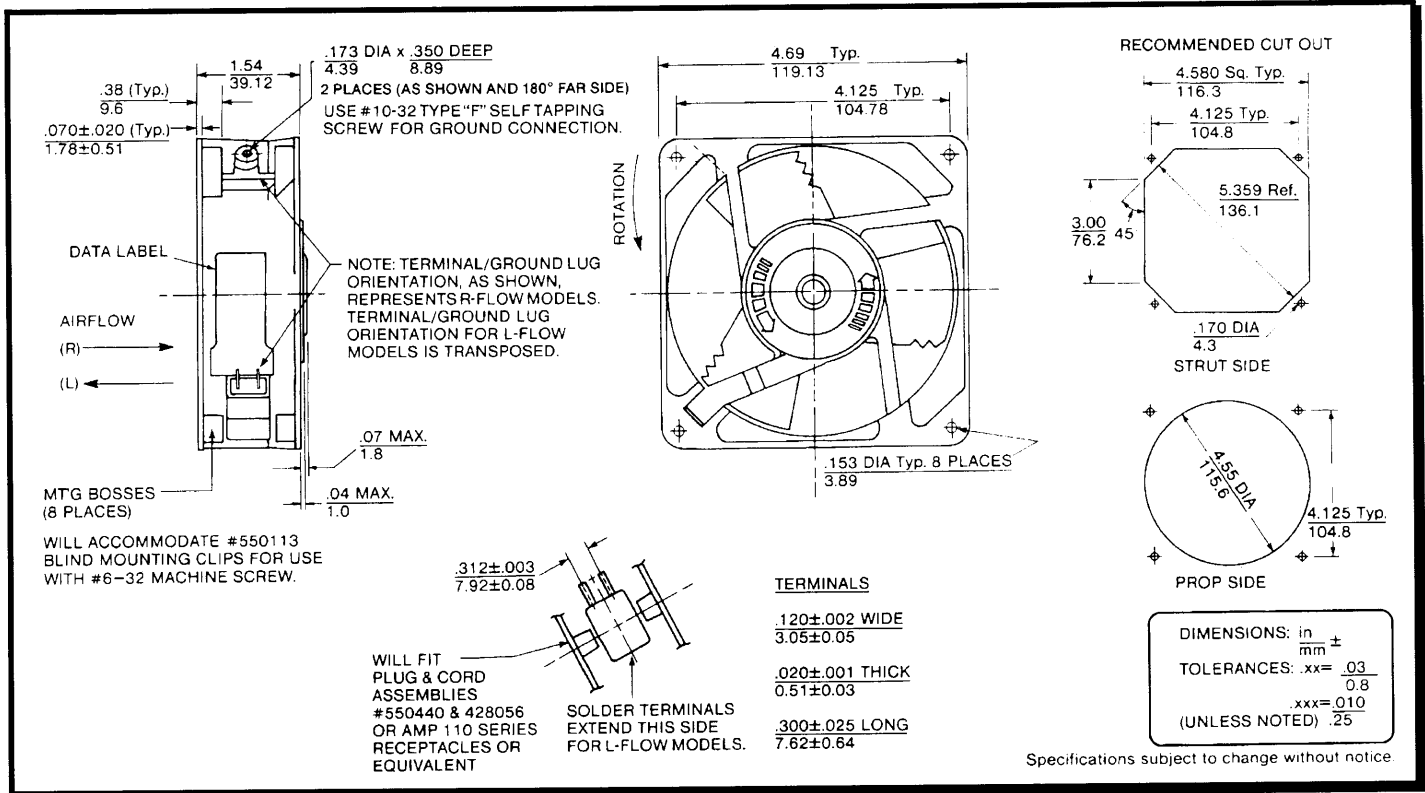
SPECIFICATIONS

Model Number: MX3B1-E1
Part Number: 039027

June 19, 2003



Mechanical Drawing:



Motor:

Nominal Voltage = 220/230 VAC
 Frequency = 50/60 Hz
 Nominal Running Current = 0.100 / 0.090 Amps
 Locked Rotor Current = 0.145 Amps
 Running Power = 17.0 / 16.0 Watts
 Average Speed = 2700 / 3100 RPM
 Bearings = Ball
 Air Flow = 92 / 108 CFM
 Acoustic = 43.4 / 51.0 dBA

Construction:

Venturi: Zinc Alloy, Black.
 Propeller: Plastic, Black, UL 94V-0

Life Expectancy:

This fan is designed for continuous duty life of 55,000 hours at 40°C.

Additional Features:

Shaded pole induction motor
 Automatic Restart Capability
 Impedance Protection
 Feather Edge Propeller
 Operating Temperature: -10°C to 70°C
 Storage Temperature: -40°C to 85°C
 Enviroshield

Termination:

2 Terminals

Agency Approvals:

UL, CSA, VDE, CE

Muffin® XL AC

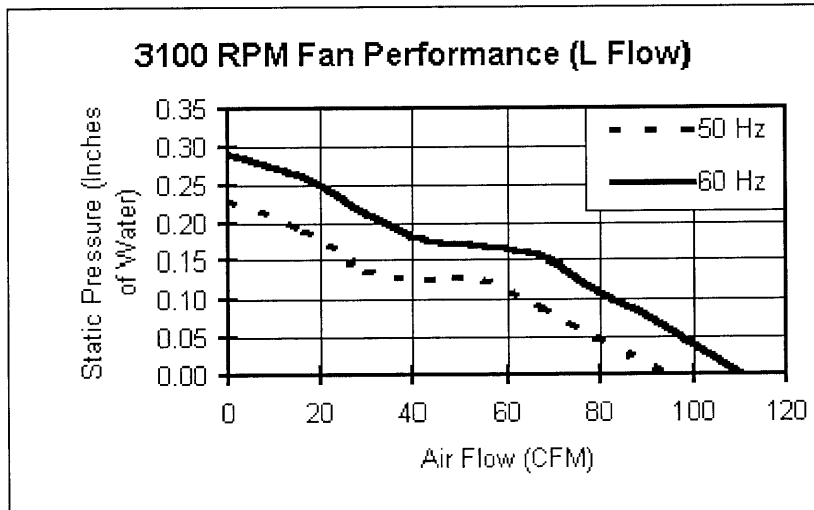
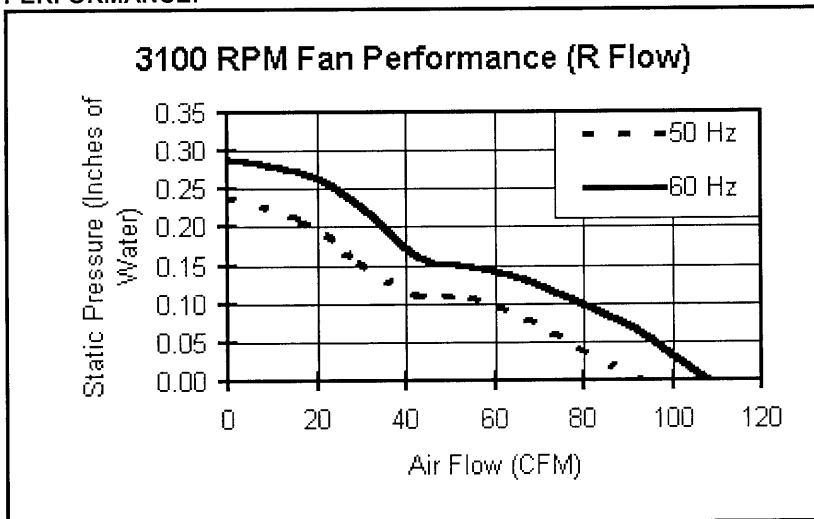
AC Tubeaxial Fan

FEATURES:

- Size: 4.69" sq. x 1.54" deep (120mm x 38mm)
- Air Flow: 105 to 115 CFM
- Voltage: 115 & 230 VAC (Special VAC Available)
- Operating Temperature Range: -10°C to +70°C
- Storage Temperature Range: -40°C to +85°C
- Ball Bearings
- Terminals
- Weight: 21 oz (.61 Kg)



PERFORMANCE:



SPECIFICATIONS:

Model No.	Part No.	VAC	Hz	Watts	Running Current (Amps)	Locked Rotor Current (Amps)	RPM	CFM	dBA	Features
MX2A1	028318	115	50/60	17/15	.20/.18	.28/.27	2700/3100	92/108	43.8/47.9	2, 4
MX2A3	028316	115	50/60	17/15	.20/.18	.28/.27	2700/3100	98/115	45.6/50.0	2, 4
MX2A4	028527	115	50/60	17/15	.20/.18	.28/.27	2700/3100	98/115	45.6/50.0	1, 4
MX2A7	028541	115	50/60	17/15	.20/.18	.28/.27	2700/3100	98/115	45.6/50.0	2, 4
MX2B1	028420	115	50/60	17/15	.20/.18	.28/.27	2700/3100	92/108	44.8/48.7	2, 3
MX2B2	030519	115	50/60	17/15	.20/.18	.28/.27	2700/3100	92/108	44.8/48.7	1, 3
MX2B3	028422	115	50/60	17/15	.20/.18	.28/.27	2700/3100	98/115	45.7/49.8	2, 3
MX2B4	030389	115	50/60	17/15	.20/.18	.28/.27	2700/3100	98/115	45.7/49.8	1, 3
MX2B7	028534	115	50/60	17/15	.20/.18	.28/.27	2700/3100	98/115	45.7/49.8	2, 3
MX3A1	028326	220/230	50/60	17/16	.10/.09	.145/.140	2700/3100	92/108	43.8/47.9	2, 4
MX3A3	028324	220/230	50/60	17/16	.10/.09	.145/.140	2700/3100	98/115	45.6/50.0	2, 4
MX3A4	031003	220/230	50/60	17/16	.10/.09	.145/.140	2700/3100	98/115	45.6/50.0	1, 4
MX3B1	028421	220/230	50/60	17/16	.10/.09	.145/.140	2700/3100	92/108	44.8/48.7	2, 3
MX3B3	028423	220/230	50/60	17/16	.10/.09	.145/.140	2700/3100	98/115	45.7/49.8	2, 3
MX23A1	028958	24	60	15	0.97	1.4	3100	108	47.9	2, 4
MX82A3	030504	24	50/60	14	0.83	0.36	3100	115	49.8	2, 4
MX70A3	028548	90	50/60		.27/.23	.30/.30	3100	115	49.8	2, 4
MX77A1	028781	220/230	50/60	15	.09/.08	.13/.12	2800/3000	90/105		2, 4
MX77A3	028792	220/230	50/60	15	.09/.08	.13/.12	2800/3000	96/112		2, 4
MX77B3	028793	220/230	50/60	15	.09/.08	.13/.12	2800/3000	96/112		2, 3
MX79A1	030553	115	50/60	15/14	.19/.16	.250/.225	2800/3000	90/105		2, 4
MX79A2	030554	115	50/60	15/14	.19/.16	.250/.225	2800/3000	90/105		1, 4

[Click here to view diagram - MuffinXLAC.gif \(73K\)](#)

FEATURES:

1. Leadwires
2. Terminals
3. Ball Bearings
4. Sleeve Bearings
5. Tachometer Output
6. Thermal Speed Control
7. Programmable Speed Control
8. Fan Performance Sensor

MOTOR:

- Two-Pole Shaded Pole Induction Motor
- Ball Bearings or Sleeve Bearings
- Impedance Protected
- 100% Dielectric Tested

CONSTRUCTION:


- Venturi - Zinc Alloy, Black
- Propeller - Polypropylene, Black, UL94V-0

LIFE EXPECTANCY:

- L10 Data - 85,000 hrs, @ 40°C

OPTIONS:

- Customized Harness Assemblies
- Threaded Mounting Holes Available

 [Back to AC Axial Fans Menu](#)

[Home](#) | [Products](#) | [Competitor Cross-Reference Search](#) | [Product Data Sheet](#)
[Engineering Notes](#) | [Stock Check / Order](#) | [About Us](#) | [What's New](#) | [Contact Us](#)

*Copyright © 1997-2000, Comair Rotron
2675 Customhouse Court, San Diego, CA 92154-7619. All Rights Reserved*