

**NEW****Stacked Coin Type**Series: **RF/RG****Features**

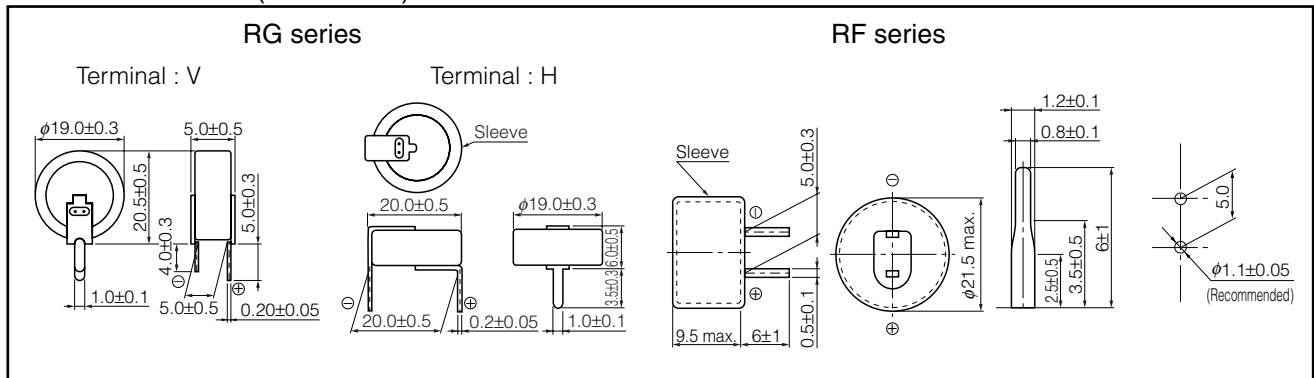
- Endurance: 85 °C 2000 h
- Can be discharged mA current
- RoHS directive compliant

**Recommended Applications**

- GAS, Water, watt-hour meter (LCD indicate, valve)
- Server

**Specifications**

Series	RG		RF	
Category temp. range	-25 °C to +85 °C			
Maximum operating voltage	3.6 V DC		3.6 V DC	5.5 V DC
Nominal capacitance	1.0 F		0.68 F	0.68 F
Capacitance tolerance	-20 % to +80%			
Stability at low and high temperature			Lower category temp. (-25 °C)	Upper category temp. (+85 °C)
	Capacitance change	±30 % of initial measured value at 20 °C		±30 % of initial measured value at 20 °C
	Internal resistance	≤4 times of initial specified value.		≤4 times of initial specified value.
After 2000 hours application of maximum operating voltage at +85 °C				
Endurance	Capacitance change	±30 % of initial measured value at 20 °C	±30 % of initial measured value at 20 °C	±30 % of initial measured value at 20 °C
	Internal resistance	40 Ω or less	30 Ω or less	40 Ω or less
After 2000 hours storage at +85 °C without load (voltage)				
Shelf life	Capacitance change	Capacitance change shall meet the specified limits for Endurance		
	Internal resistance	Internal resistance shall meet the specified limits for Endurance		

**Dimensions in mm(not to scale)****Standard Products**

Series	Maximum operating voltage (V DC)	Capacitance (F)	Internal resistance (Ω) at 1 kHz	Recommended discharge current (mA)	Case	Parts number	Mass (g)	Min. packaging Qty. 1 Tray (pcs)
RG	3.6	1.0	≤20	20 or less	A	EECRG0V105()	4.1	100
RF	3.6	0.68	≤20	25 or less	B	EECRF0V684	10	100
	5.5	0.68	≤20	20 or less	B	EECRF0H684	10	100

Do not use reflow soldering, (IR, Atmospheric heating methods, etc.) Please refer to P197 "Mounting Specifications".

( ): Please use V or H to indicate terminal type.

The recommended discharge current is a reference value.

Please design your equipment(circuit) in consideration of IR drop.

Design and specifications are each subject to change without notice. Ask factory for the current technical specifications before purchase and/or use. Should a safety concern arise regarding this product, please be sure to contact us immediately.