

TM-533-T/R

TACT Switches

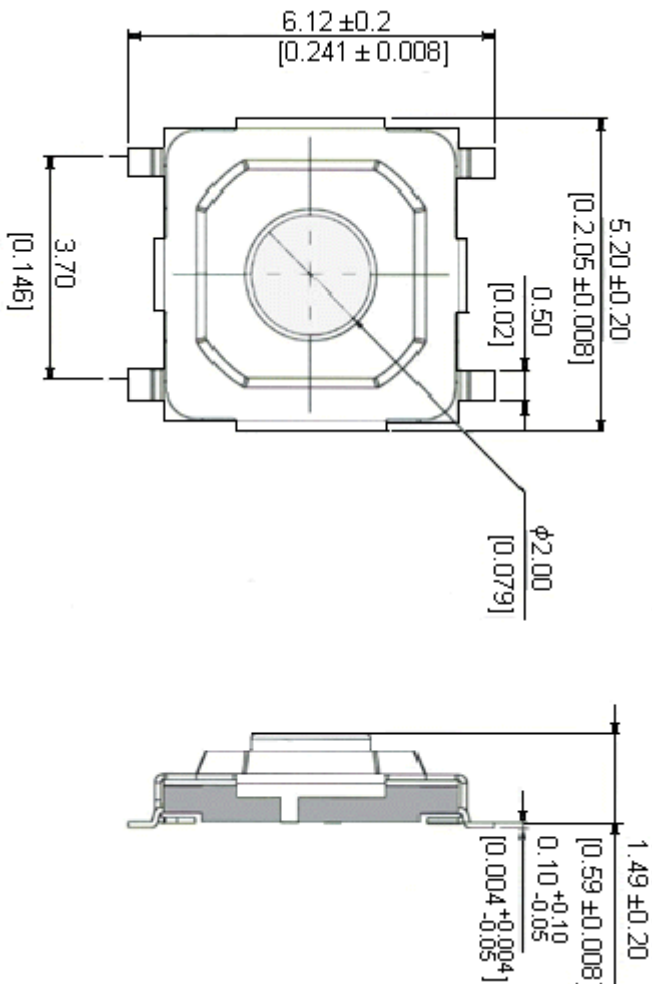


Features:

- Sharp click feel with a positive tactile feed-back. Due to small movement distance (stroke), user experiences distinct sensation when the switch clicks into place.
- Ultraminiature and light weight structure suitable for high density mounting. Economic but high reliability.
- Insert moulding in the contact with special treatment prevents flux build-up during soldering and permits auto-dipping.



TM- 533



General Tolerance: $\pm 0.2\text{mm}$ (± 0.008 ")

Dimensions : Millimetres (Inches)

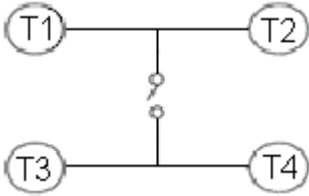


TM-533-T/R

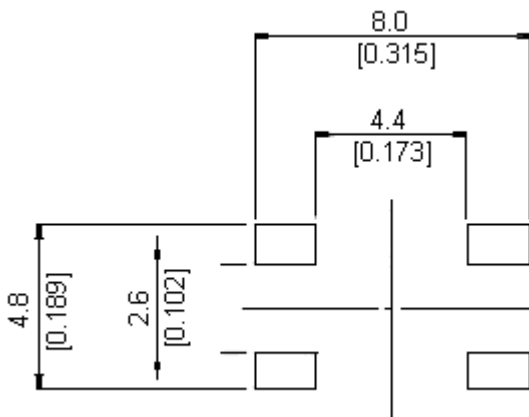
TACT Switches



Circuit Diagram



PCB Layout



Materials:

- Cover : Stainless steel.
- Contact Disc : Phosphor bronze with silver cladding.
- Terminal : Brass with silver cladding.
- Base : LCP High-temperature thermoplastic.
Colour : Black.
- Stem : Brass.

Specifications:

Mechanical:

- Operation Force : 160 ±50gf.
- Stop Strength : Place the switch such that vertical, a static load of 3kgf shall be applied in the direction of stem operation for a period of 15 seconds.
- Stroke : 0.25 (+0.2mm /-0.1mm).
- Operating Temperature Range : -25°C to +70°C.
- Storage Temperature Range : -30°C to +80°C.
- Vibration Test : MIL-STD-202F Method 201A.
 - Frequency : 10 - 55 - 10Hz/1 minute.
 - Directions : X, Y, Z, three mutually perpendicular directions.
 - Time : 2 hours each direction.
 - High reliability.



TM-533-T/R

TACT Switches



Specifications:

Mechanical:

Shock Test : MIL-STD-202F Method 213B.
Condition A.
Gravity : 50G (peak value), 11 milliseconds.
Direction and Times : 6 sides and 3 times in each direction.
High reliability.

Electrical:

Electrical Life : 300,000 cycles minimum.
Contact Resistance : 100mΩ maximum.
Insulation Resistance : 100MΩ minimum at 500V dc.
Dielectric Strength : 250V ac/1 minute.
Contact Arrangement : 1 Pole 1 throw.

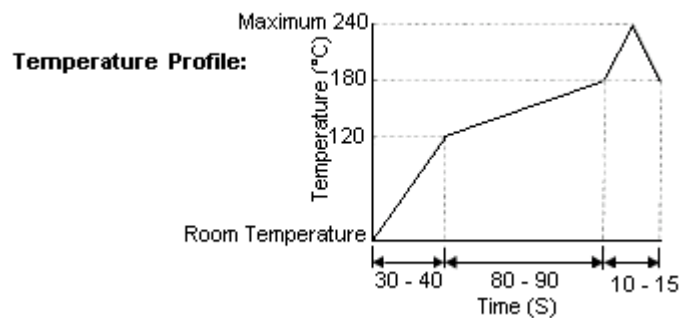
Soldering Process:

Wave Soldering : Recommended solder temperature at 500°F (260°C) maximum 5 seconds subject to PCB 1.6mm thickness.
(Soldering for through hole type)

Hand Soldering : Use a soldering iron of 30 watts, controlled at 608°F (320°C) approximately 2 seconds while applying solder.

Soldering : Vapour phase and IR-reflow soldering can be applied.

Condition for Soldering (Reflow and non-washable type).



Part Number Table

Current Rating at 12V dc (mA)	Part Number
50	TM-533-T/R

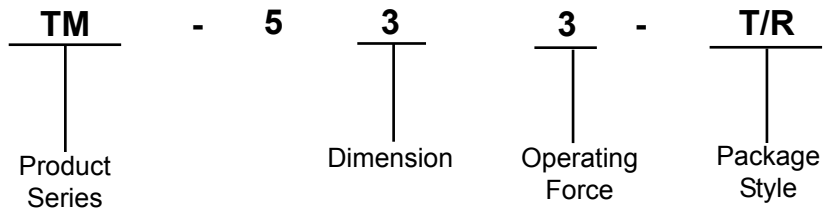


TM-533-T/R

TACT Switches



Part Number Explanation:



- Dimension** : 3 = 1.5mm.
- Operating Force** : 3 = 160gf.
- Package Style** : T/R = Tape and Reel.

TM-533-T/R

TACT Switches



Notes:

International Sales Offices:



AUSTRALIA – Farnell InOne
Tel No: ++ 61 2 9645 8888
Fax No: ++ 61 2 9644 7898



FINLAND – Farnell InOne
Tel No: ++ 358 9 560 7780
Fax No: ++ 358 9 345 5411



NETHERLANDS – Farnell InOne
Tel No: ++ 31 30 241 7373
Fax No: ++ 31 30 241 7333



SWITZERLAND – Farnell InOne
Tel No: ++ 41 1 204 64 64
Fax No: ++ 41 1 204 64 54



AUSTRIA – Farnell InOne
Tel No: ++ 43 662 2180 680
Fax No: ++ 43 662 2180 670



FRANCE – Farnell InOne
Tel No: ++ 33 474 68 99 99
Fax No: ++ 33 474 68 99 90



NEW ZEALAND – Farnell InOne
Tel No: ++ 64 9 357 0646
Fax No: ++ 64 9 357 0656



UK – Farnell InOne
Tel No: ++ 44 8701 200 200
Fax No: ++ 44 8701 200 201



BELGIUM – Farnell InOne
Tel No: ++ 32 3 475 2810
Fax No: ++ 32 3 227 3648



GERMANY – Farnell InOne
Tel No: ++ 49 89 61 39 39 39
Fax No: ++ 49 89 613 59 01



NORWAY – Farnell InOne
Tel No: ++ 45 44 53 66 66
Fax No: ++ 45 44 53 66 02



UK – BuckHickman InOne
++ 44 8450 510 150
++ 44 8450 510 130



BRAZIL – Farnell-Newark InOne
Tel No: ++ 55 11 4066 9400
Fax No: ++ 55 11 4066 9410



HONG KONG – Farnell-Newark InOne
Tel No: ++ 852 2268 9888
Fax No: ++ 852 2268 9899



PORTUGAL – Farnell InOne
Tel No: ++ 34 93 475 8804
Fax No: ++ 34 93 474 5288



UK – CPC
++ 44 8701 202 530
++ 44 8701 202 531



CHINA – Farnell-Newark InOne
Tel No: ++86 10 6238 5152
Fax No: ++86 10 6238 5022



IRELAND – Farnell InOne
Tel No: ++ 353 1 830 9277
Fax No: ++ 353 1 830 9016



SINGAPORE – Farnell-Newark InOne
Tel No: ++ 65 6788 0200
Fax No: ++ 65 6788 0300



EXPORT – Farnell InOne
Tel No: ++ 44 8701 200 208
Fax No: ++ 44 8701 200 209

For enquiries from all other markets



DENMARK – Farnell InOne
Tel No: ++ 45 44 53 66 44
Fax No: ++ 45 44 53 66 06



ITALY – Farnell InOne
Tel No: ++ 39 02 93 995 200
Fax No: ++ 39 02 93 995 300



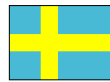
SPAIN – Farnell InOne
Tel No: ++ 34 93 475 8805
Fax No: ++ 34 93 474 5107



ESTONIA – Farnell InOne
Tel No: ++ 358 9 560 7780
Fax No: ++ 358 9 345 5411



MALAYSIA – Farnell-Newark InOne
Tel No: ++ 60 3 7873 8000
Fax No: ++ 60 3 7873 7000



SWEDEN – Farnell InOne
Tel No: ++ 46 8 730 50 00
Fax No: ++ 46 8 83 52 62

<http://www.farnellinone.com>

<http://www.buckhickmaninone.com>

<http://www.cpc.co.uk>

Disclaimer This data sheet and its contents (the "Information") belong to the Premier Farnell Group (the "Group") or are licensed to it. No licence is granted for the use of it other than for information purposes in connection with the products to which it relates. No licence of any intellectual property rights is granted. The Information is subject to change without notice and replaces all data sheets previously supplied. The Information supplied is believed to be accurate but the Group assumes no responsibility for its accuracy or completeness, any error in or omission from it or for any use made of it. Users of this data sheet should check for themselves the Information and the suitability of the products for their purpose and not make any assumptions based on information included or omitted. Liability for loss or damage resulting from any reliance on the Information or use of it (including liability resulting from negligence or where the Group was aware of the possibility of such loss or damage arising) is excluded. This will not operate to limit or restrict the Group's liability for death or personal injury resulting from its negligence. Multicomp is the registered trademark of the Group. © Premier Farnell plc 2004.

