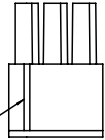
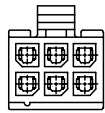
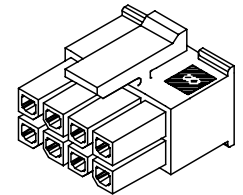
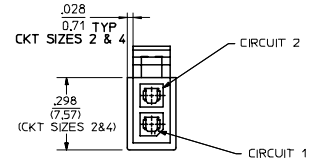
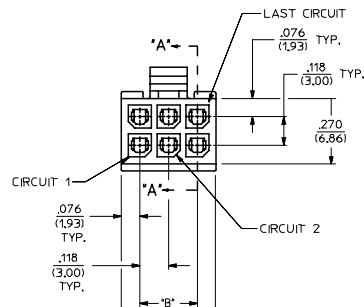


PART CHARACTERISTICS		
NUMBER OF POSITION	ASSEMBLY ITEM NUMBER	ASSEMBLY ITEM NUMBER WITH I.D. RIB
02	43025-0200	43025-02XX
04	43025-0400	43025-04XX
06	43025-0600	43025-06XX
08	43025-0800	43025-08XX
10	43025-1000	43025-10XX
12	43025-1200	43025-12XX
14	43025-1400	43025-14XX
16	43025-1600	43025-16XX
18	43025-1800	43025-18XX
20	43025-2000	43025-20XX
22	43025-2200	43025-22XX
24	43025-2400	43025-24XX

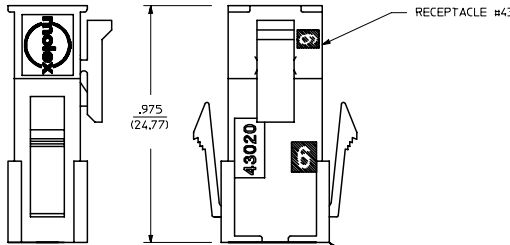
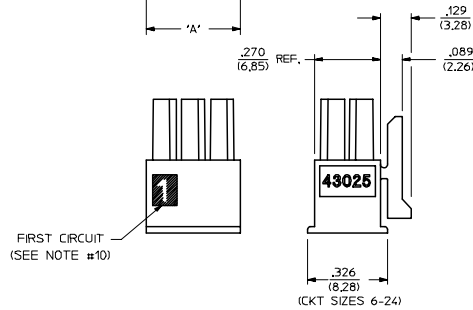
CKT. NO.	DIM. "A"	DIM. "B"
2	.152/(3,86)	N/A
4	.270/(6,85)	.118/(3,00)
6	.388/(9,85)	.236/(6,00)
8	.506/(12,85)	.354/(9,00)
10	.624/(15,85)	.472/(12,00)
12	.742/(18,85)	.591/(15,00)
14	.860/(21,85)	.709/(18,00)
16	.978/(24,85)	.827/(21,00)
18	1,096/(27,85)	.945/(24,00)
20	1,215/(30,85)	1,063/(27,00)
22	1,333/(33,85)	1,181/(30,00)
24	1,451/(36,85)	1,299/(33,00)



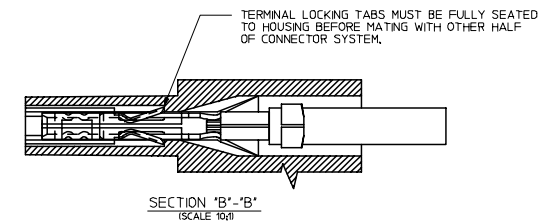
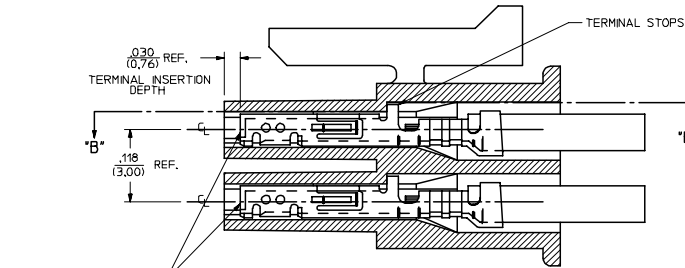
HOUSING SHOWN WITH OPTIONAL FIRST CIRCUIT IDENTIFIER RIB (SEE NOTE #10)



RECEPTACLE ISO VIEW (8 CIRCUIT SHOWN) (SEE NOTE 9 FOR TESTING)



MATED MICRO-FIT CONNECTOR



NOTES:

- HOUSING MATERIAL: UNFILLED POLYESTER, RATED UL, 94V-0, COLOR IS BLACK.
- THIS RECEPTACLE MATES WITH 43020, 43045.
- THIS RECEPTACLE IS DESIGNED IN METRIC.
- THIS RECEPTACLE TO BE USED WITH MOLEX FEMALE TERMINAL #43030-XXXX.
- SEE SECTION "A"-A" FOR TERMINAL ORIENTATION IN HOUSING.
- ALL CONNECTORS MUST MEET THE PERFORMANCE REQUIREMENTS OF MOLEX PRODUCT SPECIFICATION #PS-43045.
- FOR OVERMOLDING PARAMETERS SEE ENGINEERING SPECIFICATION #SDES-43025-1000.
- TOP PULL TABS ARE NOT AVAILABLE ON 2 AND 4 CIRCUIT PARTS.
- MOLEX RECOMMENDS THE USE OF MICRO-FIT TEST PLUG, SERIES NO. 44242-XXXX WHENEVER TESTING IS PERFORMED.
- TEST PLUGS MUST NOT BE USED FOR MAKE OR BREAK UNDER LOAD.
- SOME HOUSINGS MAY HAVE A SMALL GATE BLEMISH NEAR THE CIRCUIT #1 IDENTIFIER THAT DOES NOT AFFECT FUNCTIONALITY.
- HOUSINGS MAY HAVE EITHER AN IDENTIFIER RIB OR "1" SYMBOL ENGRAVE TO INDICATE CIRCUIT #1.

EC NO: UCP2004-1043 DRAWN: ICERNY 2004/08/09 CHKD: CHKCR 2004/08/09 APPR: FSMITH 2004/08/10 DESCRIPTION:	QUALITY SYMBOLS	GENERAL TOLERANCES (UNLESS SPECIFIED)	SCALE 4:1	DESIGN UNITS INCH	THIRD ANGLE PROJECTION	REVISE ON CAD ONLY
	4 PLACES ± ± 3 PLACES ± --- ±.010 2 PLACES ± 0,25 ±.014 1 PLACE ± 0,35 ± --- ANGULAR ±1/2° DRAFT WHERE APPLICABLE MUST REMAIN WITHIN DIMENSIONS	DIMENSION STYLE IN/MM DRAWN BY DATE A.F.G. 1993/01/14 CHECKED BY DATE B.A.P. 1993/01/14 APPROVED BY DATE R.A.S. 1993/01/14	MATERIAL NO. SEE CHART DOCUMENT NO. SDA-43025-XXXX SHEET NO. 1 OF 1			

