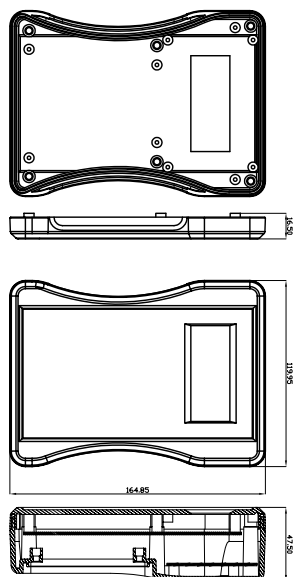
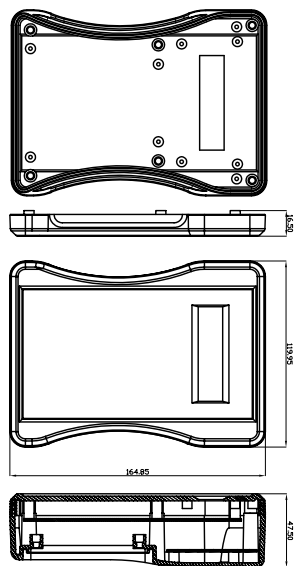


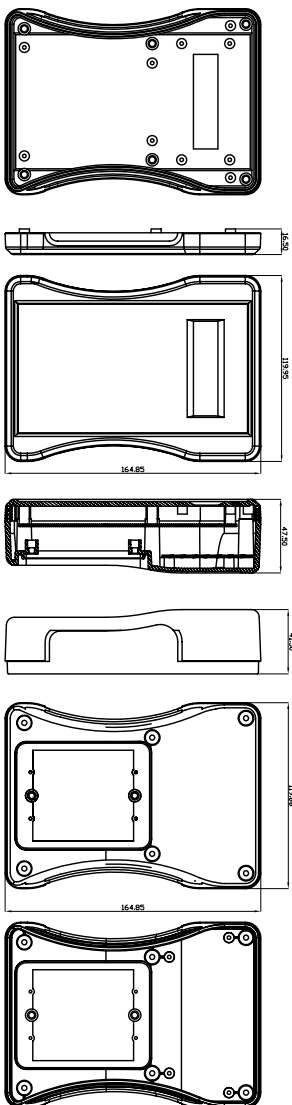
TOP-(NO-LOAD)



TOP-(MDL-S-16465)

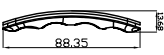


TOP-(MDL-S-16265)



TOP-(MDL-S-16265B)

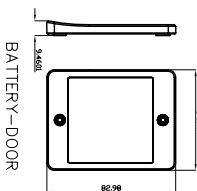
BOTTOM



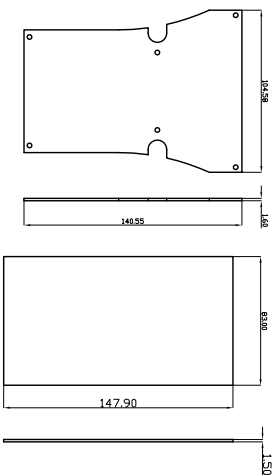
RUBBER- RIGHT



RUBBER- LEFT

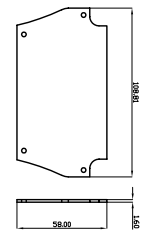


BATTERY-DOOR

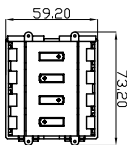


MAIN-PCB

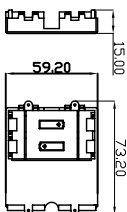
MEMBRANE KEY PAD



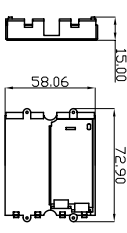
BOTTOM-PCB



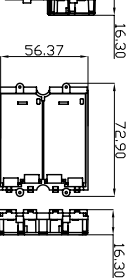
4X2A-BOX




2X2A-BOX



1X9V-BOX



2X9V-BOX

 <p>ENCLOSURES & ASSEMBLY SERVICES</p>		<p>Revision:</p>	
		<p>Model: EXTREME-S</p>	
<p>Title GRIP TECH</p>		<p>Dwg. No.:</p>	
<p>Material:</p>		<p>Color:</p>	
<p>Finish:</p>		<p>Qty:</p>	
<p>Proj.:</p>		<p>App.:</p>	
<p>TOLERANCE all dimension in mm unless otherwise specified</p>		<p>Drn. Date Czcpn 2005-10-</p>	
<p>.x ±0.20 .xx ±0.10 .xxx ±0.05 ANGLE ±0.5°</p>		<p>CHK. Date</p>	
<p>A4 1 of 1</p>		<p>Date</p>	

THIS DRAWING IS THE PROPERTY OF AND MAY CONTAIN PROPRIETARY INFORMATION OWNED BY BOX ENCLOSURES, INC. IT IS PROVIDED UNDER A CONFIDENTIAL RELATIONSHIP FOR A SPECIFIC PURPOSE. THE RECIPIENT AGREES TO USE IT ONLY FOR SUCH PURPOSE AND RETURN IT TO BOX ENCLOSURES UPON REQUEST.