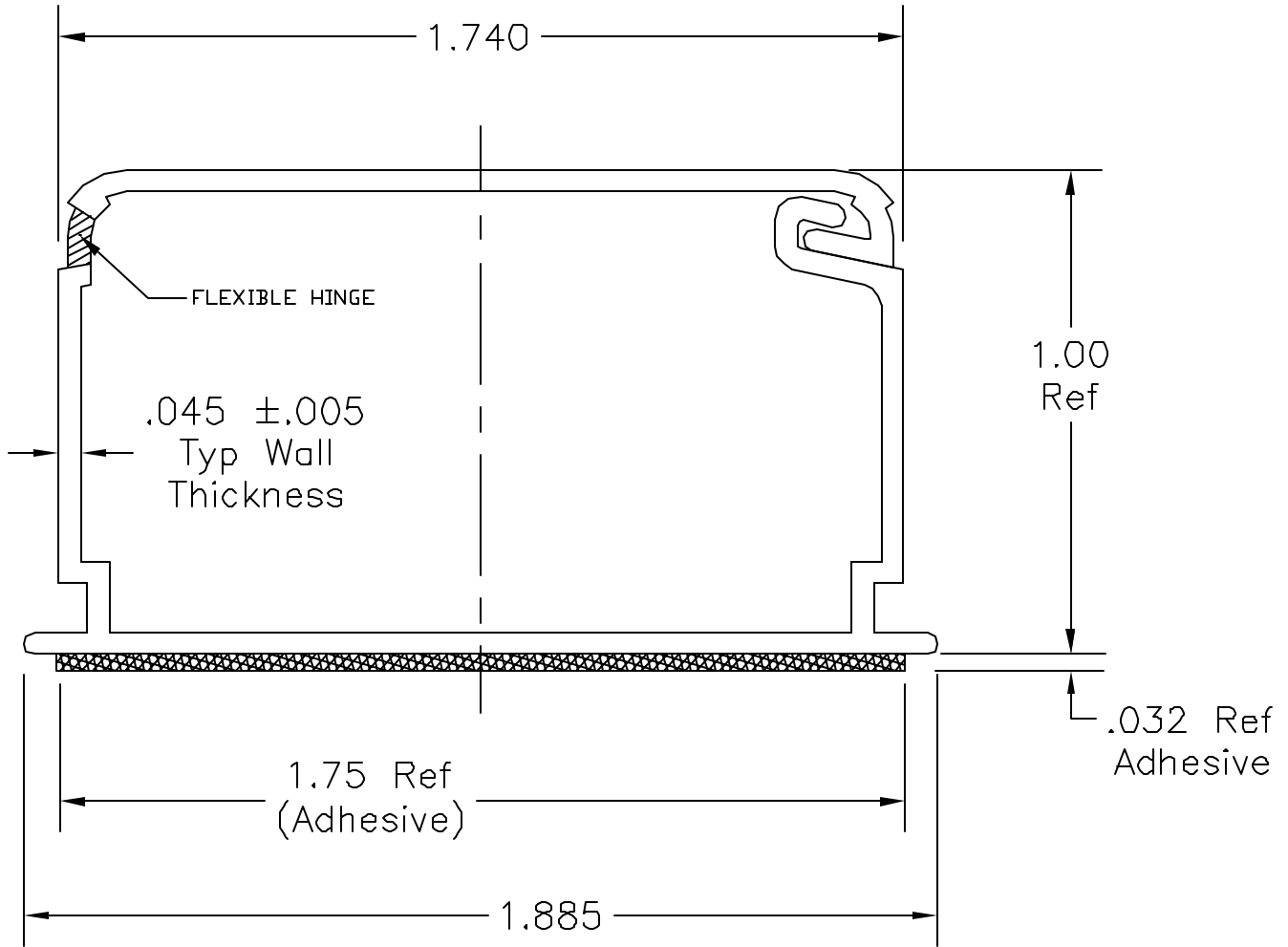


ALL RIGHTS RESERVED. NO PORTION OF THIS PUBLICATION, WHETHER IN WHOLE OR IN PART CAN BE REPRODUCED WITHOUT THE EXPRESS WRITTEN CONSENT OF SPC TECHNOLOGY.

REVISIONS			DOC. NO. SPC-F004 * Effective: 12/21/98 * DCP No: 680					
DCP #	REV	DESCRIPTION	DRAWN	DATE	CHECKD	DATE	APPRVD	DATE
808	A	RELEASED	JWM	1/7/00	JC	2/18/00	DJC	2/28/00



NOTES:

1. Length: 72.00 ± .125
2. Material: PVC
3. Color: Ivory
4. Rated: UL94V-0

SPC-F004.DWG

DISCLAIMER:
ALL STATEMENTS AND TECHNICAL INFORMATION CONTAINED HEREIN ARE BASED UPON INFORMATION AND/OR TESTS WE BELIEVE TO BE ACCURATE AND RELIABLE. SINCE CONDITIONS OF USE ARE BEYOND OUR CONTROL, THE USER SHALL DETERMINE THE SUITABILITY OF THE PRODUCT FOR THE INTENDED USE AND ASSUME ALL RISK AND LIABILITY WHATSOEVER IN CONNECTION THEREWITH.



SPC TECHNOLOGY

Tolerances Unless Otherwise Specified .X ± .03 .XX ± .01 .XXX ± .015	DRAWN BY:	DATE:	DRAWING TITLE:			
	Jeff McVicker	1/7/00	1 3/4" Surface Raceway			
	CHECKED BY:	DATE:	SIZE	DWG. NO.	ELECTRONIC FILE	REV
	JOHN COLE	2/18/00	A	8443-0487	16N2419.dwg	A
APPROVED BY:	DATE:	SCALE:	U.O.M.:	SHEET:		
Daniel Carey	2/28/00	NTS	INCHES [mm]	1 OF 1		