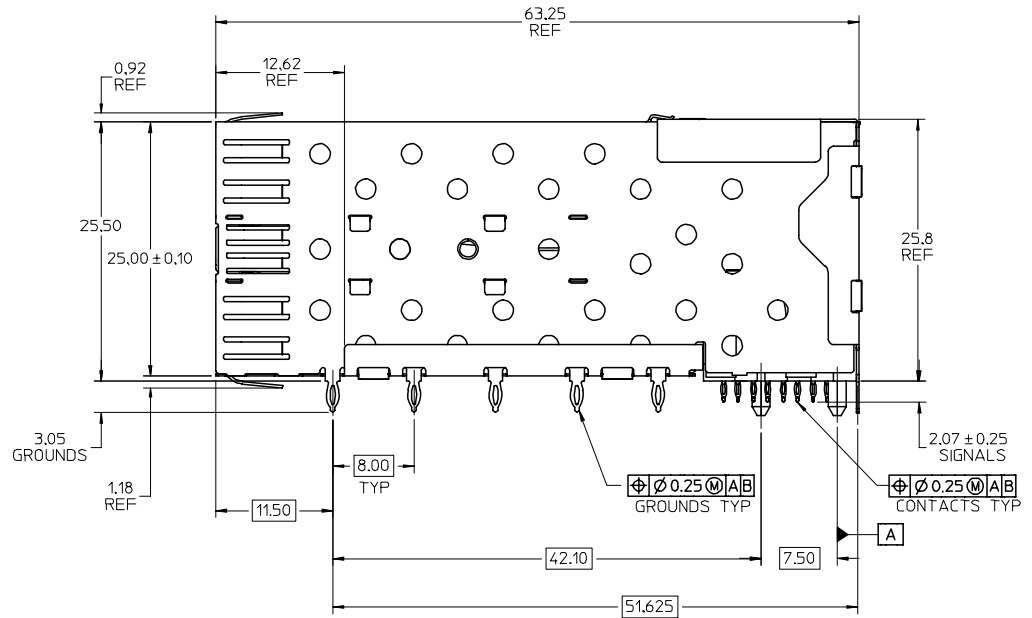
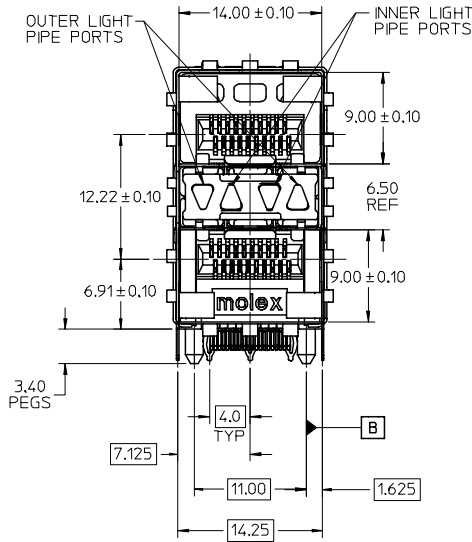


12 11 10 9 8 7 6 5 4 3 2 75640



NOTES

1. MATERIAL:

- CAGE: NICKEL SILVER, THICKNESS: 0.25mm
- CONNECTOR HOUSING: GLASS FILLED HIGH TEMP PLASTIC, COLOR: BLACK
- OVERMOLDED TERMINAL HOUSING: GLASS FILLED HIGH TEMP PLASTIC, COLOR: BLACK
- TERMINALS: BRASS
- LIGHT PIPES: POLYCARBONITE, 94 V-0, CLEAR
- LIGHT PIPE HOUSING: ZINC

2. FINISH

- LIGHT PIPE HOUSING: 150 MICRONS NICKEL OVER 150 MICRONS COPPER
- TERMINALS: CONTACT AREA: 0.76 MICRONS MIN. HARD GOLD OVER 1.27 MICRONS MIN. NICKEL.
- COMPLIANT TAIL - TIN/LEAD OPTION: 0.76 - 1.52 MICRONS 90/10 TIN/LEAD OVER 0.76 - 1.52 MICRONS NICKEL
- COMPLIANT TAIL - TIN OPTION: 0.76 - 1.52 MICRONS TIN OVER 0.76 - 1.52 MICRONS NICKEL

3. REFER TO PS-75310-001 PRODUCT SPEC FOR ALL ELECTRICAL, MECHANICAL, AND ENVIRONMENTAL SPECIFICATIONS.

4. LIGHT PIPE PAD LAYOUT IS FOR 0805 LOW-PROFILE LED PACKAGE. FOR OTHER RECOMMENDED LAYOUTS REFER TO MOLEX'S REPORT TS-75310-001.

5. REFER TO PK-75462-001 FOR ALL PACKAGING SPECIFICATIONS.

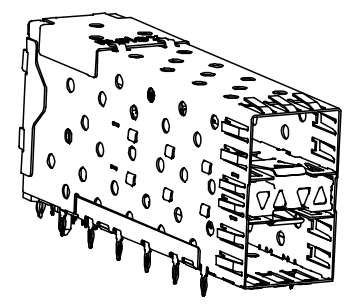
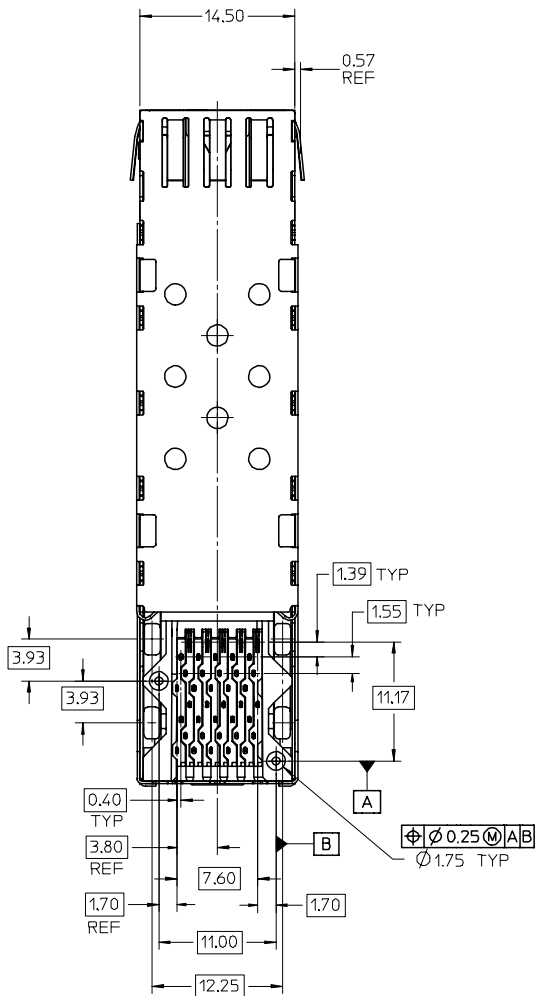
6. THE CURVED TAILS THAT GO INTO THE HOLES LOCATED BY THESE DIMENSIONS ARE BEING ELIMINATED. TO ACCOMMODATE THIS CONVERSION, IT IS RECOMMENDED THAT BOARDS DESIGNED TO THIS PRINT REVISION INCLUDE THESE HOLES.

PART NUMBER	DESCRIPTION	VIEW	COMPLIANT TAIL PLATING
75640-0001	4 PORT LIGHT PIPE	SEE PG 2	TIN LEAD
75640-0002	INNER 2 PORTS	SEE PG 2	TIN LEAD
75640-0003	OUTER 2 PORTS	SEE PG 2	TIN LEAD
75640-5001	4 PORT LIGHT PIPE	SEE PG 2	TIN
75640-5002	INNER 2 PORTS	SEE PG 2	TIN
75640-5003	OUTER 2 PORTS	SEE PG 2	TIN

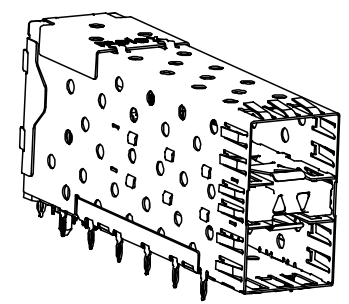
REMOVED GROUNDS EC NO: DRAWN: JIANTELEZ006/09/12 CHKD: 2006/10/09 APPR: RNELSON_2006/10/17	QUALITY SYMBOLS -0 0	GENERAL TOLERANCES (UNLESS SPECIFIED)		SCALE 3:1	DESIGN UNITS METRIC	THIRD ANGLE PROJECTION	REVISE ON CAD ONLY
		mm	INCH	DIMENSION STYLE MM ONLY			
		4 PLACES ± ---	± ---	DRAWN BY JLONG	DATE 05-15-2004		
		3 PLACES ± ---	± ---	CHECKED BY JLONG	DATE 04-16-2004		
DRAFT WHERE APPLICABLE MUST REMAIN WITHIN DIMENSIONS		ANGULAR ± 5 °		APPROVED BY KREGNIER		DATE 04-19-2004	MATERIAL NO. SEE CHART
						DOCUMENT NO. SD-75640-001	
						SHEET NO. 1 OF 4	

TITLE  
STACKED SFP 2X1 MEDIUM HEIGHT ASS'Y, PRESS-FIT TAILS WITH LIGHT PIPES  
MOLEX INCORPORATED

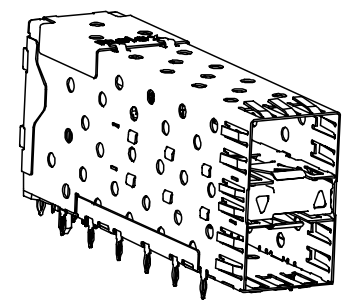
11 10 9 8 7 6 5 4 3 2 1



756400001 & 756405001  
WITH 4 LIGHT PIPE PORTS

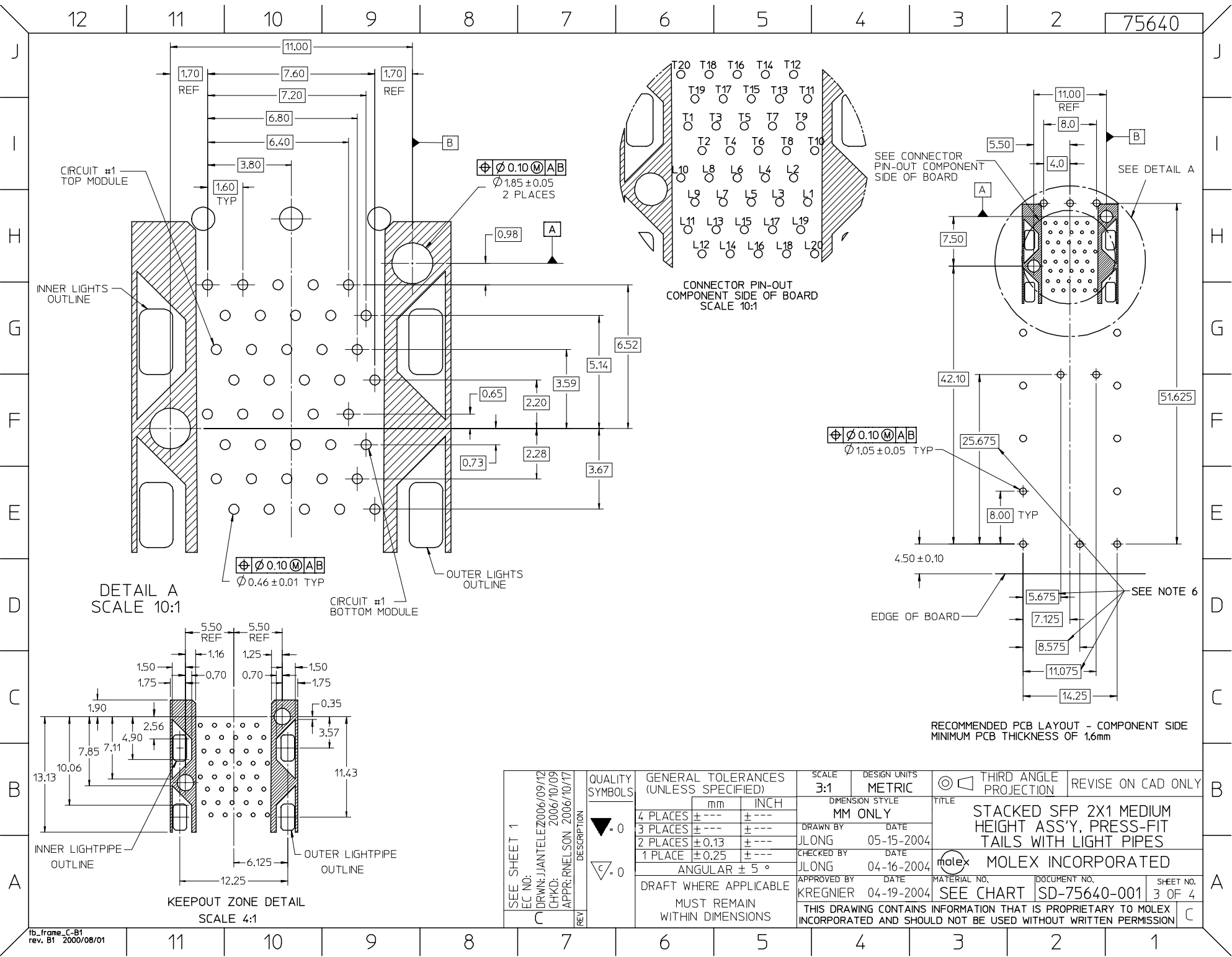


756400002 & 756405002  
WITH INNER LIGHT PIPE PORTS



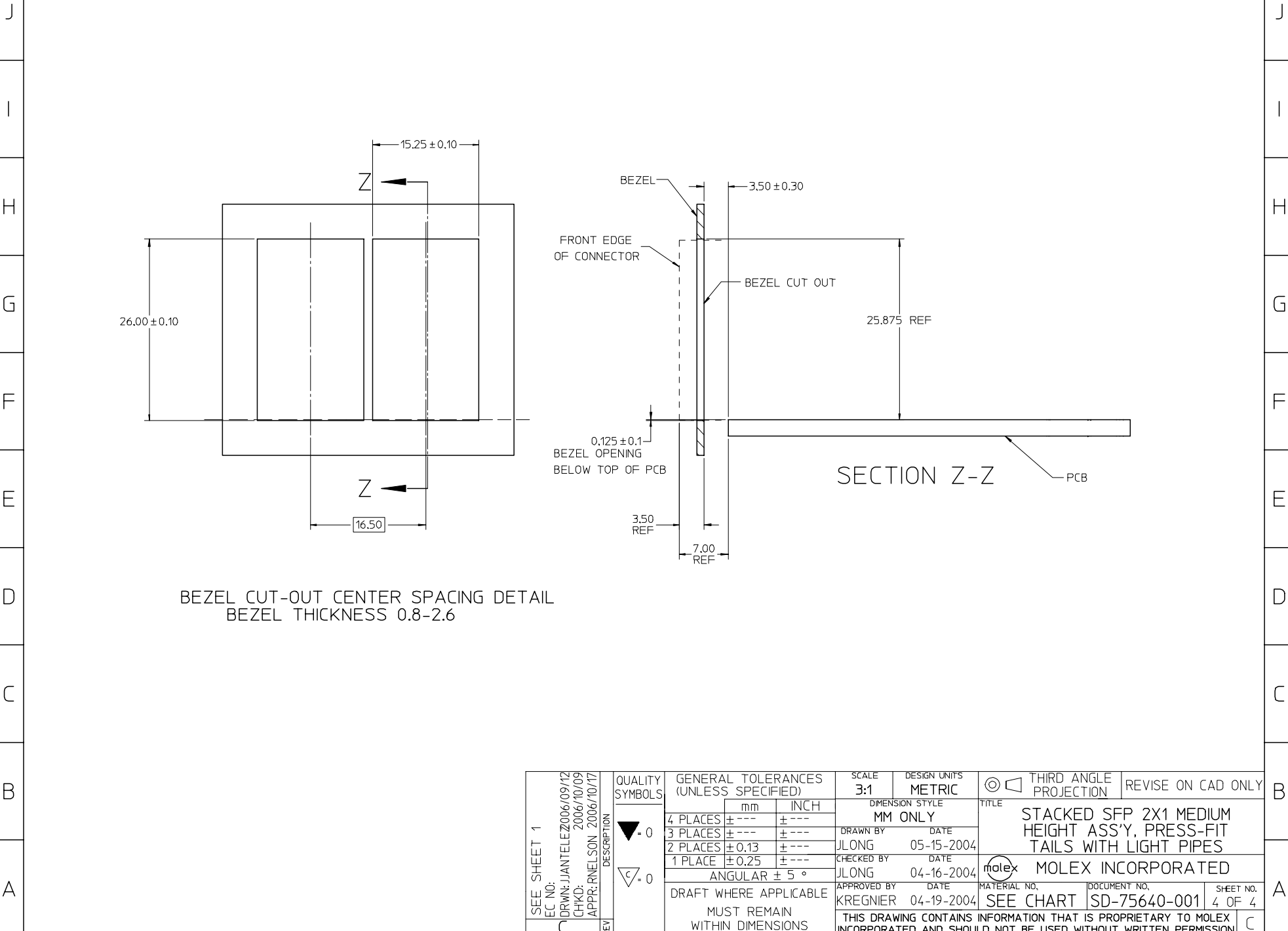
756400003 & 756405003  
WITH OUTER LIGHT PIPE PORTS

SEE SHEET 1	EC NO: DRWN: JJANTELEZ006/09/12 CHKD: 2006/10/09 APPR: RNELSON 2006/10/17	QUALITY SYMBOLS	GENERAL TOLERANCES (UNLESS SPECIFIED)		SCALE	DESIGN UNITS	THIRD ANGLE PROJECTION		REVISE ON CAD ONLY	
		DESCRIPTION REV	$\nabla$ -0 $\sphericalangle$ -0	mm INCH	3:1	METRIC	TITLE			
			4 PLACES ± --- ± --- 3 PLACES ± --- ± --- 2 PLACES ± 0.13 ± --- 1 PLACE ± 0.25 ± ---	DIMENSION STYLE MM ONLY	DATE		STACKED SFP 2X1 MEDIUM HEIGHT ASS'Y, PRESS-FIT TAILS WITH LIGHT PIPES MOLEX INCORPORATED			
			ANGULAR ± 5 °	DRAFT WHERE APPLICABLE MUST REMAIN WITHIN DIMENSIONS	DRAWN BY JLONG	CHECKED BY JLONG				
THIS DRAWING CONTAINS INFORMATION THAT IS PROPRIETARY TO MOLEX INCORPORATED AND SHOULD NOT BE USED WITHOUT WRITTEN PERMISSION										



SEE SHEET 1 EC NO: JANTLEZ006/09/12 DRWN: JJANTELEZ006/10/09 CHKD: 2006/10/09 APPR: RNELSON 2006/10/17	QUALITY SYMBOLS ▽ = 0 ▽ = 0	GENERAL TOLERANCES (UNLESS SPECIFIED)		SCALE 3:1	DESIGN UNITS METRIC	THIRD ANGLE PROJECTION	REVISE ON CAD ONLY
		4 PLACES ± --- ± --- 3 PLACES ± --- ± --- 2 PLACES ± 0.13 ± --- 1 PLACE ± 0.25 ± ---	DIMENSION STYLE MM ONLY	TITLE STACKED SFP 2X1 MEDIUM HEIGHT ASS'Y, PRESS-FIT TAILS WITH LIGHT PIPES			
		ANGULAR ± 5°	DRAWN BY JLONG DATE 05-15-2004 CHECKED BY JLONG DATE 04-16-2004	MOLEX INCORPORATED			
		DRAFT WHERE APPLICABLE MUST REMAIN WITHIN DIMENSIONS	APPROVED BY KREGNIER DATE 04-19-2004	MATERIAL NO. SEE CHART DOCUMENT NO. SD-75640-001	SHEET NO. 3 OF 4		

12 11 10 9 8 7 6 5 4 3 2 75640



BEZEL CUT-OUT CENTER SPACING DETAIL  
BEZEL THICKNESS 0.8-2.6

SEE SHEET 1	EC NO:	JJANTELEZ006/09/12	QUALITY SYMBOLS	GENERAL TOLERANCES (UNLESS SPECIFIED)		SCALE	DESIGN UNITS	THIRD ANGLE PROJECTION	REVISE ON CAD ONLY		
	CHKD:	2006/10/09		mm	INCH	3:1	METRIC				
	APPR:	RNELSON 2006/10/17		▽=0	4 PLACES	± ---	± ---	DIMENSION STYLE		TITLE	
	REV			∇=0	3 PLACES	± ---	± ---	MM ONLY		STACKED SFP 2X1 MEDIUM HEIGHT ASS'Y, PRESS-FIT TAILS WITH LIGHT PIPES	
				2 PLACES	± 0.13	± ---	DRAWN BY	DATE			
				1 PLACE	± 0.25	± ---	JLONG	05-15-2004			
				ANGULAR ± 5 °			CHECKED BY	DATE			
				DRAFT WHERE APPLICABLE			JLONG	04-16-2004			
				MUST REMAIN WITHIN DIMENSIONS			APPROVED BY	DATE			
							KREGNIER	04-19-2004			
							MATERIAL NO.		DOCUMENT NO.	SHEET NO.	
							SEE CHART		SD-75640-001	4 OF 4	
							THIS DRAWING CONTAINS INFORMATION THAT IS PROPRIETARY TO MOLEX INCORPORATED AND SHOULD NOT BE USED WITHOUT WRITTEN PERMISSION				

11 10 9 8 7 6 5 4 3 2 1