

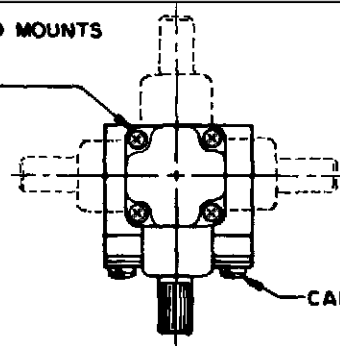
MICRO SWITCH
a Honeywell Division

FED. MFG. CODE 91929

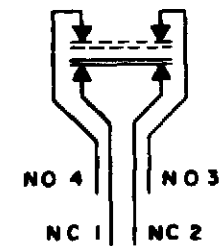
SWITCH-ENCLOSED

CATALOG LISTING
1LS1-L

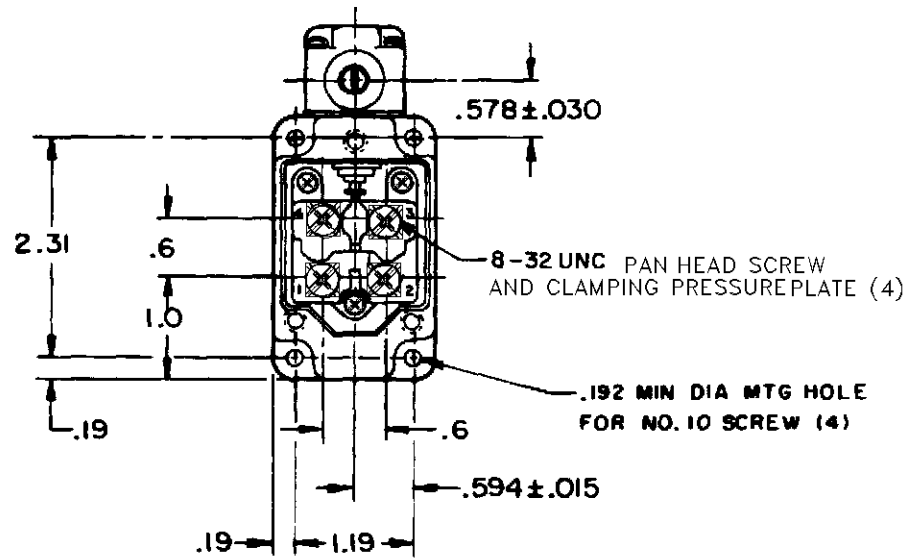
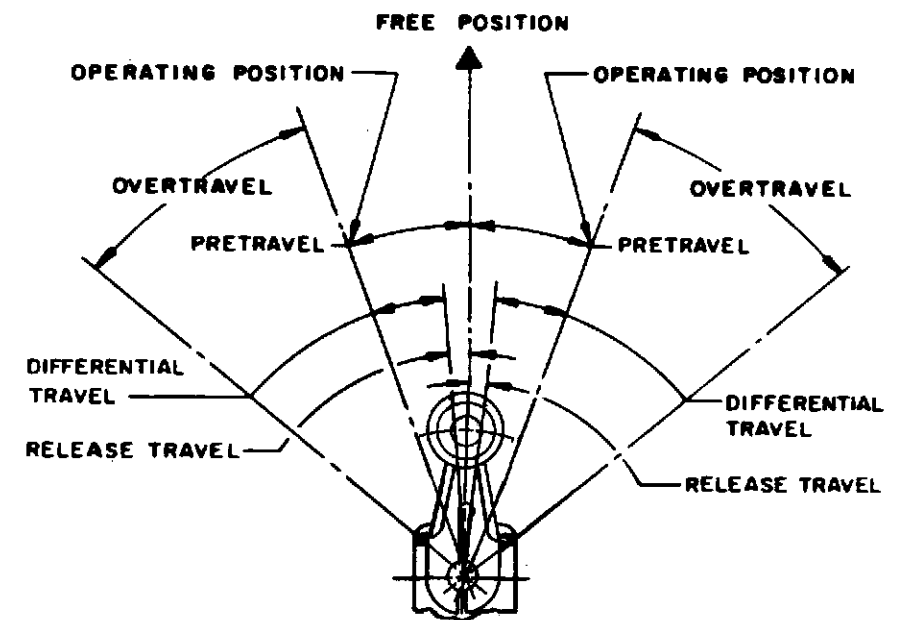
OPERATING HEAD MOUNTS
IN ANY OF FOUR
POSITIONS



CAPTIVE COVER SCREW (3)

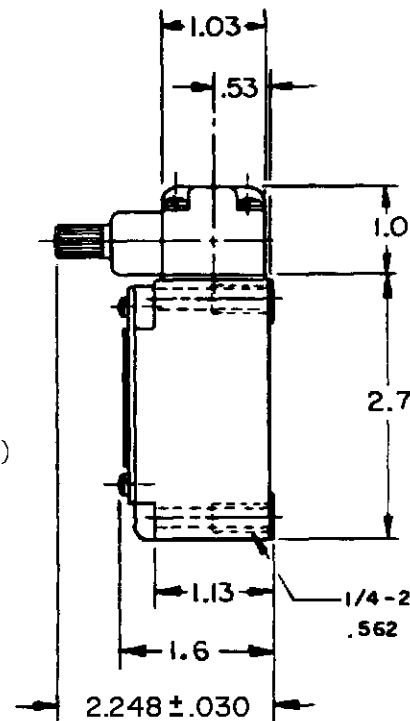


CIRCUIT DIAGRAM



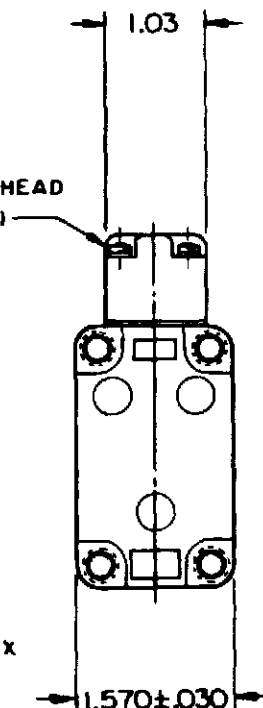
8-32 UNC PAN HEAD SCREW
AND CLAMPING PRESSUREPLATE (4)

.192 MIN DIA MTG HOLE
FOR NO. 10 SCREW (4)



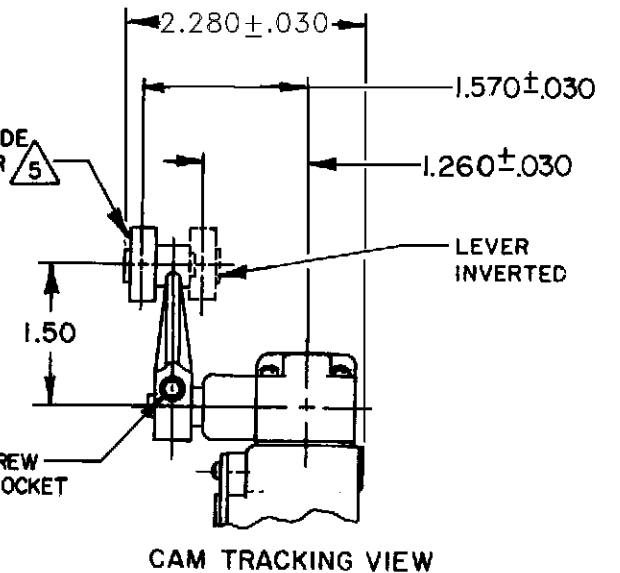
CAPTIVE HEAD
SCREW (4)

1/4-20 UNC MOD THREAD X
.562 MIN DEPTH (4)

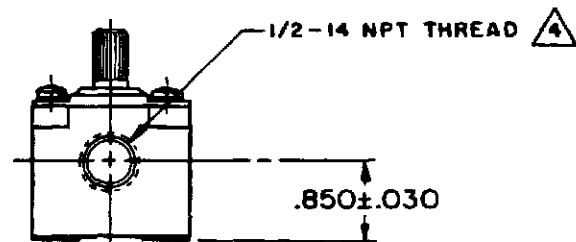


.75 DIA. X .25 WIDE
STEEL ROLLER ⁵

LEVER ADJUSTING SCREW
WITH .156 REF HEX SOCKET



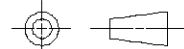
CAM TRACKING VIEW



CATALOG LISTING 1LS1-L
 PAGE 1 OF 1
 REPLACES
 RELEASE NO.
 CHECK
 REVISIONS
 A CO-76997 GJW 28 MAR 95
 B CO-95463-B GJW 28 MAR 95
 C 200178 S.A.V 3 APR 00
 CHECK
 5 MAY 95
 JAF
 CHECK
 28 MAR 95
 GJW
 DRAWN
 FORMTEK

THIS DRAWING COVERS A PROPRIETARY ITEM AND IS THE PROPERTY OF MICRO SWITCH, A DIVISION OF HONEYWELL. THIS DRAWING IS NOT TO BE COPIED OR USED WITHOUT THE APPROVAL OF MICRO SWITCH

THIRD ANGLE PROJECTION



CHARACTERISTICS	ELECTRICAL DATA
OPERATING TORQUE -----4.5 IN-LB	CONTACT ARRANGEMENT (SEE CIRCUIT DIAGRAM)
FULL OVERTRAVEL TORQUE -----6 IN-LB	L126 10A 125, 250 OR 480 VAC
RELEASE TORQUE -----.75 IN-LB	1/3HP 125 VAC, 3/4HP 250 VAC
PRETRAVEL -----20° MAX	0.8A 125 VDC, 0.4A 250 VDC
DIFFERENTIAL TRAVEL -----12° MAX	
OVERTRAVEL -----30° MIN	
RELEASE TRAVEL -----5° MIN	
SWITCH-BASIC REPLACEMENT -----2MN1-L	

SCALE	1/2 TO 1
DO NOT SCALE PRINT	
UNLESS OTHERWISE SPECIFIED TOLERANCES ARE	
ONE PLACE (.0)	±.030
TWO PLACE (.00)	±.015
THREE PLACE (.000)	±.005
ANGLES	±
WEIGHT	



- NOTES
- SWITCH IS ASSEMBLED FOR ACTUATION IN BOTH DIRECTIONS BUT MAY BE ADJUSTED TO ACTUATE IN EITHER THE CLOCKWISE DIRECTION ONLY OR THE COUNTERCLOCKWISE DIRECTION ONLY
 - TO CONVERT SWITCH FOR ACTUATION IN EITHER THE CLOCKWISE OR COUNTERCLOCKWISE DIRECTION ONLY, REMOVE ACTUATOR HEAD AND ROTATE THE NOTCHED PLUNGER 90° TO THE RIGHT FOR CLOCKWISE ACTUATION OR 90° TO THE LEFT FOR COUNTERCLOCKWISE ACTUATION

- ⁴ SEAL TO BE FURNISHED BY USER
⁵ ROLLER LEVER MAY BE LOCKED IN ANY POSITION THRU 360°
 6- LEVER FURNISHED UNASSEMBLED IN UNIT PACKING BOX