

# Fuse Clips for Printed Circuit Boards

## For ATC, 5mm, 1/4" & 13/32" Diameter Fuses

# 1AXXXX Series

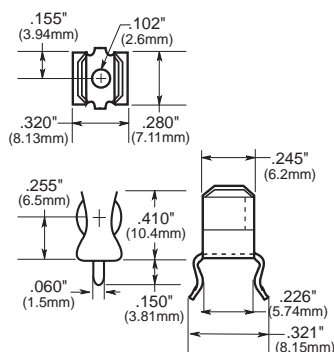
## Series

### 1A4534 Series

#### For 1/4" Diameter Fuses

With End Stops & Angled Out Leads

#### Dimensional Data



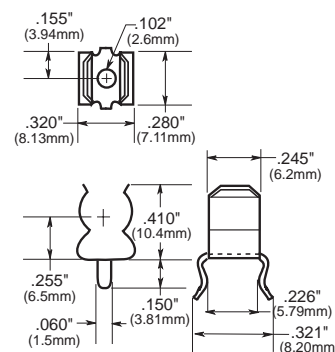
Catalog Number	Clip Mat.*	Finish
1A4534-01	BeCu**	Bright Tin
1A4534-06	Cart. Brass	Bright Tin
1A4534-07	Spg. Br.	Bright Tin

### 1A4533 Series

#### For 1/4" Diameter Fuses

Without End Stops & Angled Out Leads

#### Dimensional Data



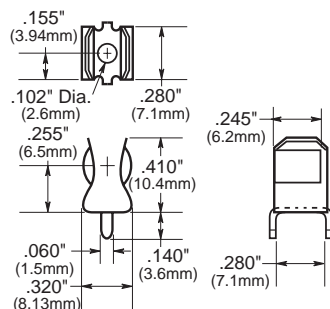
Catalog Number	Clip Mat.*	Finish
1A4533-01	BeCu**	Bright Tin
1A4533-06	Cart. Brass	Bright Tin
1A4533-07	Spg. Br.	Bright Tin

### 1A1907 Series

#### For 1/4" Diameter Fuses

With End Stops & Straight Leads

#### Dimensional Data



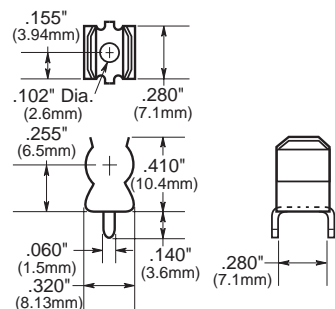
Catalog Number	Clip Mat.*	Finish
1A1907-02	Cart. Brass	None Bright Dipped
1A1907-03	BeCu**	Bright Tin
1A1907-05	BeCu**	Silver
1A1907-06	Cart. Brass	Bright Tin
1A1907-07	Spg. Br.	Bright Tin

### 1A3398 Series

#### For 1/4" Diameter Fuses

Without End Stops & Straight Leads

#### Dimensional Data



Catalog Number	Clip Mat.*	Finish
1A3398-07	Cart. Brass	Bright Tin
1A3398-08	Spg. Br.	Bright Tin

\*Spg. Br. - Spring Bronze; BeCu - Beryllium Copper; Cart. Brass - Cartridge Brass

\*\*Beryllium copper recommended for currents higher than 15 amps (1/4" clips).

# Fuse Clips for Printed Circuit Boards

## For ATC, 5mm, 1/4" & 13/32" Diameter Fuses

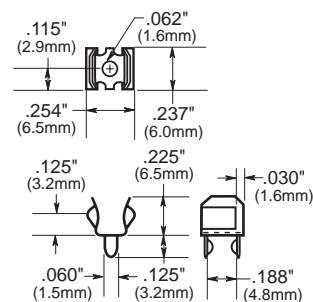
# 1AXXXX Series

### 1A3399 and 1A5018 Series

#### For 5mm Diameter Fuses

With Straight Leads

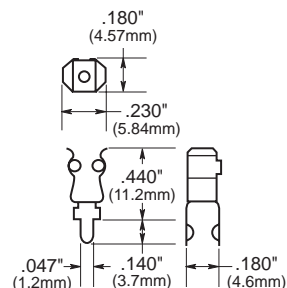
#### Dimensional Data



Catalog Number	Clip Mat.*	Finish
1A3399-10	Spg. Br.	Bright Tin
1A3399-01	BeCu**	Silver
1A3399-04	BeCu**	Bright Tin

#### High Profile

Catalog Number	Clip Mat.*	Finish
1A5018-10	Spg. Br.	Bright Tin
1A5018-7	Spg. Br.	Silver

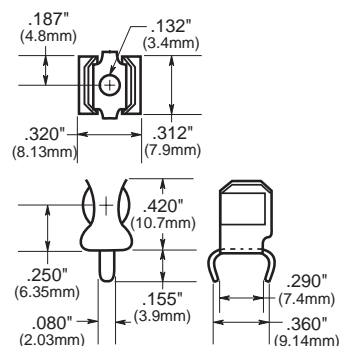


### 1A1119 Series

#### For 1/4" Diameter Fuses

With End Stops and Angled In leads

#### Dimensional Data

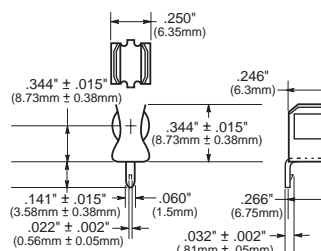


Catalog Number	Clip Mat.*	Finish
1A1119-04	BeCu**	Bright Tin
1A1119-05	BeCu**	Silver
1A1119-10	Cart. Brass	Bright Tin
1A1119-13	Spg. Br.	Bright Tin

### 1A5601 Series

For 5mm Diameter Fuses (0 to 7 amps)

#### Dimensional Data

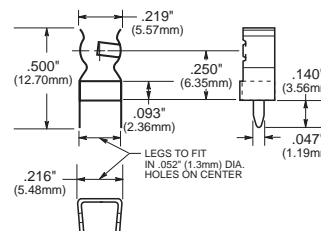


Catalog Number	Clip Mat.*	Finish
1A5601	Cart. Brass	Bright Tin

### 1A5602 Series

For 5mm Diameter Fuses (0 to 7 Amps)

#### Dimensional Data



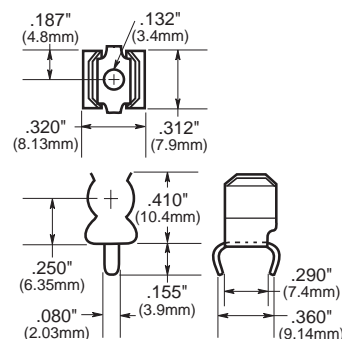
Catalog Number	Clip Mat.	Finish
1A5602	Cart. Brass	Bright Tin

### 1A1120 Series

For 1/4" Diameter Fuses

Without End Stops and Angled In Leads

#### Dimensional Data



Catalog Number	Clip Mat.*	Finish
1A1120-02	Cart. Brass	Bright Dip
1A1120-05	BeCu**	Silver
1A1120-06	BeCu**	Bright Tin
1A1120-09	Cart. Brass	Bright Tin
1A1120-12	Spg. Br.	Bright Tin
1A1120-11	Spg. Br.	None Bright Dipped

\*Spg. Br. - Spring Bronze; BeCu - Beryllium Copper; Cart. Brass - Cartridge Brass

\*\*Beryllium copper recommended for currents higher than 15 amps (1/4" clips).

# Fuse Clips for Printed Circuit Boards

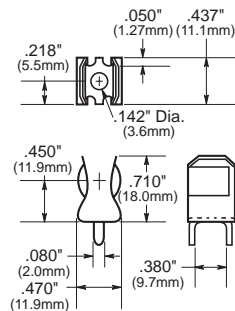
## For ATC, 5mm, 1/4" & 13/32" Diameter Fuses

# 1AXXXX Series

**1A3400 Series**  
**For 13/32" Diameter Fuses (20 Amps Maximum)**  
 With End Stops & Straight Leads

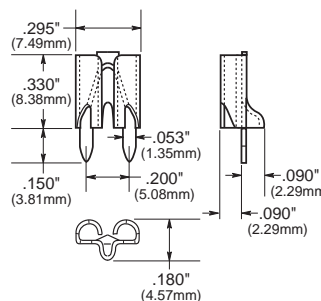
**1A5600 Series**  
**For ATC® Fuses (0 to 20 Amps)**

**Dimensional Data**



Catalog Number	Clip Mat.*	Finish
1A3400-09	Spg. Br.	Bright Tin

**Dimensional Data**

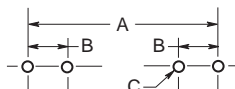


Catalog Number	Clip Mat.*	Finish
1A5600	Cart. Brass	Satin Finish Tin

**Fuse Clip Catalog Numbers**

**Footprint**

**Dimensional Data**



Catalog Number	A					20mm	B Tabs	C (4 holes)	Board Thickness
	7/8" (22.2mm)	1" (25.4mm)	1 1/4" (31.8mm)	1 3/8" (34.93mm)	1 1/2" (38.10mm)				
1A3398-	1.00"	1.125"	1.375"	—	—	—	.295" - .305"	.067" - .070"	.093"
1A1907-	(25.40)	(28.58)	(34.920)	—	—	—	(7.49 - 7.75)	(1.70 - 1.78)	(2.36)
1A1119-	1.00"	1.125"	1.375"	—	—	—	.295" - .305"	.093" ± .002"	.062" to .125"
1A1120-	(25.40)	(28.58)	(34.92)	—	—	—	(7.49 - 7.75)	(2.36 ± .05)	(1.57 to 3.18)
1A1120-	1.00"	1.125"	1.375"	—	—	—	.295" - .305"	.093" ± .002"	.062" to .125"
1A1120-	(25.40)	(28.58)	(34.920)	—	—	—	(7.49 - 7.75)	(2.36 ± .05)	(1.57 to 3.18)
1A3399-	—	—	—	—	—	.875"	.200"	.067" - .070"	.093"
1A3399-	—	—	—	—	—	(22.23)	(5.08)	(1.70 - 1.78)	(2.36)
1A3400-	—	—	—	1.50"	1.625"	—	.405"	.091" - .095"	.125"
1A3400-	—	—	—	(38.10)	(41.28)	—	(10.29)	(2.31 - 2.41)	(3.18)
1A4533-	1.00"	1.125"	1.375"	—	—	—	.300"	.067" - .070"	.062"
1A4533-	(25.40)	(28.58)	(34.920)	—	—	—	(7.62)	(1.70 - 1.78)	(1.57)
1A4534-	1.00"	1.125"	1.375"	—	—	—	.300"	.067" - .070"	.062"
1A4534-	(25.40)	(28.58)	(34.920)	—	—	—	(7.62)	(1.70 - 1.78)	(1.57)
1A5018-	—	—	—	—	—	.820" ± .015"	.180"	.053" - .002"	.093"
1A5018-	—	—	—	—	—	(20.80 ± .38)	(4.6)	(1.35 - 0.05)	(2.36)
1A5600-	—	—	—	—	—	—	.200"	.052" ± .003"	.125" max.
1A5600-	—	—	—	—	—	—	(5.08)	(1.32 ± .077)	(3.18)
1A5601-	—	—	—	—	—	.820" ± .015"	.266"	.067" ± .003"	.062"
1A5601-	—	—	—	—	—	(20.80 ± .38)	(6.76)	(1.70 ± .074)	(1.57)
1A5602-	—	—	—	—	—	—	.220"	—	.125" max.
1A5602-	—	—	—	—	—	—	(5.588)	—	(3.175)

\*Spg. Br. - Spring Bronze; BeCu - Beryllium Copper; Cart. Brass - Cartridge Brass

\*\*Beryllium copper recommended for currents higher than 15 amps (1/4" clips).

This bulletin is intended to clearly present comprehensive product data and provide technical information that will help the end user with design applications. Bussmann reserves the right, without notice, to change design or construction of any products and to discontinue or limit distribution of any products. Bussmann also reserves the right to change or update, without notice, any technical information contained in this bulletin. Once a product has been selected, it should be tested by the user in all possible applications.