

6 5 4 3 2 1

**MATERIAL AND FINISH**

Insulator: PBT, color black, UL-94V-0 rated  
 Contacts: Brass, Nickel plated

**ELECTRICAL SPECIFICATIONS:**

Current rating: 10 A  
 Voltage rating: 250 VAC  
 Current rating: 15 A  
 Voltage rating: 250 VAC  
 Insulation resistance: 100 Mohm min. at 500 VDC  
 Dielectric withstanding voltage: 2000 VAC for one minute

**MECHANICAL SPECIFICATIONS:**

Recommended screw size: Metric screw with Ø3.30mm or #6-32 US

FRONT OF CONN  
 RECOMMENDED PCB LAYOUT (TOP VIEW)

RECOMMENDED PANEL CUTOUT

REV		DATE		CHANGE		CHNG		CHK		APPR	
A	B	C	D	E	SS	TD	SS	TD	PB	TD	PB
		04/06/00			REVISD & REDRAWN		SS		PB		
		4/13/00			REVISD & UPDATED		TD		JJ		SS
		12/13/00			Revise mounting hole dia.		JJ		TD		
		9/27/01			REMEDD SCREW SIZE		TD		PB		
		11/26/01			REVISD / UPDATED		GQ		TD		PB

TOLERANCE  
 UNLESS OTHERWISE SPECIFIED

X ± 1  
 X.X ± 0.4  
 X.XX ± 0.20

DRAWN BY	SS	DATE:	12/10/98
CHECK BY	AH	DATE:	12/10/98
APPR BY	SS	DATE:	12/10/98

**Power Dynamics, Inc.**  
 Phone: 973 560-0019 Whippany, New Jersey Fax: 973 560-0076

PART: IEC 60320 C14 APPL. INLET; PCB TERMINALS, 7.2mm FOOTPRINT, SIDE FLANGE

**42R65**

PART #: 42R65

SIZE: A  
 SCALE: NTS

ALL DIMENSIONS FOR REFERENCE ONLY  
 DIMENSIONS ARE IN MILLIMETERS

SHEET 1 of 1  
 REV: E

6 5 4 3 2 1

6

5

4

3

2

1

### MATERIAL AND FINISH

Insulator: PBT, color black, UL-94V-0 rated  
Contacts: Brass, Nickel plated

### ELECTRICAL SPECIFICATIONS:

Current rating: 10 A

Voltage rating: 250 VAC



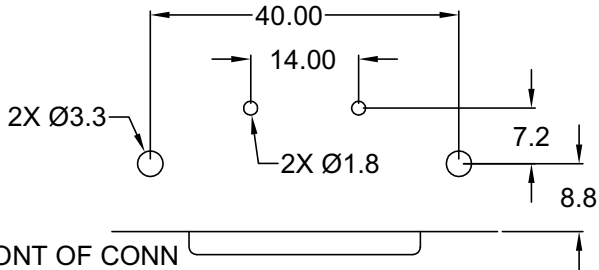
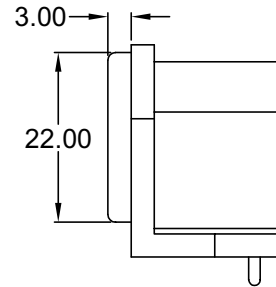
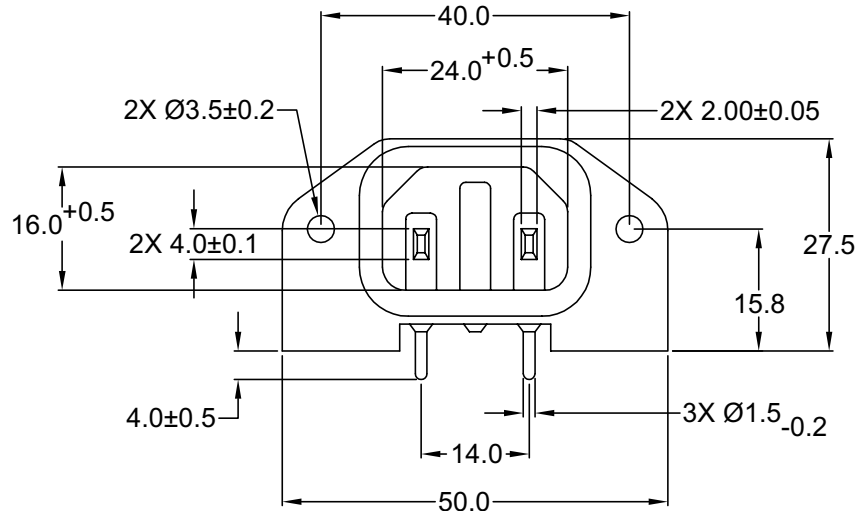
Current rating: 15 A

Voltage rating: 250 VAC

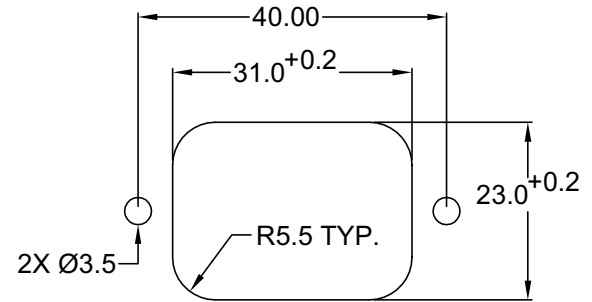
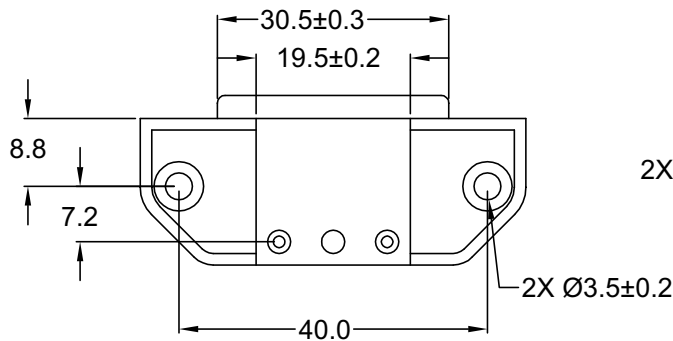


Insulation resistance: 1000 Mohm min. at 500 VDC

Dielectric withstanding voltage: 2000 VAC for one minute



RECOMMENDED PCB LAYOUT (TOP VIEW)



RECOMMENDED PANEL CUTOUT

REV	DATE	CHANGE	CHNG		CHK		APPR	
			GO	TD	PB			
			A	11/26/01	REVISED / UPDATED			

### REVISIONS

TOLERANCE UNLESS OTHERWISE SPECIFIED	
X	± 1
X.X	± 0.4
X.XX	± 0.20
DRAWN BY	TD
CHECK BY	
APPR BY	
DATE:	3/8/99
DATE:	
DATE:	

**Power Dynamics, Inc.**

Phone: 973 560-0019 Whippany, New Jersey Fax: 973 560-0076

PART: IEC 60320 C18 APPL. INLET; PCB TERMINALS, 7.2mm FOOTPRINT, SIDE FLANGE

PART #: **42R65-2P** SHEET 1 of 1

SCALE: NTS ALL DIMENSIONS FOR REFERENCE ONLY DIMENSIONS ARE IN MILLIMETERS REV: A

6

5

4

3

2

1

6

5

4

3

2

1

### MATERIAL AND FINISH

Insulator: Nylon, color black, UL-94V-2 rated  
 Contacts: Bronze, Nickel plated  
 Terminals: Bronze, Tin plated

### ELECTRICAL SPECIFICATIONS:

Current rating: 10 A



Voltage rating: 250 VAC



Current rating: 15 A

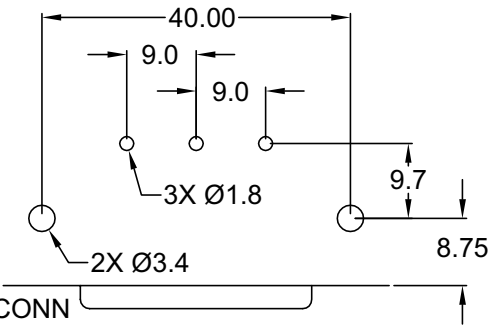
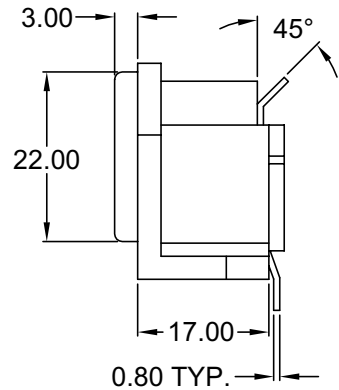
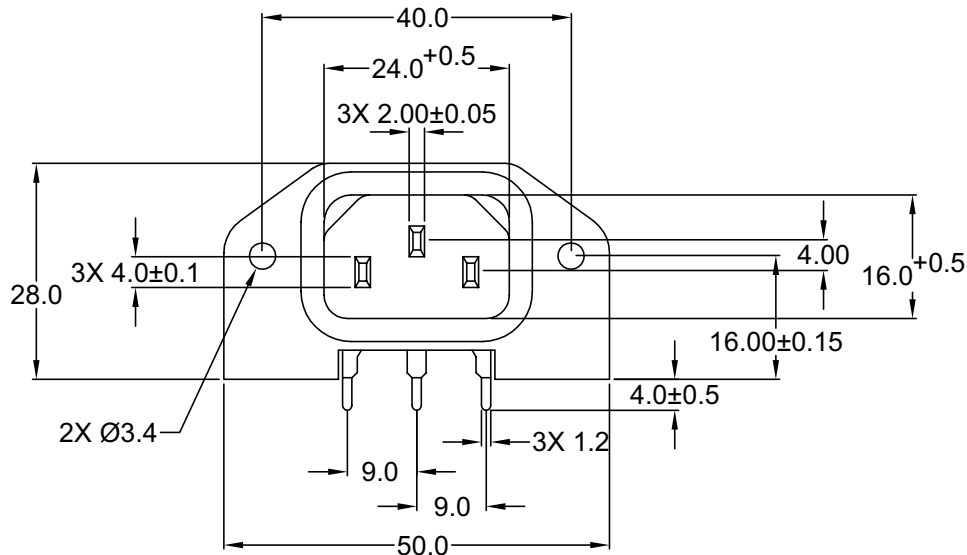


Voltage rating: 250 VAC

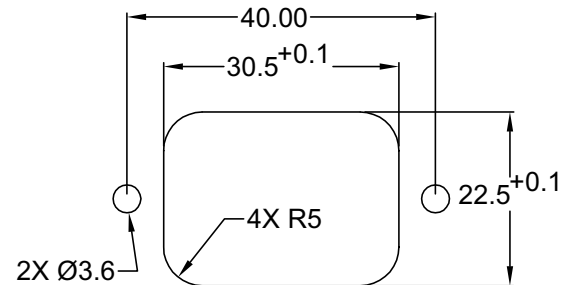
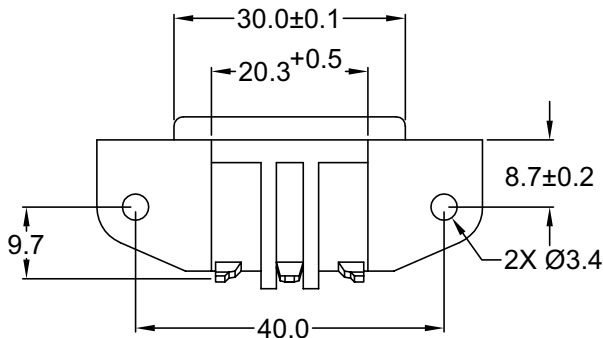
Contact resistance: 30 mohm max.

Insulation resistance: 1000 Mohm min. at 500 VDC

Dielectric withstanding voltage: 2000 VAC for one minute



RECOMMENDED PCB LAYOUT (TOP VIEW)



RECOMMENDED PANEL CUTOUT

REV	DATE	CHANGE	CHNG		CHK		APPR	
			REVISED / UPDATED	GO	TD	PB		
			A	11/20/01				

### REVISIONS

TOLERANCE UNLESS OTHERWISE SPECIFIED			
X	±	1	
X.X	±	0.4	
X.XX	±	0.20	
DRAWN BY	SLS	DATE:	8/10/98
CHECK BY	LH	DATE:	10/16/98
APPR BY	AH	DATE:	10/16/98

**Power Dynamics, Inc.**  
 Phone: 973 560-0019 Whippany, New Jersey Fax: 973 560-0076  
 PART: IEC 60320 C14 APPL. INLET; PCB TERMINALS, 9.7mm FOOTPRINT, SIDE FLANGE

PART #: PD-42R65-9.7		SHEET 1 of 1
SIZE: A	ALL DIMENSIONS FOR REFERENCE ONLY DIMENSIONS ARE IN MILLIMETERS	REV: A
SCALE: NTS		

6

5

4

3

2

1

6

5

4

3





2

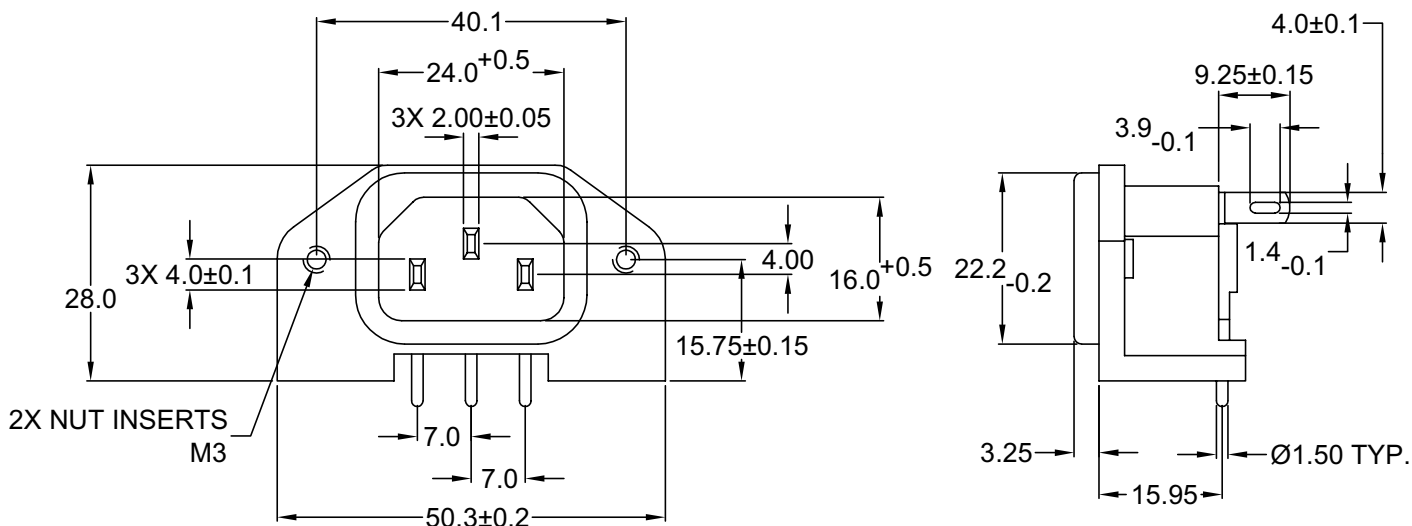
1

### MATERIAL AND FINISH

Insulator: PC (Polycarbonate), color black, UL-94V-0 rated  
 Contacts: Brass, Tin plated

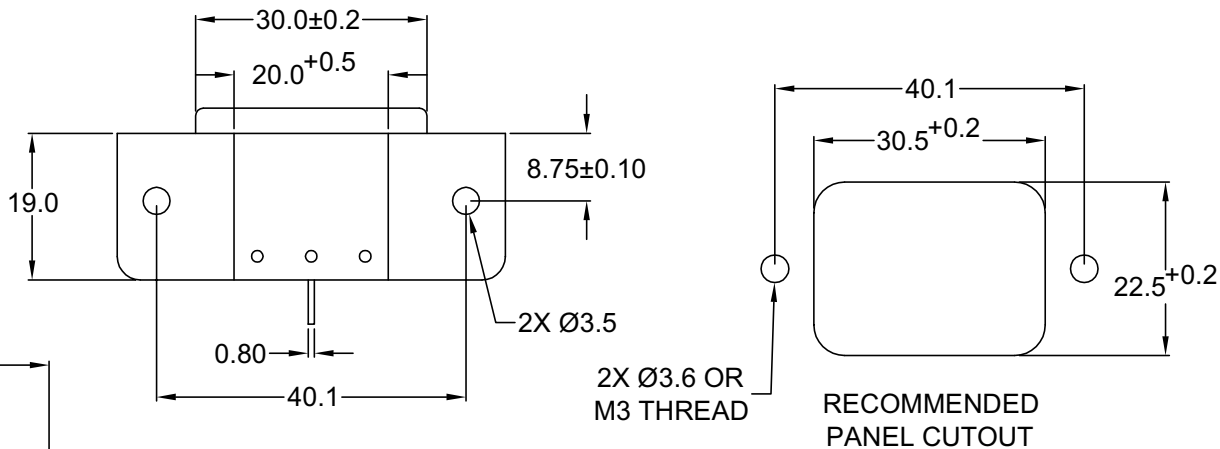
### ELECTRICAL SPECIFICATIONS:

Current rating: 10 A    
 Voltage rating: 250 VAC  
 Current rating: 15 A    
 Voltage rating: 250 VAC



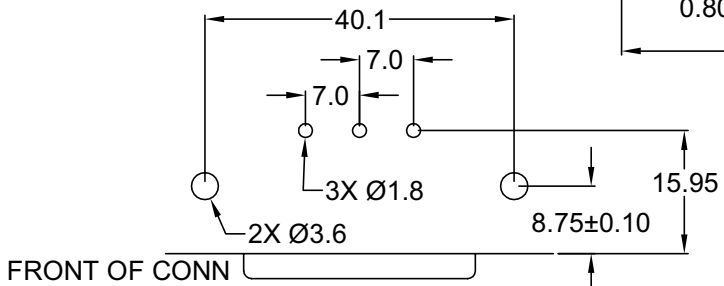
2X NUT INSERTS  
M3

Ø1.50 TYP.



2X Ø3.6 OR  
M3 THREAD

RECOMMENDED  
PANEL CUTOUT



RECOMMENDED  
PCB LAYOUT (TOP VIEW)

FRONT OF CONN

TOLERANCE UNLESS OTHERWISE SPECIFIED	
X	± 1
X.X	± 0.4
X.XX	± 0.20

**Power Dynamics, Inc.**

Phone: 973 560-0019 Whippany, New Jersey Fax: 973 560-0076

PART: IEC 60320 C14 APPL. INLET; PCB TERMINALS,  
SIDE FLANGE, M3 INSERT

DRAWN BY	LFH	DATE:	8/7/98
CHECK BY	AH	DATE:	8/11/98
APPR BY	SS	DATE:	8/11/98

PART #: <b>42R65-T</b>		SHEET	1 of 1
SIZE: A	ALL DIMENSIONS FOR REFERENCE ONLY DIMENSIONS ARE IN MILLIMETERS	REV: C	
SCALE: NTS			

D

C

B

A

6

5

4

3

2

1

6

5

4

3

2

1

### MATERIAL AND FINISH

Insulator: PC (Polycarbonate), color black,  
 UL-94V-0 rated  
 Contacts: Brass, Tin plated

### ELECTRICAL SPECIFICATIONS:

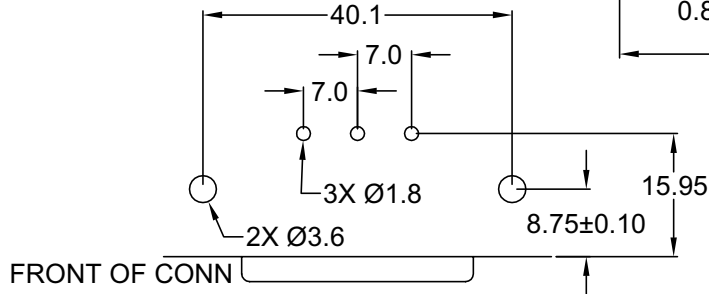
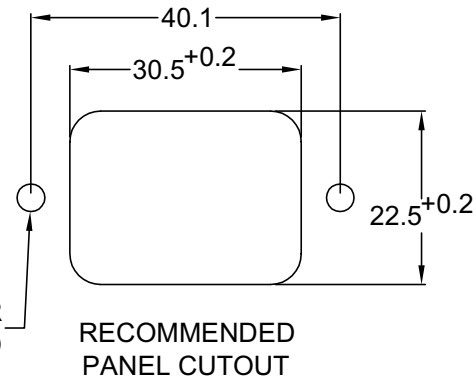
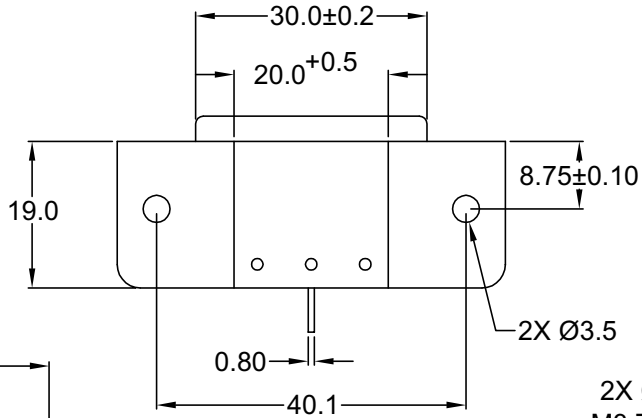
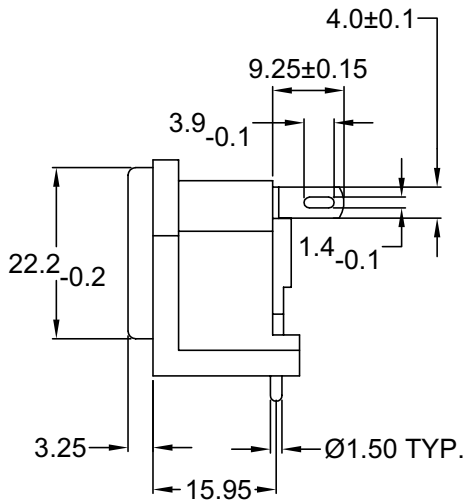
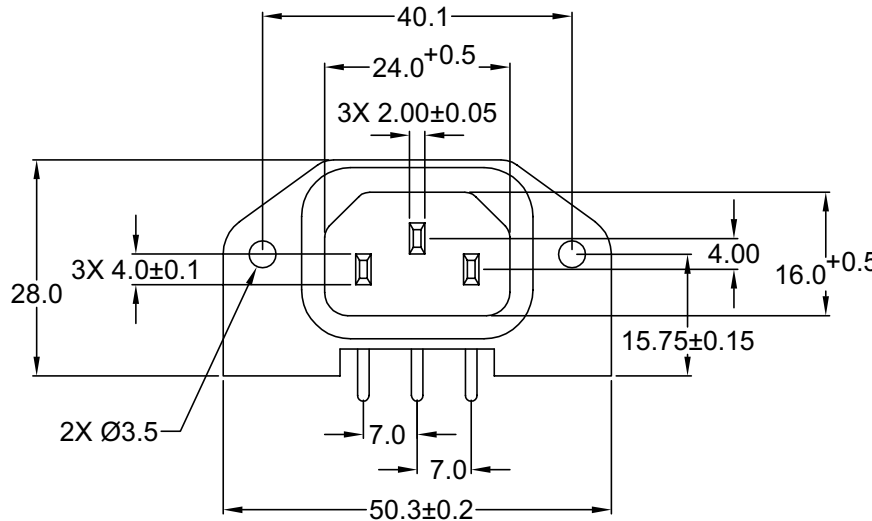
Current rating: 10 A

Voltage rating: 250 VAC



Current rating: 15 A

Voltage rating: 250 VAC



RECOMMENDED  
PCB LAYOUT (TOP VIEW)

2X Ø3.6 OR  
M3 TRHEAD

REV	DATE	CHANGE	REVISIONS			
			CHNG	CHK	APPR	
A5-B6	6/95	BODY MODIF.	CE		KH	
A5-B6	11/5	ADDED PANEL CUTOUT	SS		TD	JJ
C	11/19/01	REVISED / UPDATED	GO		TD	PB

TOLERANCE UNLESS OTHERWISE SPECIFIED	
X	± 1
X.X	± 0.4
X.XX	± 0.20

DRAWN BY	CE	DATE:	12/10/97
CHECK BY	AH	DATE:	11/5/98
APPR BY	SS	DATE:	11/5/98

## Power Dynamics, Inc.

Phone: 973 560-0019 Whippany, New Jersey Fax: 973 560-0076

PART: IEC 60320 C14 APPL. INLET; PCB TERMINALS  
15.95mm FOOTPRINT, SIDE FLANGE

PART #: <b>42R65-1111</b>		SHEET 1 of 1
SIZE: A	ALL DIMENSIONS FOR REFERENCE ONLY DIMENSIONS ARE IN MILLIMETERS	
SCALE: NTS	REV: <b>C</b>	

6

5

4

3

2

1

6

5

4

3

2

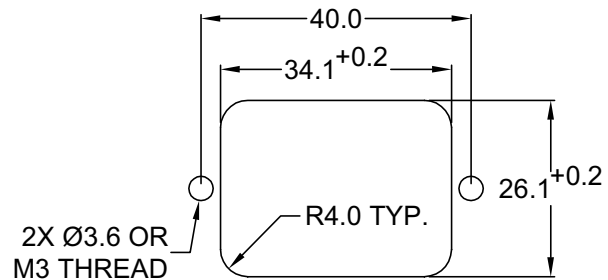
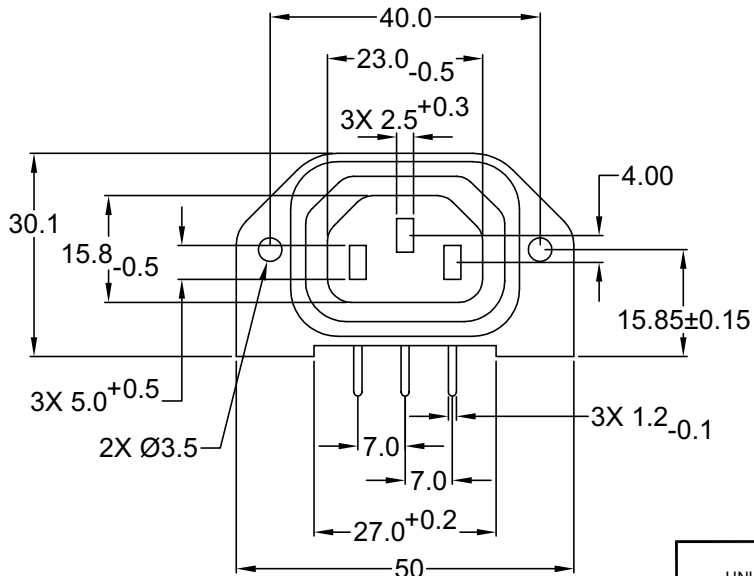
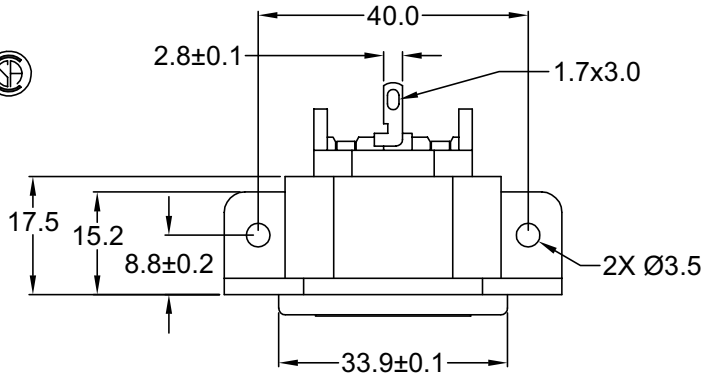
1

MATERIAL AND FINISH

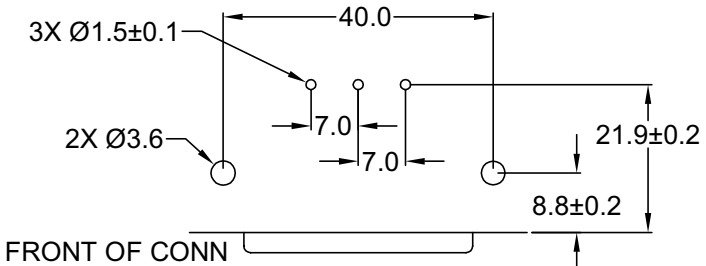
Insulator: PC (Polycarbonate), color black, UL-94V-0 rated  
Contacts: Brass, Tin Plated

ELECTRICAL SPECIFICATIONS:

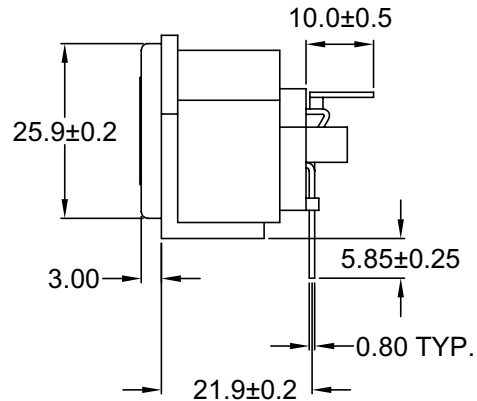
Current rating: 10 A  
Voltage rating: 250 VAC  
Current rating: 15 A  
Voltage rating: 250 VAC



RECOMMENDED PANEL CUTOUT



RECOMMENDED PCB LAYOUT (TOP VIEW)



REVISIONS	CHNG	CHK	APPR
	DATE	REVISED / UPDATED	QTY
	12/05/01		
	A		

TOLERANCE UNLESS OTHERWISE SPECIFIED		
X	±	1
X.X	±	0.4
X.XX	±	0.20
DRAWN BY	AH	DATE: 3/25/98
CHECK BY		DATE:
APPR BY	SS	DATE: 11/9/98

**Power Dynamics, Inc.**  
Phone: 973 560-0019 Whippany, New Jersey Fax: 973 560-0076

PART: IEC 60320 C13 APPL. OUTLET; PCB  
TERMINALS, SIDE FLANGE

PART #: **43R65**

SIZE: A  
SCALE: NTS

ALL DIMENSIONS FOR REFERENCE ONLY  
DIMENSIONS ARE IN MILLIMETERS

SHEET 1 of 1  
REV: A

6

5

4

3

2

1