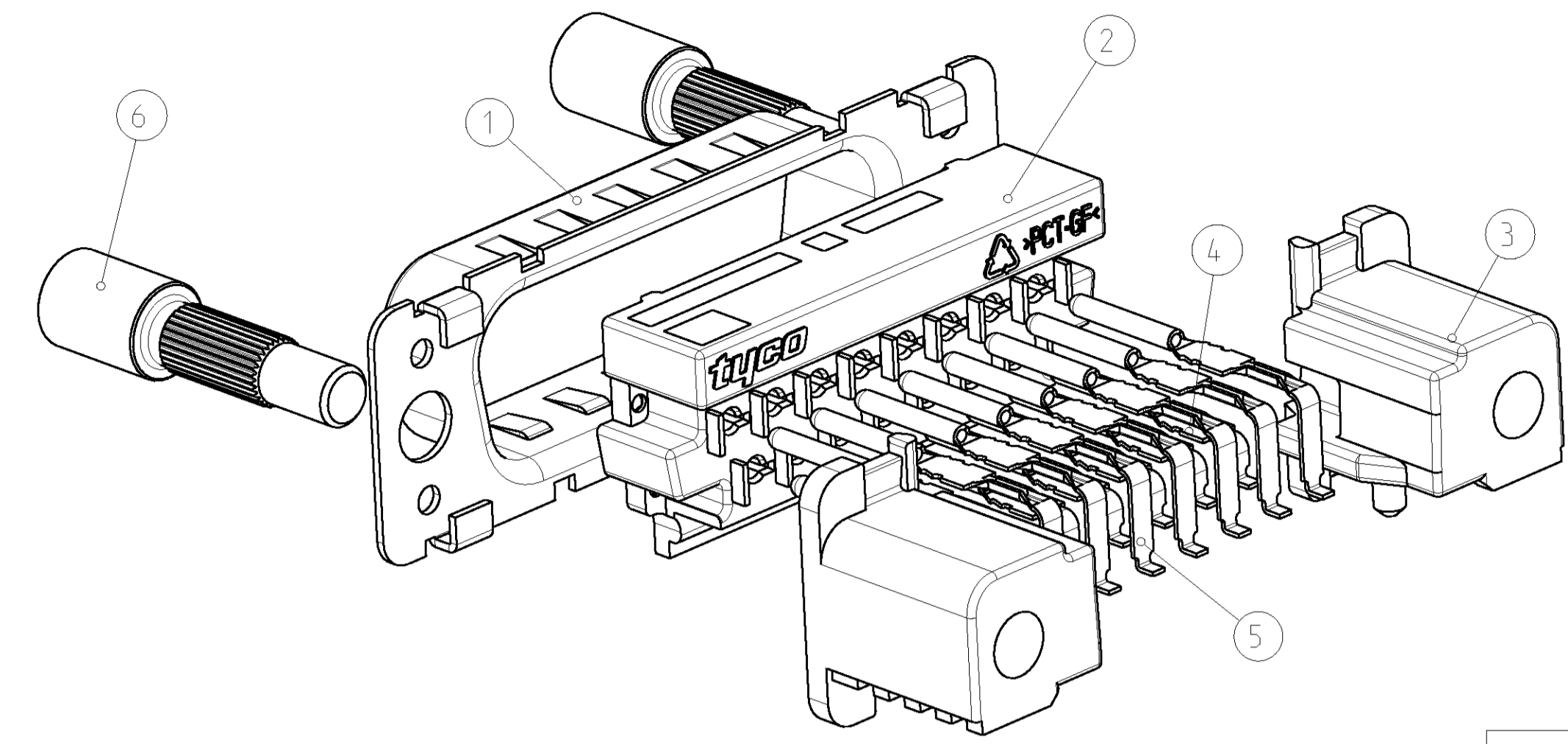
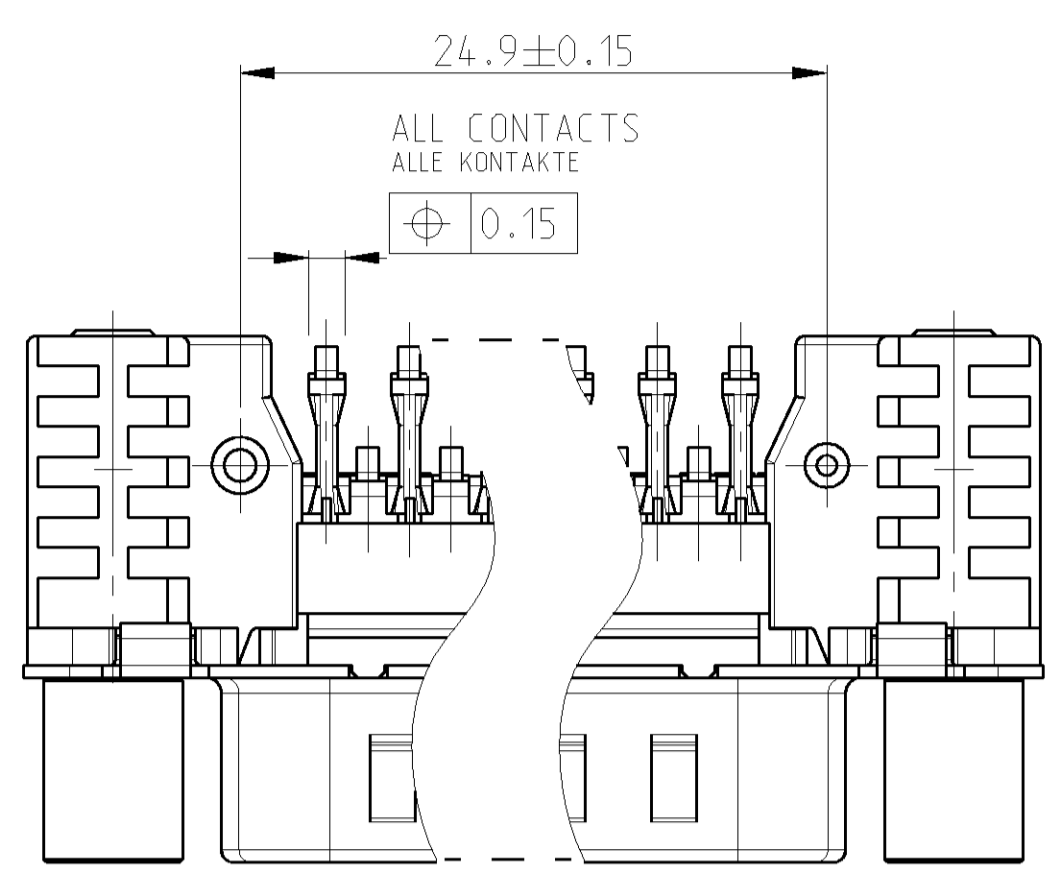
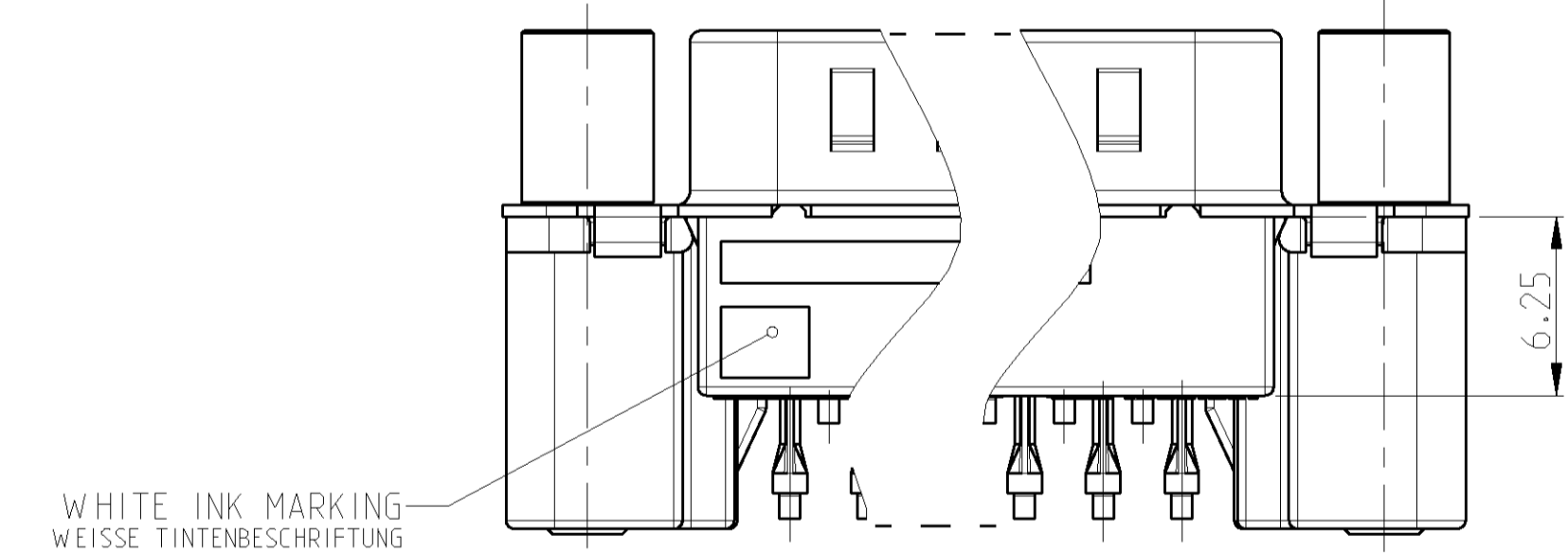
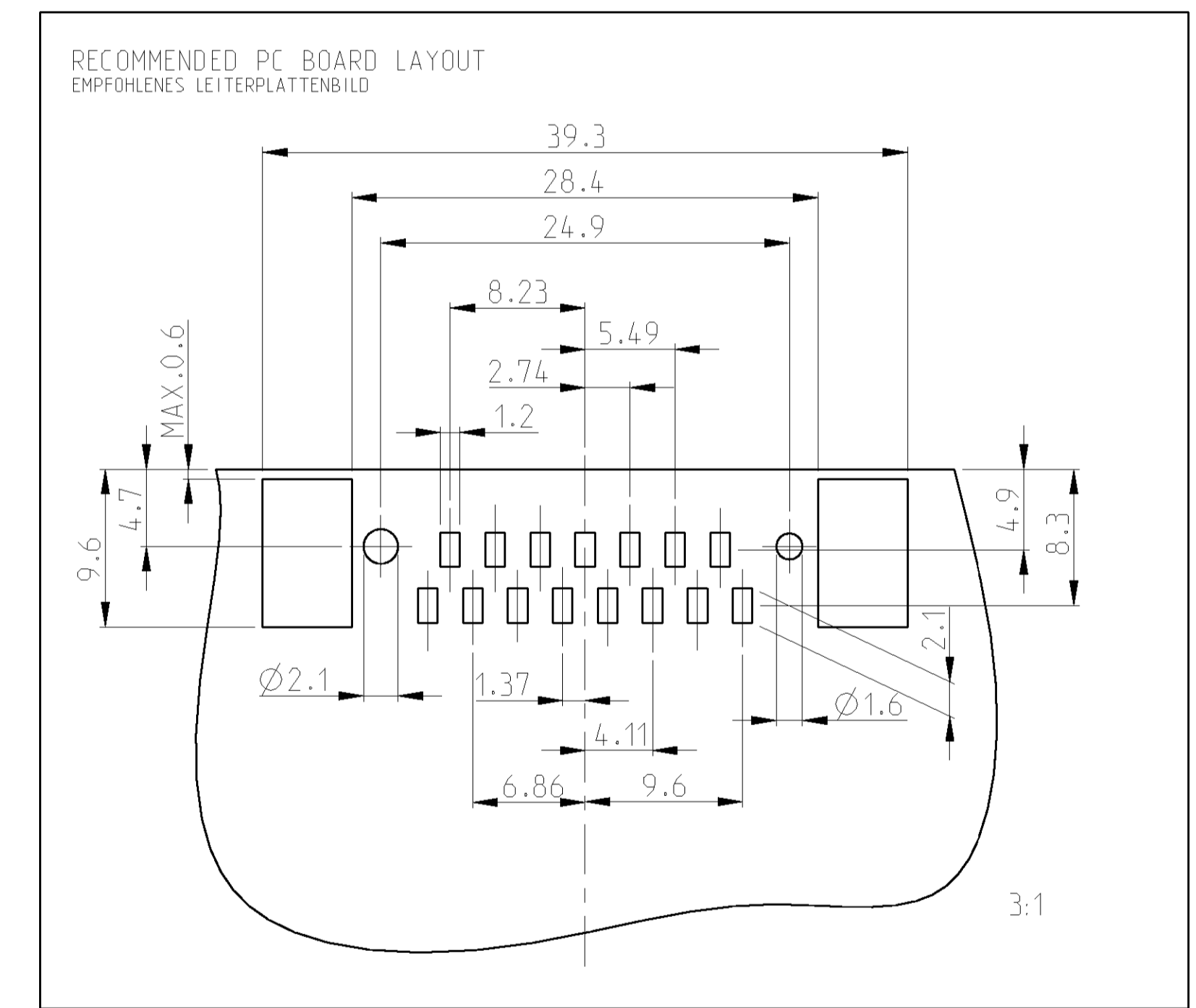
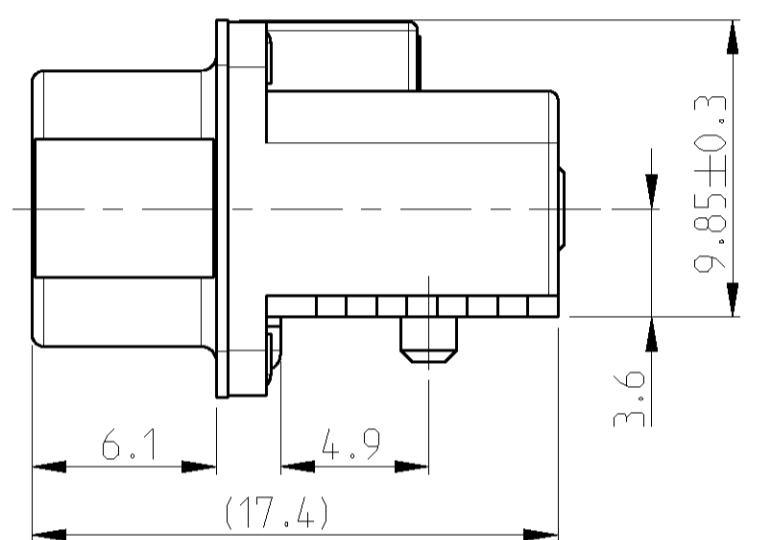
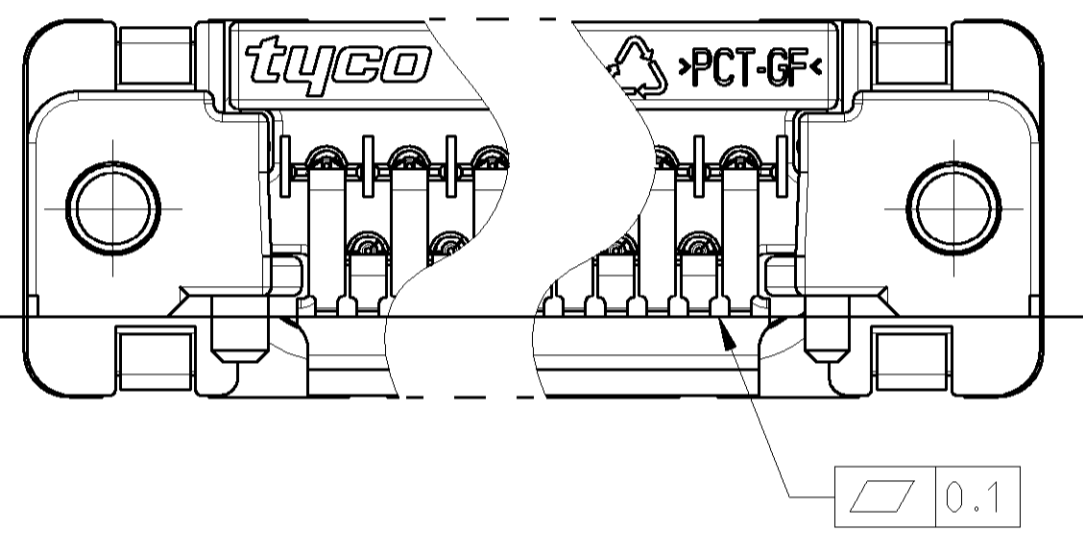


LOC	DIST	P	LTR	REVISIONS	DATE	BY	APPD
				ÄNDERUNGEN			
				BESCHREIBUNG			
A1	-			NEW DRAWING	30NOV2004	L.S.	G.F.
				VERSIONS XXX-5 ADDED	10NOV2005	L.S.	M.S.

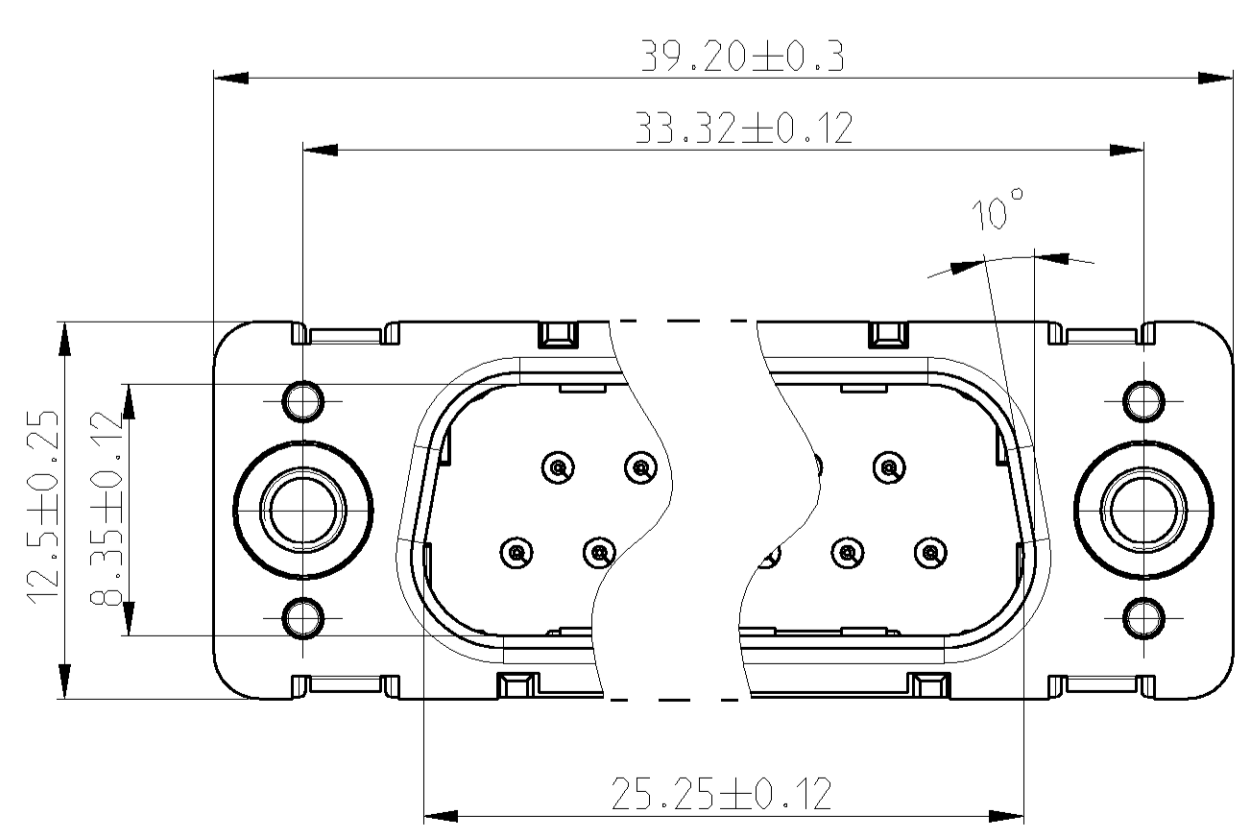


PIN HEADER; 15 POS.; STUD WITH THREAD M3	4-1740197-2	4-1740197-5
PIN HEADER; 15 POS.; BRACKET WITH THREAD M3	2-1740197-2	2-1740197-5
PIN HEADER; 15 POS.; STUD WITH THREAD UNC 4/40	3-1740197-2	3-1740197-5
PIN HEADER; 15 POS.; BRACKET WITH THREAD UNC4-40	1-1740197-2	1-1740197-5
PIN HEADER; 15 POS.; BRACKET WITH HOLE Ø3.1	0-1740197-2	0-1740197-5
DESCRIPTION	SHELL PLATING: TIN OVER NI	SHELL PLATING: NI



REMARKS:
 ▲ CONTACT AREA: min. 0.8µm Au OVER 1.27 µm Ni ;
 SOLDER AREA: 3-5 µm Sn OVER min. 1.27 µm Ni
 2 PACKAGING SEE SHEET 2
 3 CONNECTOR SUITABLE TO LEAD-FREE SMT SOLDER PROCESS
 ▲ TIN OVER NICKEL

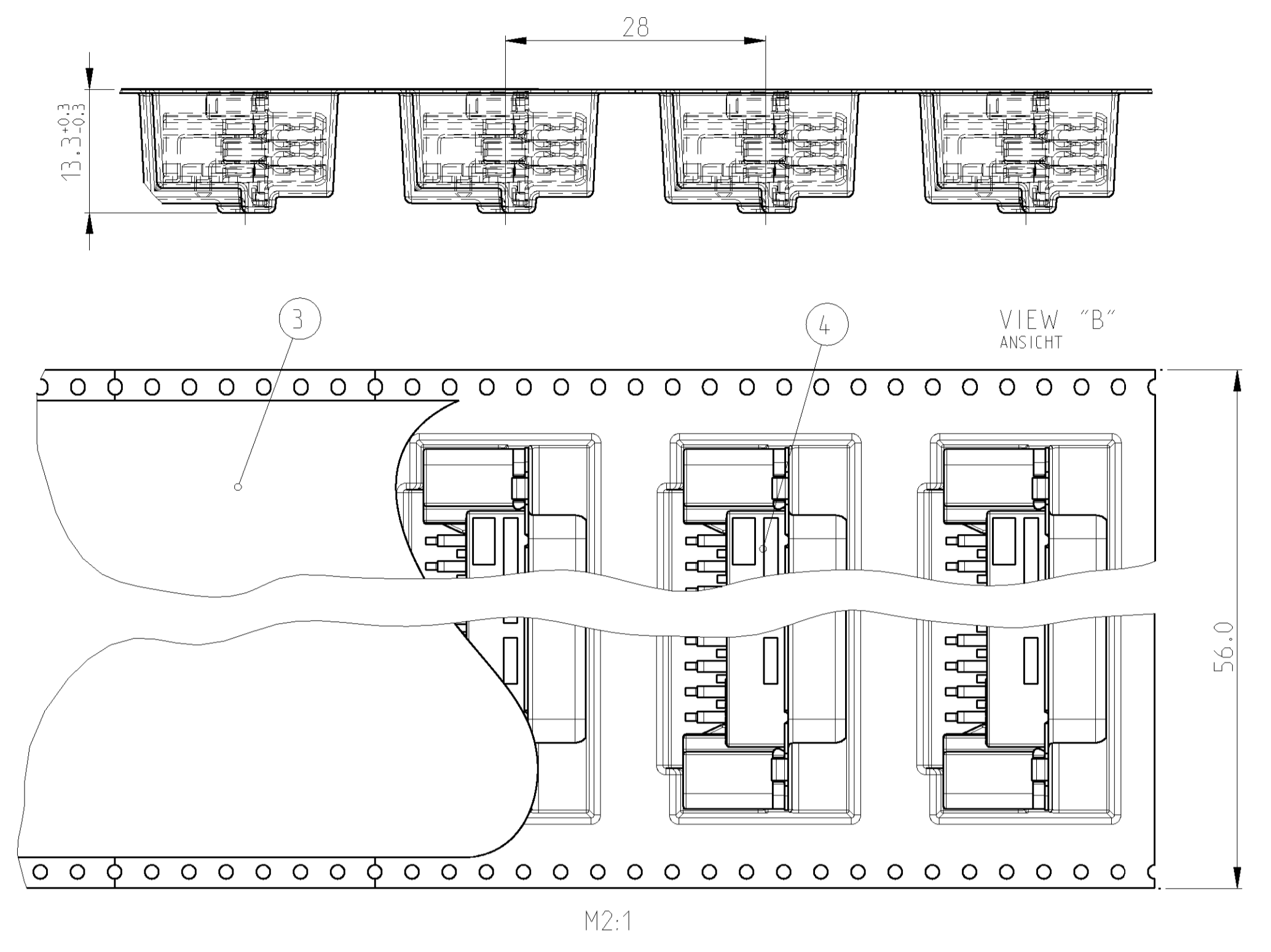
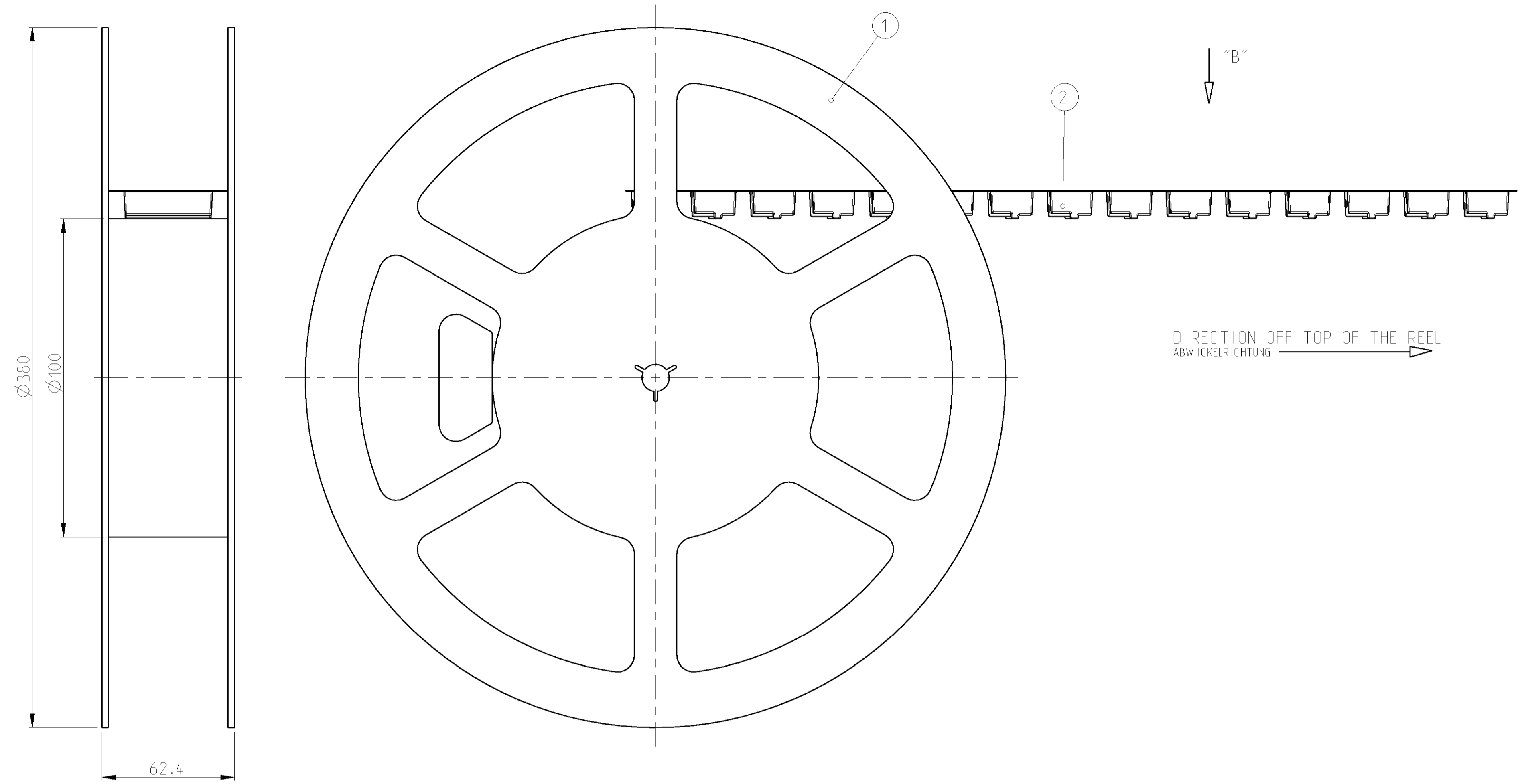
BEMERKUNGEN:
 ▲ KONTAKTBEREICH: min. 0,8µm Au ÜBER 1,27 µm Ni;
 LÖTBEREICH: 3-5 µm Sn ÜBER min. 1,27 µm Ni
 2 VERPACKUNGSART SIEHE BLATT 2
 3 STECKER GEEIGNET FÜR BLEIFREIES LÖTEN
 ▲ ZINN ÜBER NICKEL



POS.	QTY.	DESCRIPTION BENENNUNG	SURFACE OBERFLÄCHE COLOUR/FARBE	MATERIAL
6	2	THREAD STUD GEWINDEBOLZEN	NICKEL	STEEL STAHL
5	8	PIN CONTACT, SMD, LONG STIFTKONTAKT, SMD, LANG	▲	CuMg
4	7	PIN CONTACT, SMD, SHORT STIFTKONTAKT, SMD, KURZ	▲	CuMg
3	2	BRACKET, SMD, LEFT/RIGHT WINKELSTÜCK, SMD, LINKS/RECHTS	▲	CAST METAL DRUCKGUSS
2	1	PIN HOUSING STIFTGEHÄUSE	BLACK SCHWARZ	PCT-GF
1	1	SHELL SCHIRMBLECH	SEE TABLE SIEHE TABELLE	STEEL STAHL

DIMENSIONS: MASSENHEITEN: (MM)	TOLERANCES, UNLESS OTHERWISE SPECIFIED: ALLGEMEINTOLERANZEN	DWG: L. SCHLUETER CHK: M. SCHAARBSCHMIDT	DATE: 30NOV2004 01DEC2004	tyco Electronics	Tyco Electronics AMP GmbH D - 64625 Bensheim
0 PLC ± 1 PLC ± 2 PLC ± 3 PLC ± 4 PLC ±	0.2	NAME: HD20 PIN HEADER; EUROSTYLE; SMT; 15 POS. HD20 STIFTLISTE; EUROSTYLE; SMT; 15 POL.	SIZE: A1 CAGE CODE: 00779 DRAWING NO: 1740197	RESTRICTED TO MR. PIER	SCALE: 4:1 SHEET: 1 OF 2 REV: A2
MATERIAL: SEE TABLE S-TABELLE	FINISH/SCHICHTEN/FARBE: SEE TABLE S-TABELLE	WEIGHT: GEWICHT	CUSTOMER DRAWING	CUSTOMER DRAWING	SCALE: 4:1 SHEET: 1 OF 2 REV: A2

LOC	DIST	REVISIONS			
P	LTR	DESCRIPTION	DATE	DRN	APVD
-	-	SEE SHEET 1	-	-	-



REMARKS:

- COVER TAPE WITH BLISTER BELT WELDED OR PASTED
- BLISTER BELT, COVER AND TAPE ACC. TO DIN/IEC 286 PART 3
- FIRST AND LAST RUNNING OF THE CARRIER TAPE ACC. TO DIN/IEC 286 PART 3
- 7.0m BLISTERBELT AND 7.1m COVER TAPE, 225 LOOSE PIECE PARTS

BEMERKUNGEN:

- ABDECKBAND MIT BLISTERGURT VERSCHWEIßT ODER VERKLEBT
- BLISTERGURT, ABDECKBAND UND REEL NACH DIN/IEC 286 TEIL 3
- VOR- UND NACHLAUF AM BLISTERGURT NACH DIN/IEC 286 TEIL 3
- 7.0m BLISTERGURT UND 7.1m ABDECKBAND, 225 EINZELTEILE

4-1740197-5	3-1740197-5	2-1740197-5	1-1740197-5	0-1740197-5
4-1740197-2	3-1740197-2	2-1740197-2	1-1740197-2	0-1740197-2

TYCO ORDER NO. BESTELL-NR.	POS.						DESCRIPTION BENENNUNG	SURFACE OBERFLAECHE COLOUR/FARBE	MATERIAL
		4	225	-	-	-			
4	-	225	-	-	-	SUB-D PIN HEADER, 15 POS., STUD UNC4-40 SUB-D STIFTSTECKER, 15 POL., BOLZEN UNC4-40	-	-	
4	-	-	225	-	-	SUB-D PIN HEADER, 15 POS., M3 SUB-D STIFTSTECKER, 15 POL., M3	-	-	
4	-	-	-	225	-	SUB-D PIN HEADER, 15 POS., UNC4-40 SUB-D STIFTSTECKER, 15 POL., UNC4-40	-	-	
4	-	-	-	-	225	SUB-D PIN HEADER, 15 POS. SUB-D STIFTSTECKER, 15 POL.	-	-	
3	7.1m	7.1m	7.1m	7.1m	7.1m	COVER BELT FOR BLISTER BELT ABDECKBAND FÜR BLISTERGURT	TRANSPARENT	PET	
2	7m	7m	7m	7m	7m	BLISTER BELT BLISTERGURT	GREY/BLACK GRAU/SCHWARZ	PS	
1	1	1	1	1	1	REEL-PACKING MEHRWEGSPULE	GREY GRAU	PS	

DIMENSIONS: mm		TOLERANCES UNLESS OTHERWISE SPECIFIED:		DRN: 30NOV2004		Tyco Electronics AMP GmbH D - 64625 Bensheim	
		0 PLC ± 1 PLC ± 2 PLC ± 3 PLC ± 4 PLC ± ANGLES ± FINISH		DWG: L. SCHLUETER CHK: M. SCHAARBSCHMIDT APVD: F. FELDMEIER		NAME: HD20 PIN HEADER; EUROSTYLE; SMT; 15 POS. HD20 STIFTLISTE; EUROSTYLE; SMT; 15 POL.	
MATERIAL: -		FINISH: -		PRODUCT SPEC: - APPLICATION SPEC: - WEIGHT: -		SIZE: A1 CAGE CODE: 00779 DRAWING NO: C=1740197	
CUSTOMER DRAWING				SCALE: 5:1		SHEET 2 OF 2 REV: A2	